

2004 ACCESSORIES & EQUIPMENT**Exterior Trim - Hummer H2****SPECIFICATIONS****FASTENER TIGHTENING SPECIFICATIONS****Fastener Tightening Specifications**

Application	Specification	
	Metric	English
Brush Guard Bolt	50 N.m	37 lb ft
Grille Retaining Nut	9 N.m	80 lb in
Quarter Panel Upper Applique Screw	3 N.m	26 lb in
Wheel Flare Front Retaining Screws	3 N.m	26 lb in
Wheel Flare Rear Retaining Screws	3 N.m	26 lb in
Windshield Pillar Reveal Molding	3 N.m	26 lb in

REPAIR INSTRUCTIONS**EMBLEM/NAMEPLATE REPLACEMENT - DOOR**

IMPORTANT: Apply emblems in an environment that is free from dust or other foreign material that can come in contact with the adhesive backing. The dirt can cause improper adhesion.

1. Clean the area where you will mount the molding or the emblem.

Use a suitable solvent, such as mixture of 50 percent alcohol and 50 percent water or an equivalent mixture, in order to clean the areas.

2. Dry the areas thoroughly.
3. Ensure that the area is at room temperature 17-32°C (60-90°F).
4. Ensure that the moldings are at room temperature 17-32°C (60-90°F). Place the moldings or the emblem, with the adhesive side down, on a heated surface or use a heat gun or a heat lamp if needed.
5. Remove the protective liner from the back of the molding or the emblem.

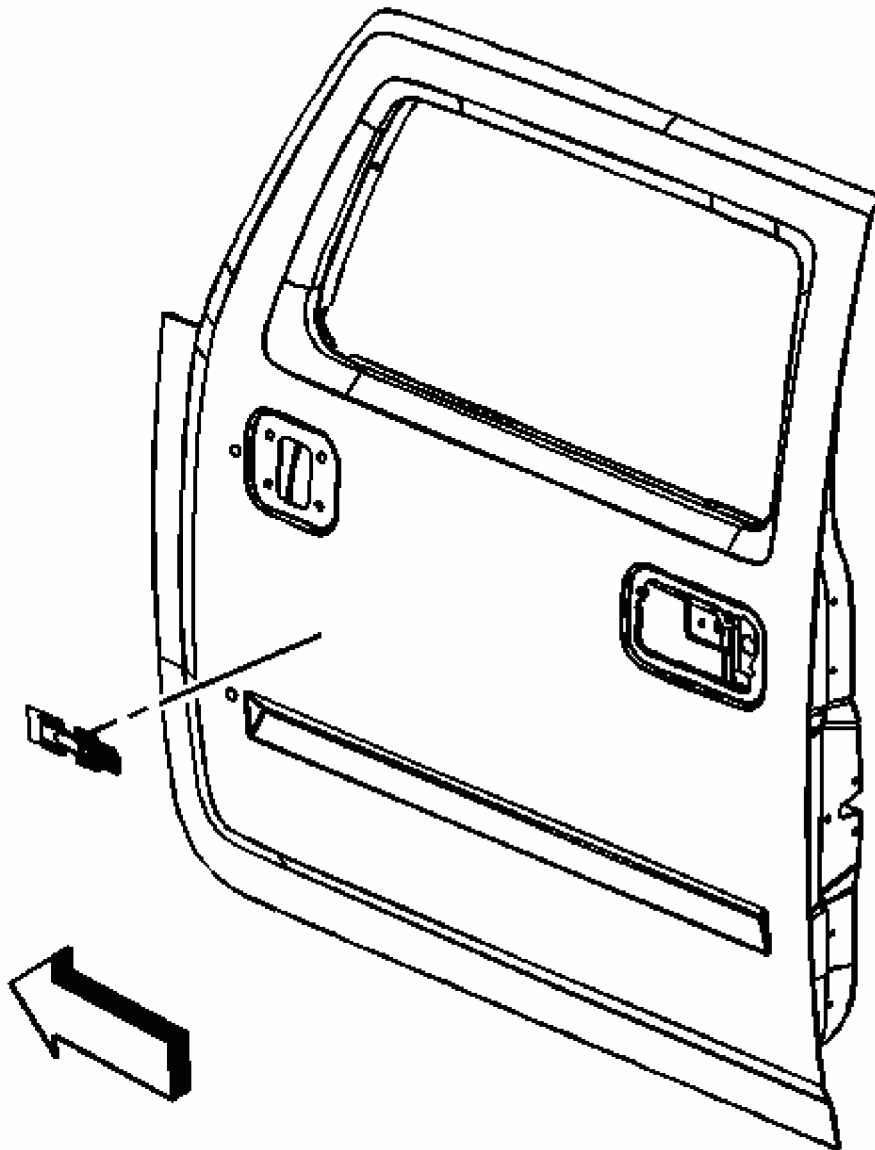


Fig. 1: Applying Pressure To Nameplate/Emblem
Courtesy of GENERAL MOTORS CORP.

6. Apply pressure to the nameplate/emblem in order to wet out the adhesive.
7. Apply equal pressure along the molding or the emblem in order to uniformly bond the item to the body surface. Use a wallpaper roller in order to assist in proper wet-out adhesive.

Removal Procedure

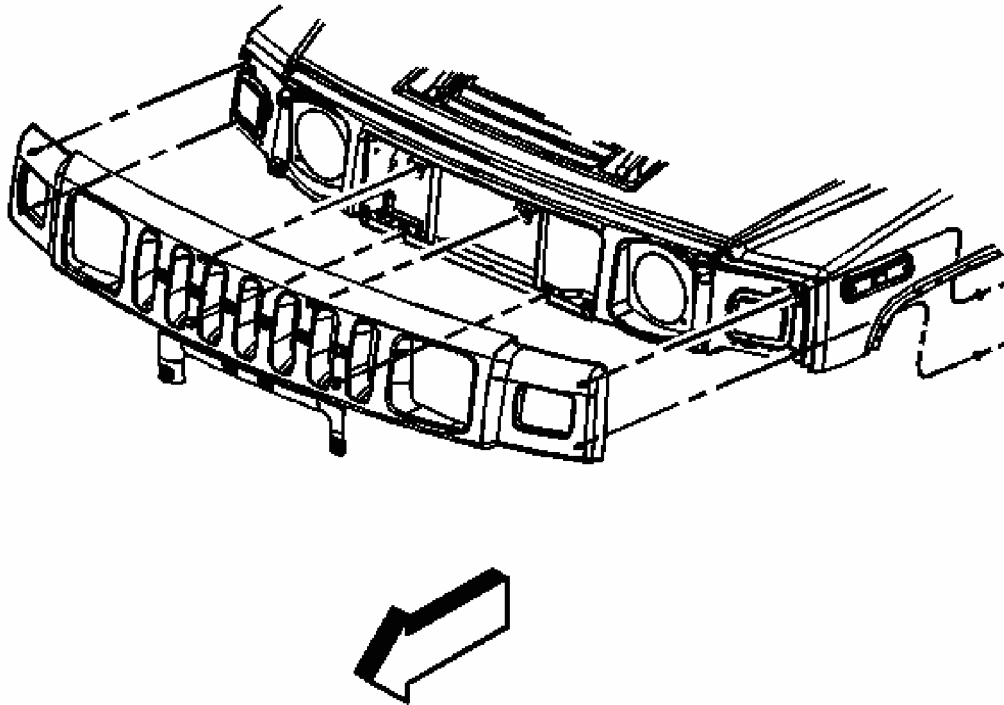


Fig. 2: Hood Grille
Courtesy of GENERAL MOTORS CORP.

1. Open the hood.
2. Remove the nuts retaining the grille to the hood.
3. Apply outward pressure to the grille to disengage the retaining clips.
4. Remove the grille from the vehicle.

Installation Procedure

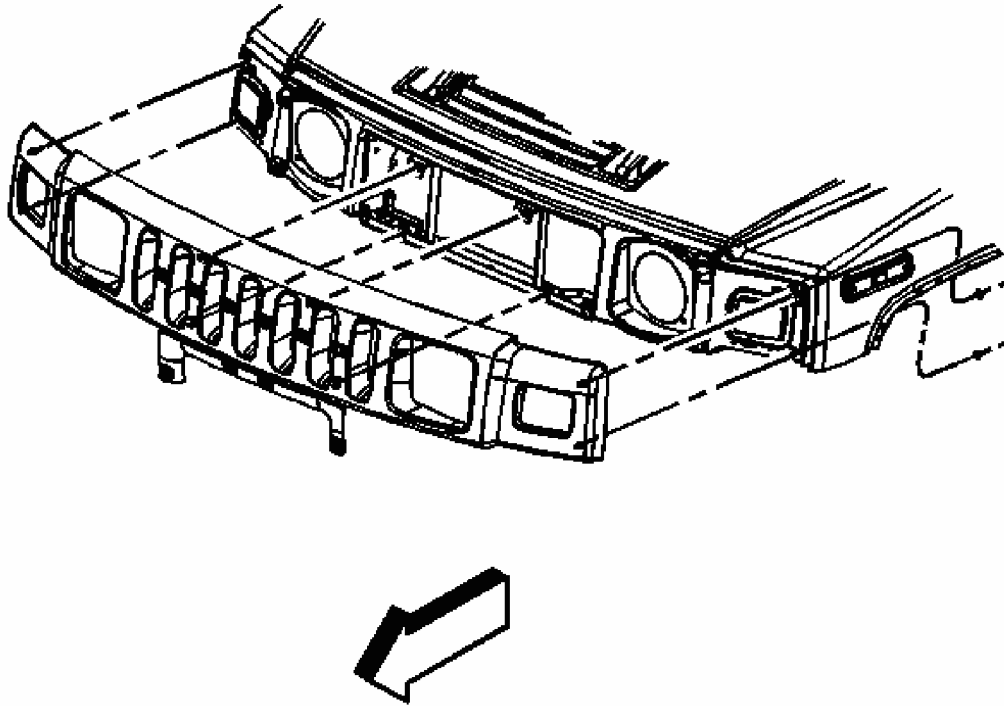


Fig. 3: Hood Grille
Courtesy of GENERAL MOTORS CORP.

1. Install the grille to the vehicle.
2. Line up the studs to the mounting holes in the hood.
3. Apply inward pressure to the grille to engage the retaining clips.

NOTE: Refer to Fastener Notice in Cautions and Notices.

4. Install the nuts that are retaining the grill to the hood.

Tighten: Tighten the nuts to 9 N.m (80 lb in).

5. Close the hood.

GRILLE REPLACEMENT - HOOD AIR

Removal Procedure

1. Open the hood.

2. Remove the hood insulator. Refer to **Hood Insulator Replacement** in Body Front End.

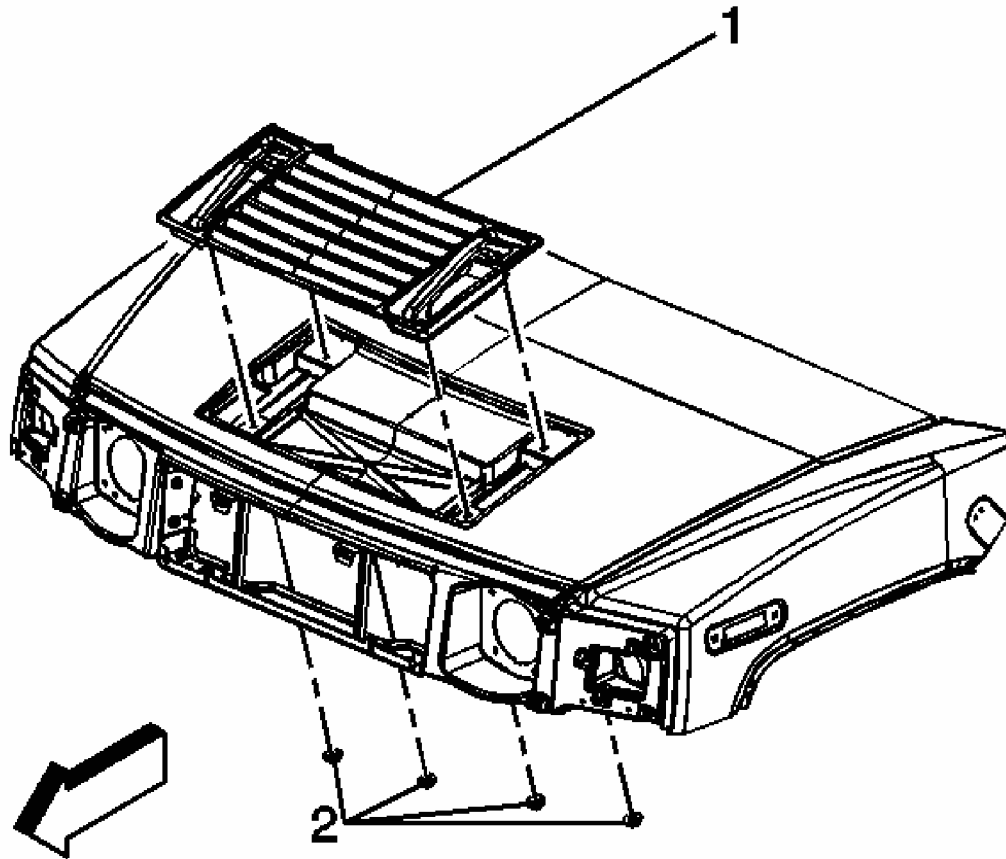


Fig. 4: Hood Air Grille

Courtesy of GENERAL MOTORS CORP.

3. Remove the 4 nuts (2) retaining the grille to the hood.
4. Remove the grille (1) from the hood.

Installation Procedure

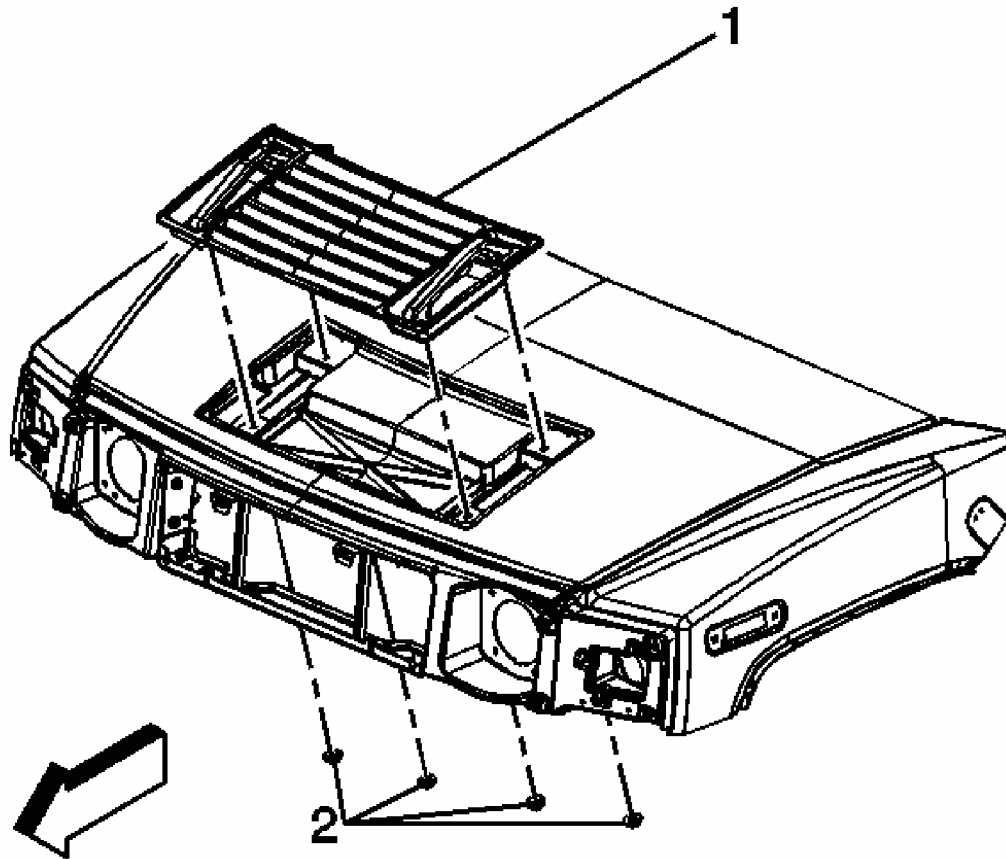


Fig. 5: Hood Air Grille
Courtesy of GENERAL MOTORS CORP.

1. Align the hood air grille (1) to the hood.

NOTE: Refer to **Fastener Notice in Cautions and Notices.**

2. Install the nuts (2) retaining the grille to the hood.

Tighten: Tighten the nuts to 9 N.m (7 lb ft).

3. Install the hood insulator. Refer to **Hood Insulator Replacement** in Body Front End.
4. Close the hood.

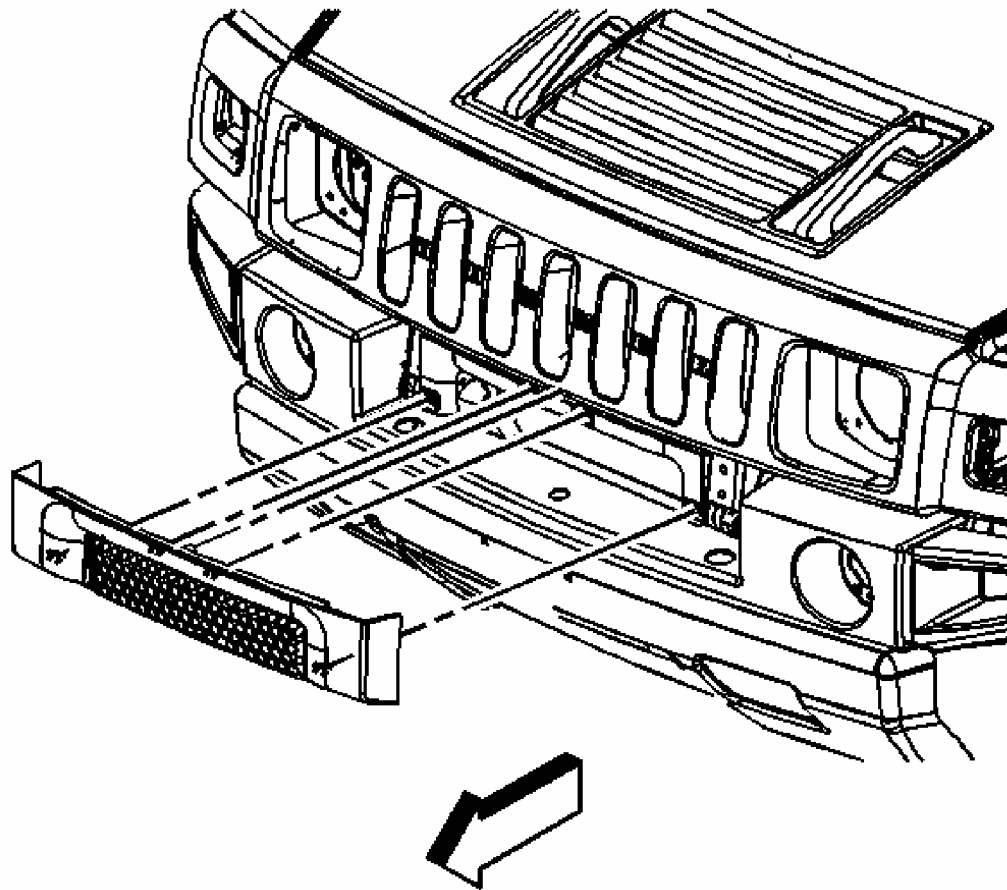


Fig. 6: Lower Hood Grille
Courtesy of GENERAL MOTORS CORP.

1. Apply outward pressure to the grille to disengage the retaining clips.
2. Remove the lower grille from the vehicle.

Installation Procedure

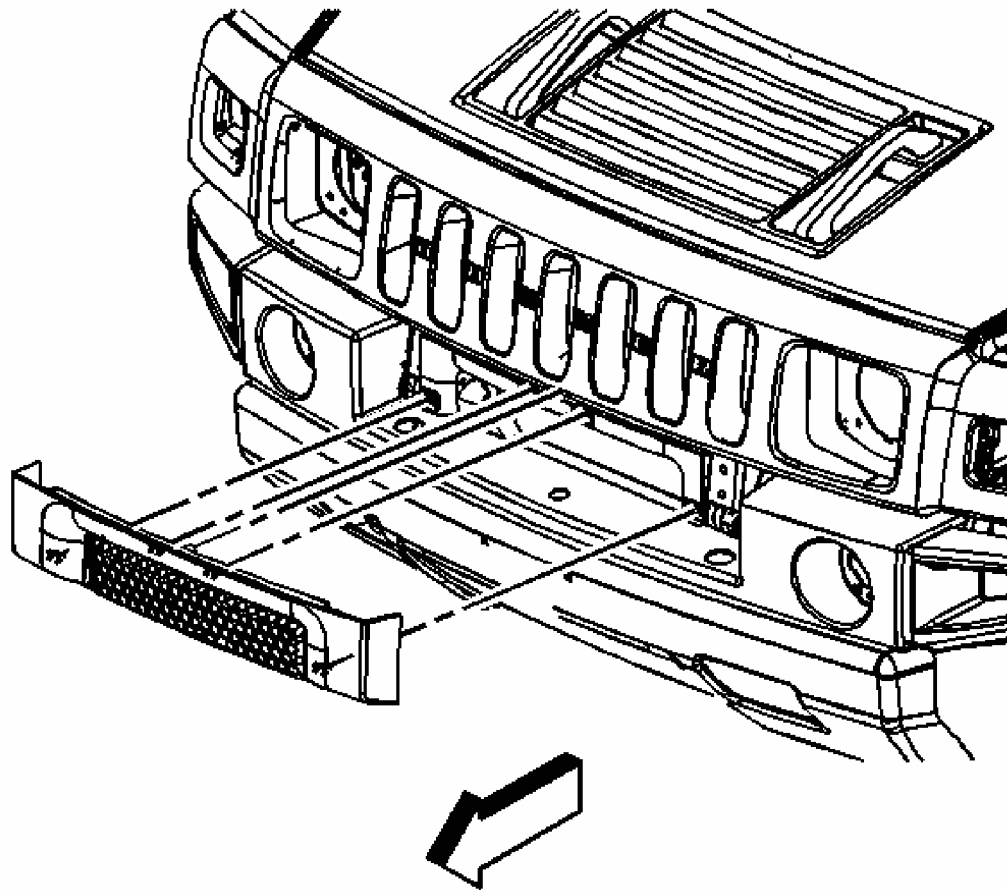


Fig. 7: Lower Hood Grille
Courtesy of GENERAL MOTORS CORP.

1. Install the lower grille to the vehicle.
2. Apply inward pressure to the grille to engage the retaining clips.

AIR INLET GRILLE PANEL REPLACEMENT - NON FUNCTIONAL

Removal Procedure

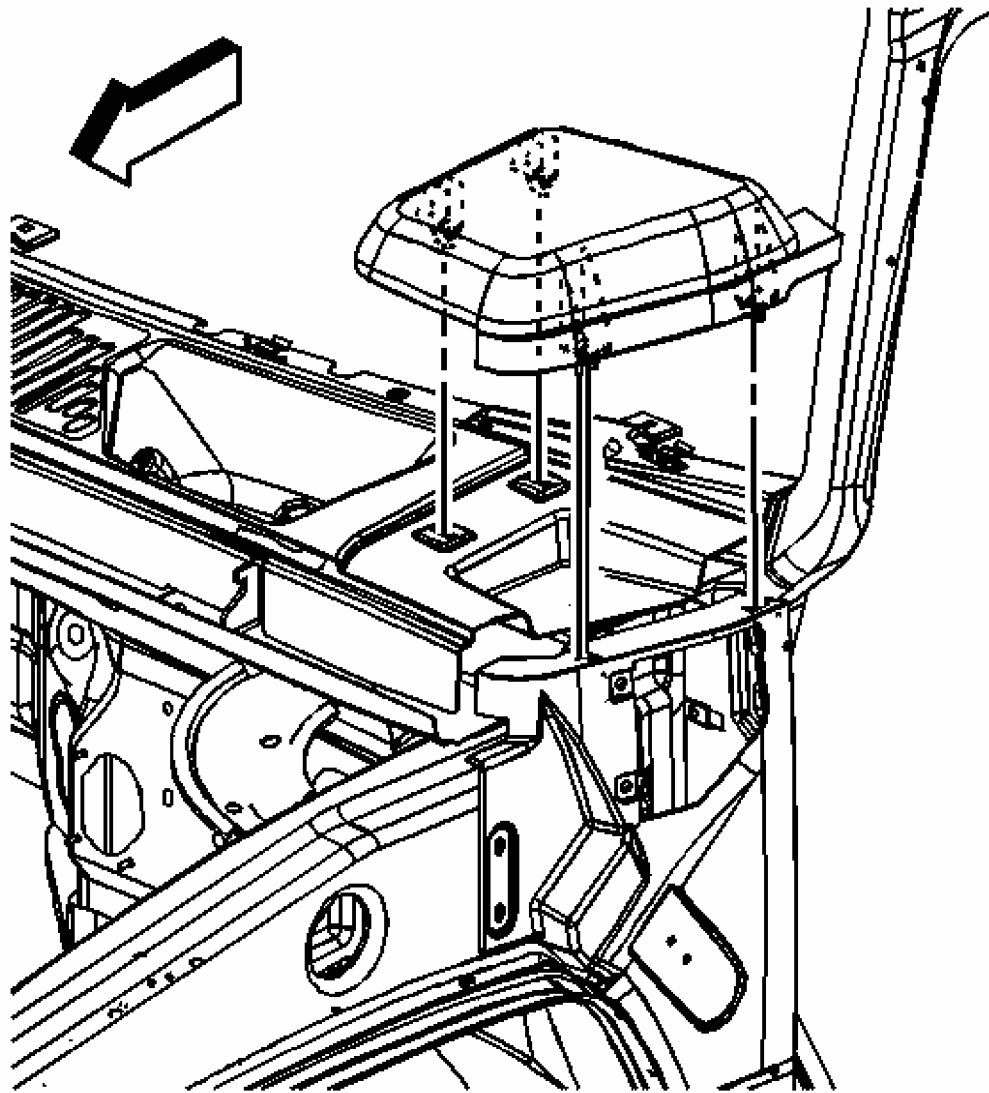


Fig. 8: Air Inlet Grille Panel
Courtesy of GENERAL MOTORS CORP.

1. Release the retainer clips on the air inlet grill panel from the vehicle by applying upward pressure to the panel.
2. Remove the air inlet grille panel from the vehicle.

Installation Procedure

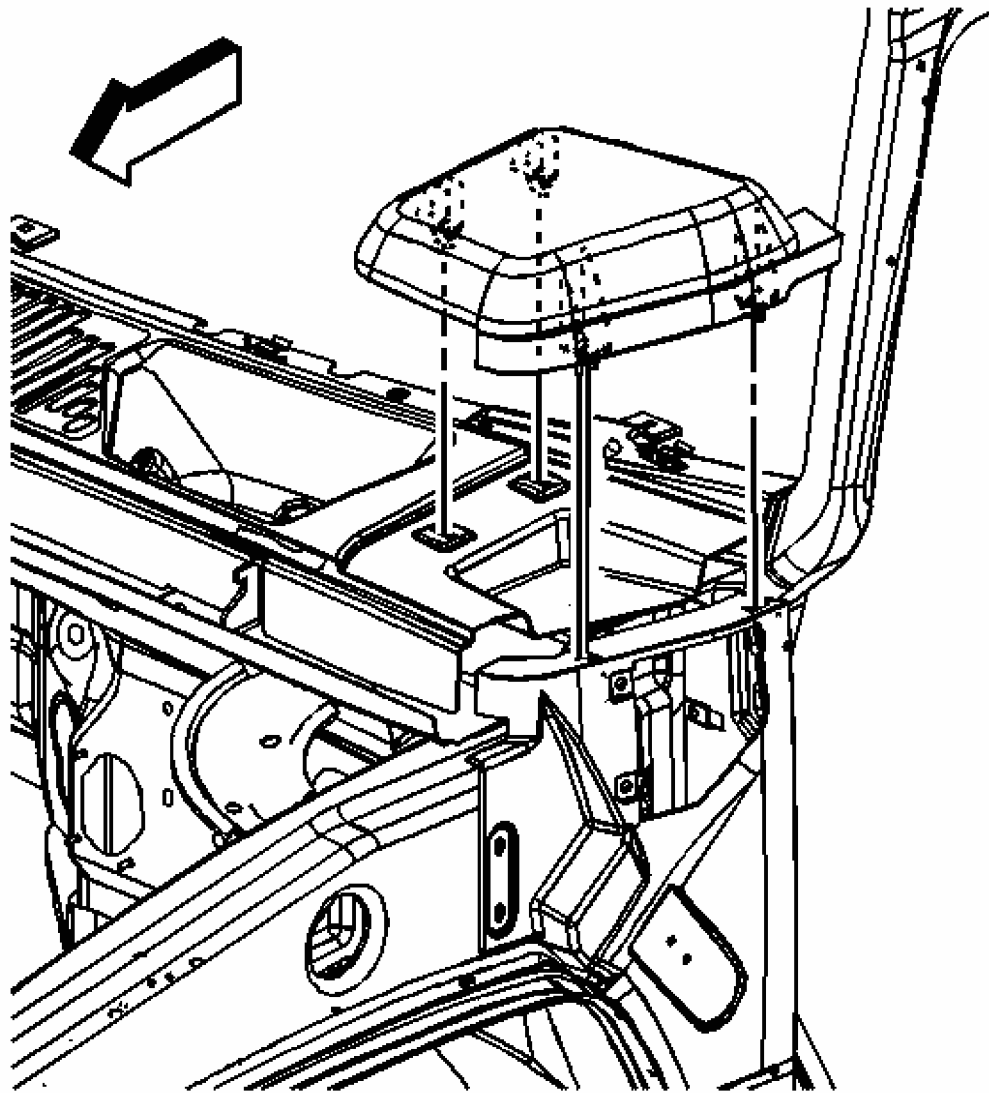


Fig. 9: Air Inlet Grille Panel
Courtesy of GENERAL MOTORS CORP.

1. Position the air inlet grille panel to the vehicle.
2. Install the air inlet grille panel to the vehicle by applying downward pressure to the panel until fully seated.

GRILLE GUARD/BRUSH GUARD REPLACEMENT

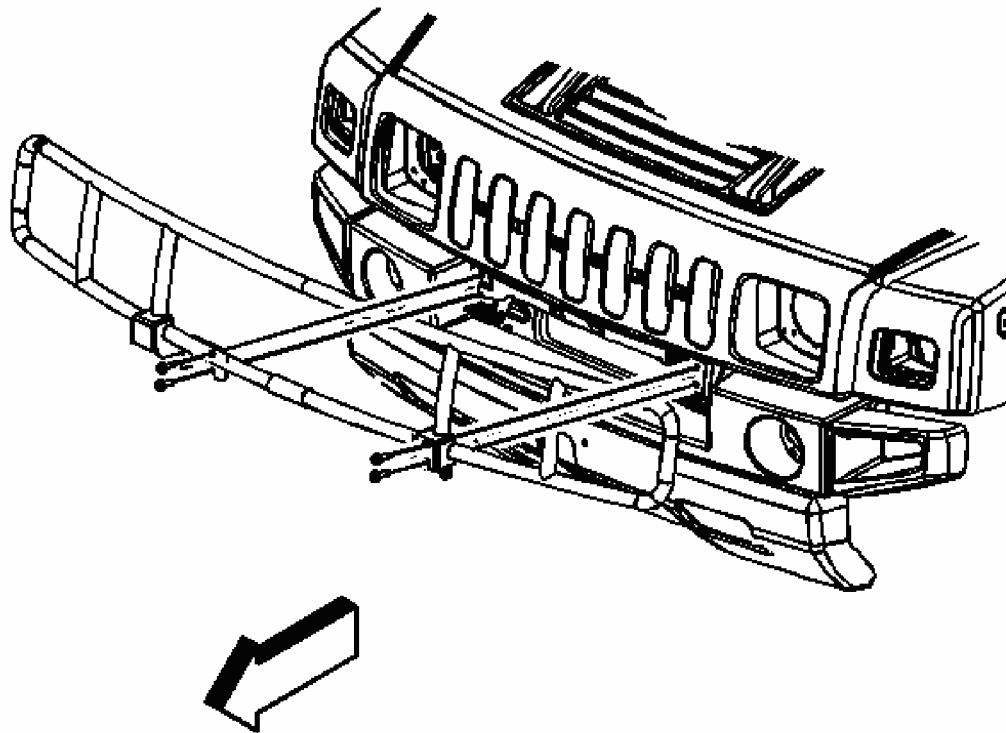


Fig. 10: Grille & Brush Guard
Courtesy of GENERAL MOTORS CORP.

1. Remove the lower grille. Refer to **Grille Replacement - Lower** .
2. Remove the bolt from the pencil brace at the hood support, if equipped.
3. Remove the bolts retaining the brush guard to the vehicle.
4. Remove the brush guard from the vehicle.

Installation Procedure

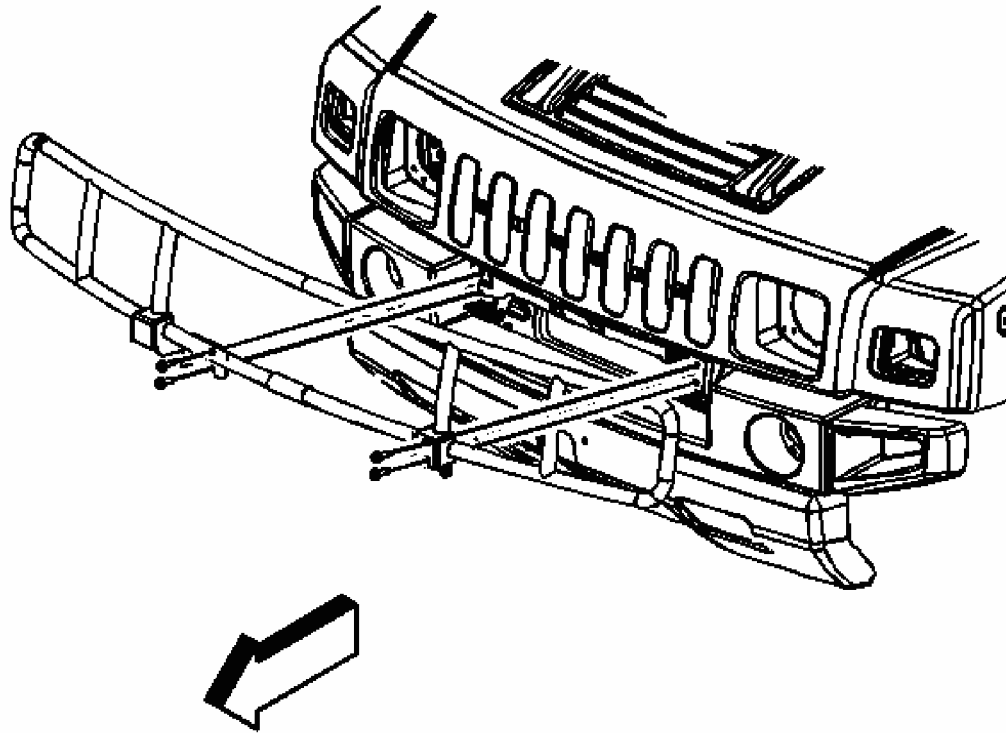


Fig. 11: Grille & Brush Guard
Courtesy of GENERAL MOTORS CORP.

1. Install the brush guard to the vehicle.

NOTE: Refer to Fastener Notice in Cautions and Notices.

2. Install the bolts retaining the brush guard to the vehicle.

Tighten: Tighten the bolts to 50 N.m (37 lb ft).

3. Install the bolt to the pencil brace at the hood support, if equipped.

Tighten: Tighten the bolt to 24 N.m (18 lb ft).

4. Install the lower grille. Refer to Grille Replacement - Lower.

1. Open the hood.

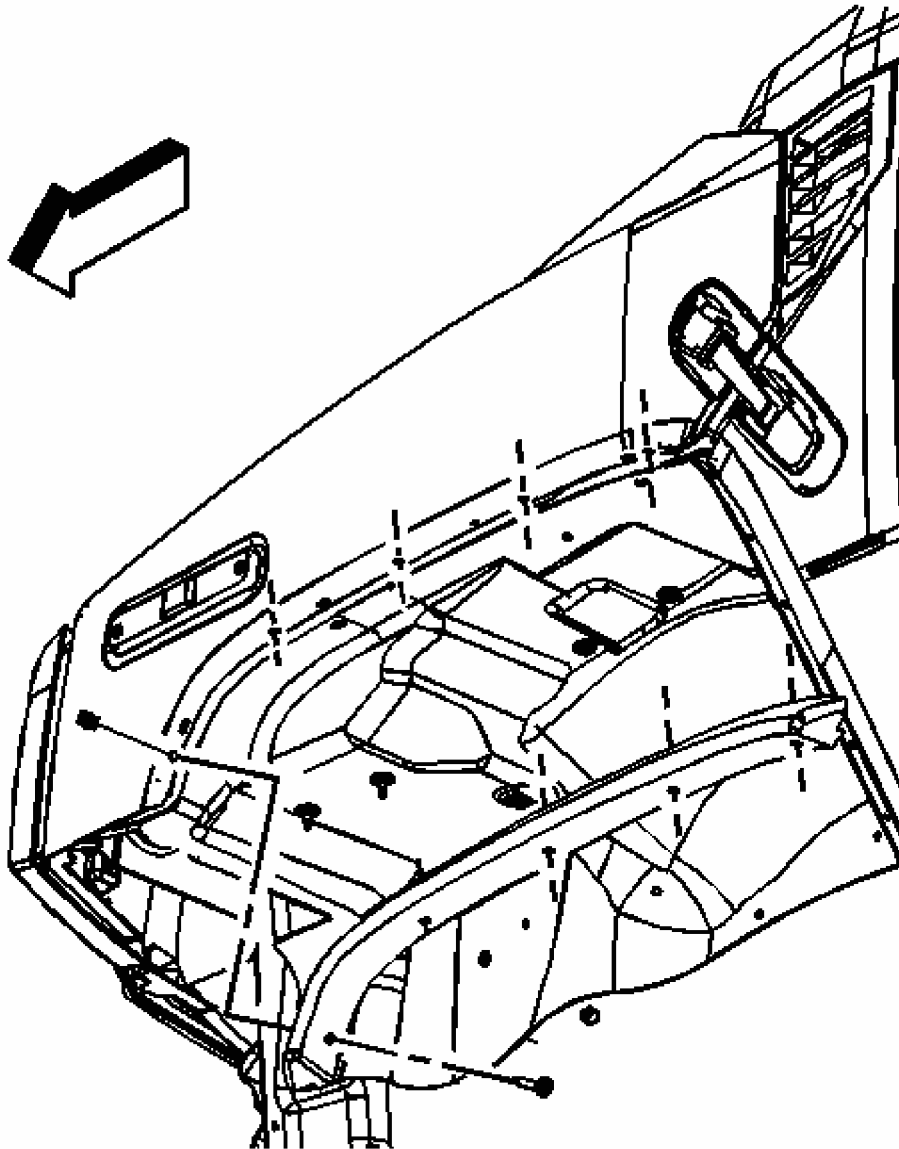


Fig. 12: Wheel Flare/Liner Retaining Screws
Courtesy of GENERAL MOTORS CORP.

2. Remove the retaining screws from the wheel flare and the wheel liner.

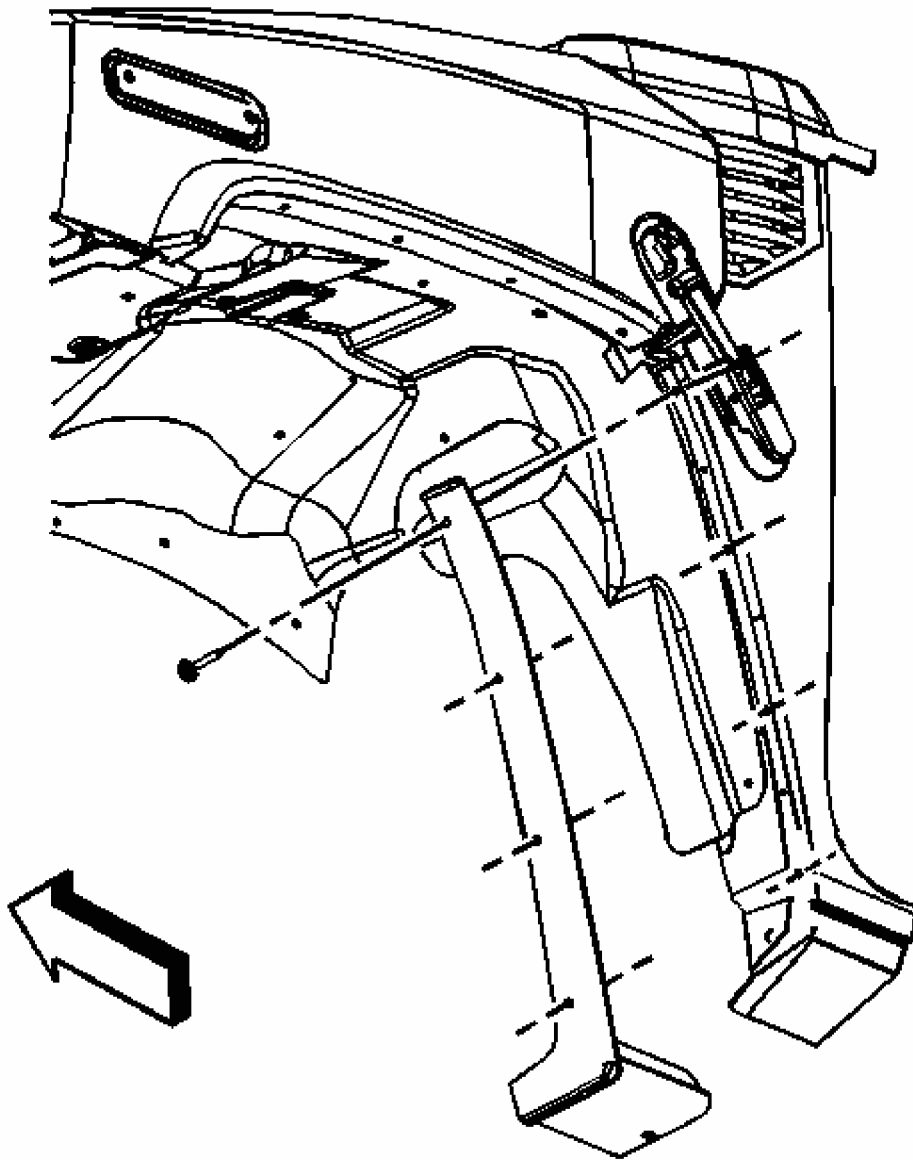


Fig. 13: Front Wheel Opening Flare
Courtesy of GENERAL MOTORS CORP.

3. Remove the push-pin retainers from the rocker protection molding.
4. Remove the wheel flare from the vehicle.

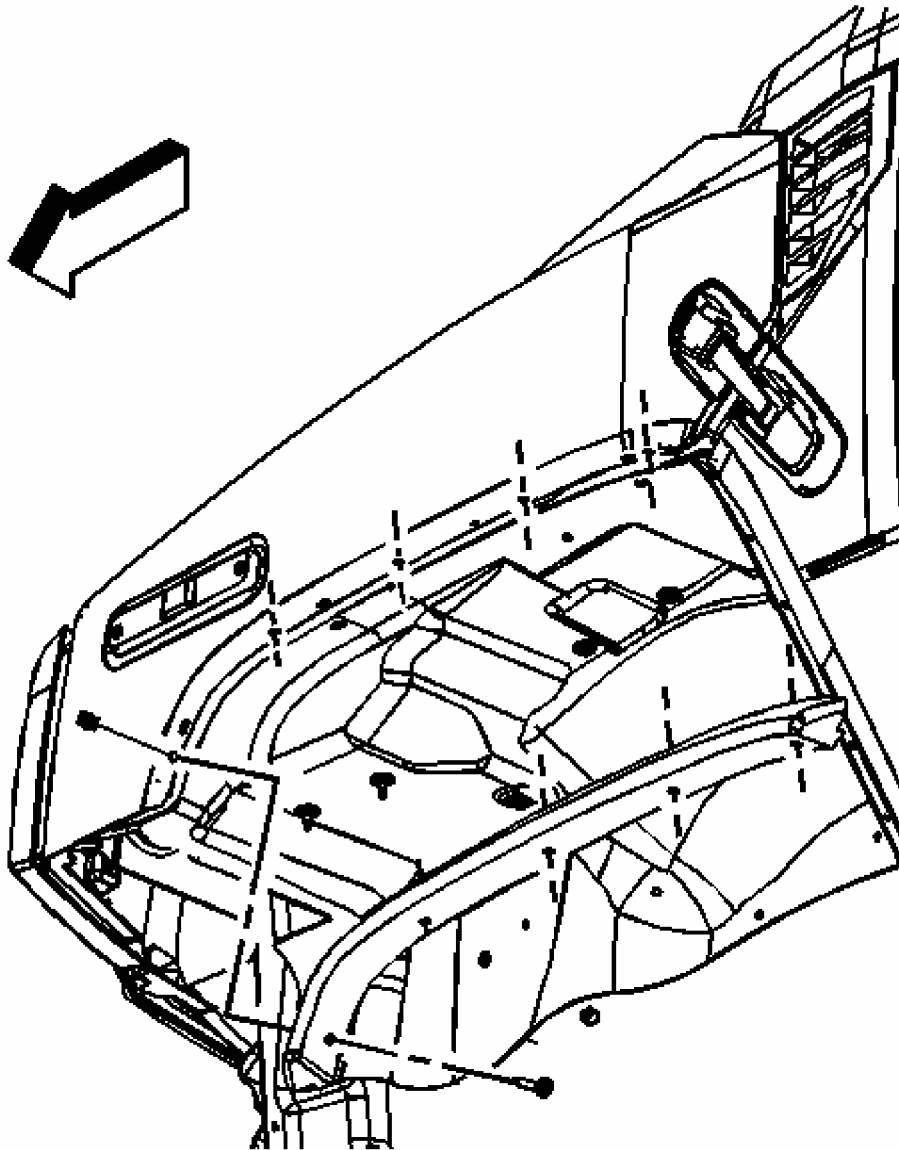


Fig. 14: Front Wheel Opening Flare
Courtesy of GENERAL MOTORS CORP.

1. Position the wheel flare to the vehicle.

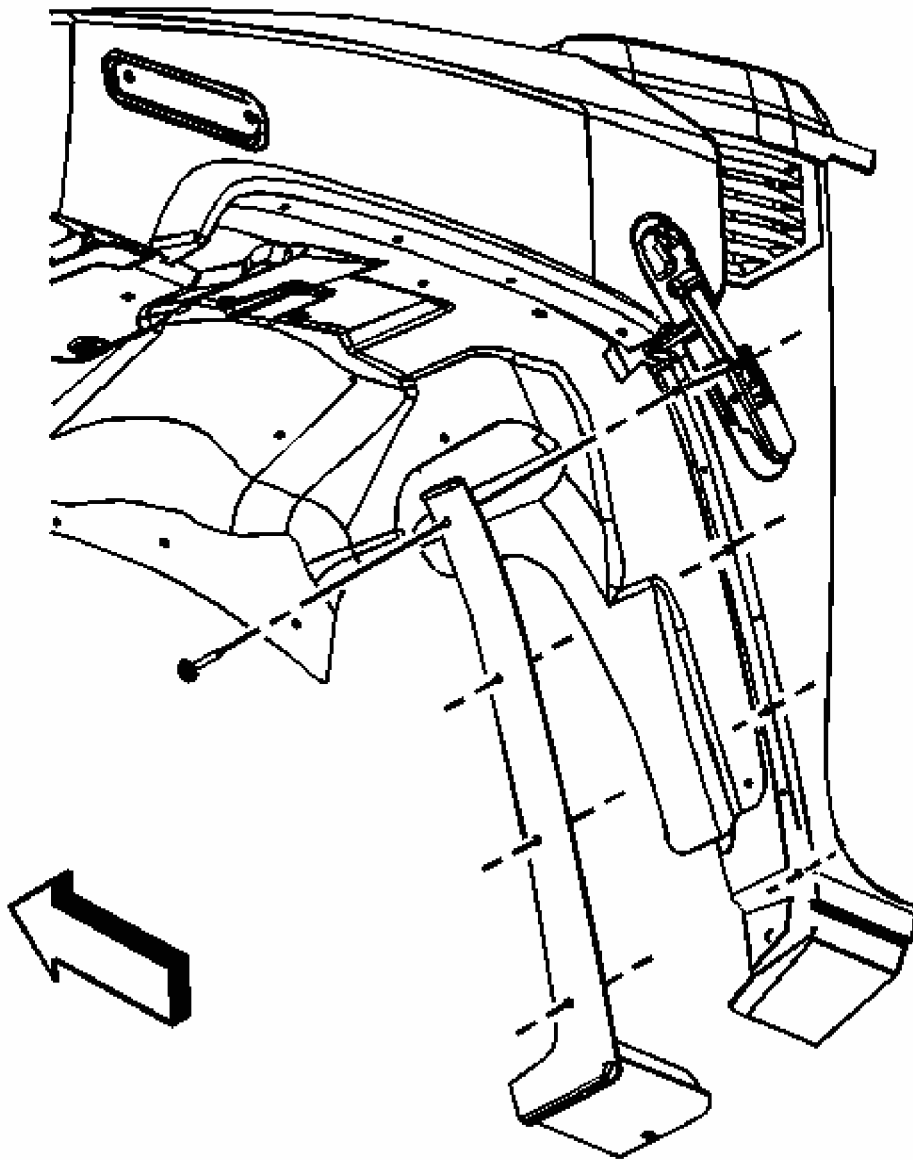


Fig. 15: Wheel Flare/Liner Retaining Screws
Courtesy of GENERAL MOTORS CORP.

2. Install the push-pin retainers to the rocker protection molding.

NOTE: Refer to Fastener Notice in Cautions and Notices.

3. Install the retaining screws to the wheel flare and the wheel liner.

Tighten: Tighten the screws to 3 N.m (26 lb in).

4. Close and secure the hood.

WHEEL OPENING FLARE REPLACEMENT - REAR (SUV)

Removal Procedure

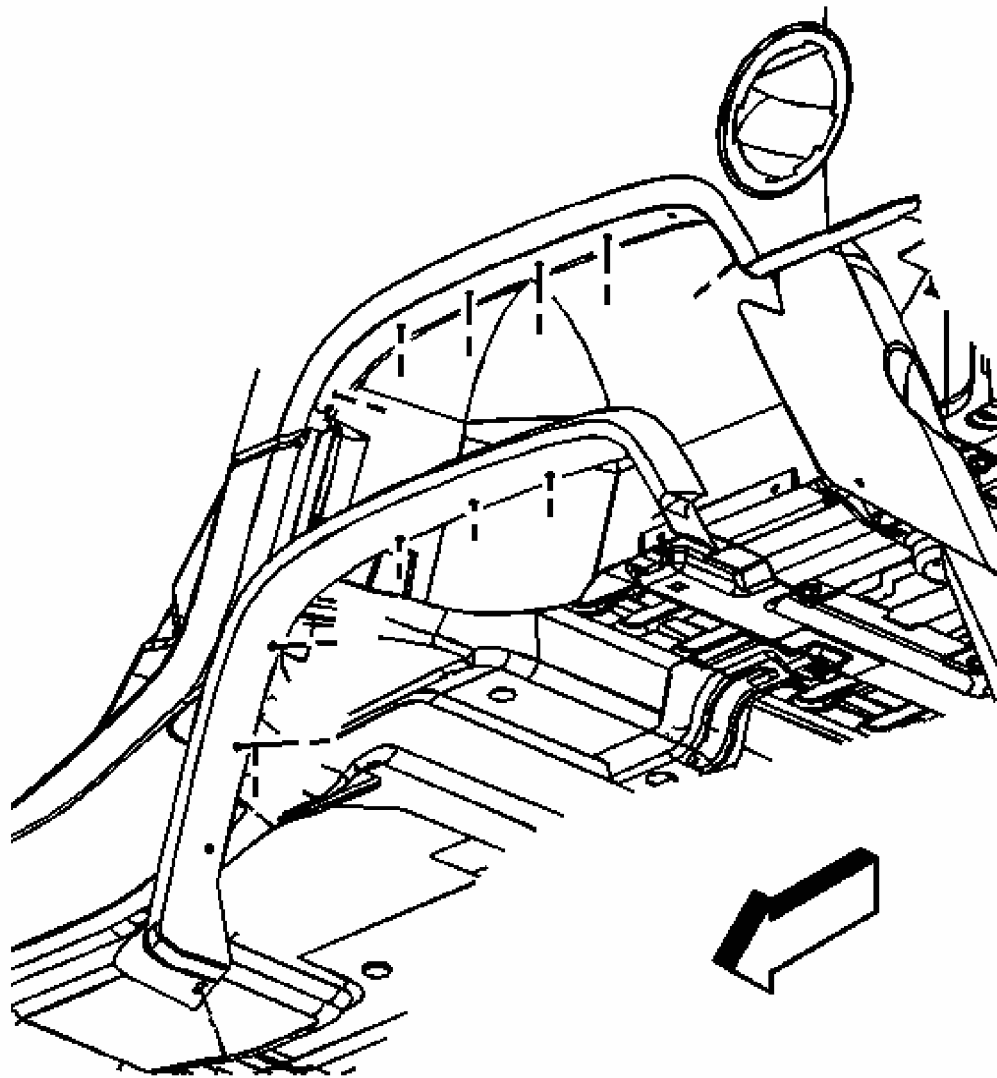


Fig. 16: Rear Wheel Opening Flare (SUV)
Courtesy of GENERAL MOTORS CORP.

1. Remove the retaining screws from the wheel flare.

2. Remove the push-pin retainer from the rocker protection molding.
3. Remove the wheel flare from the vehicle.

Installation Procedure

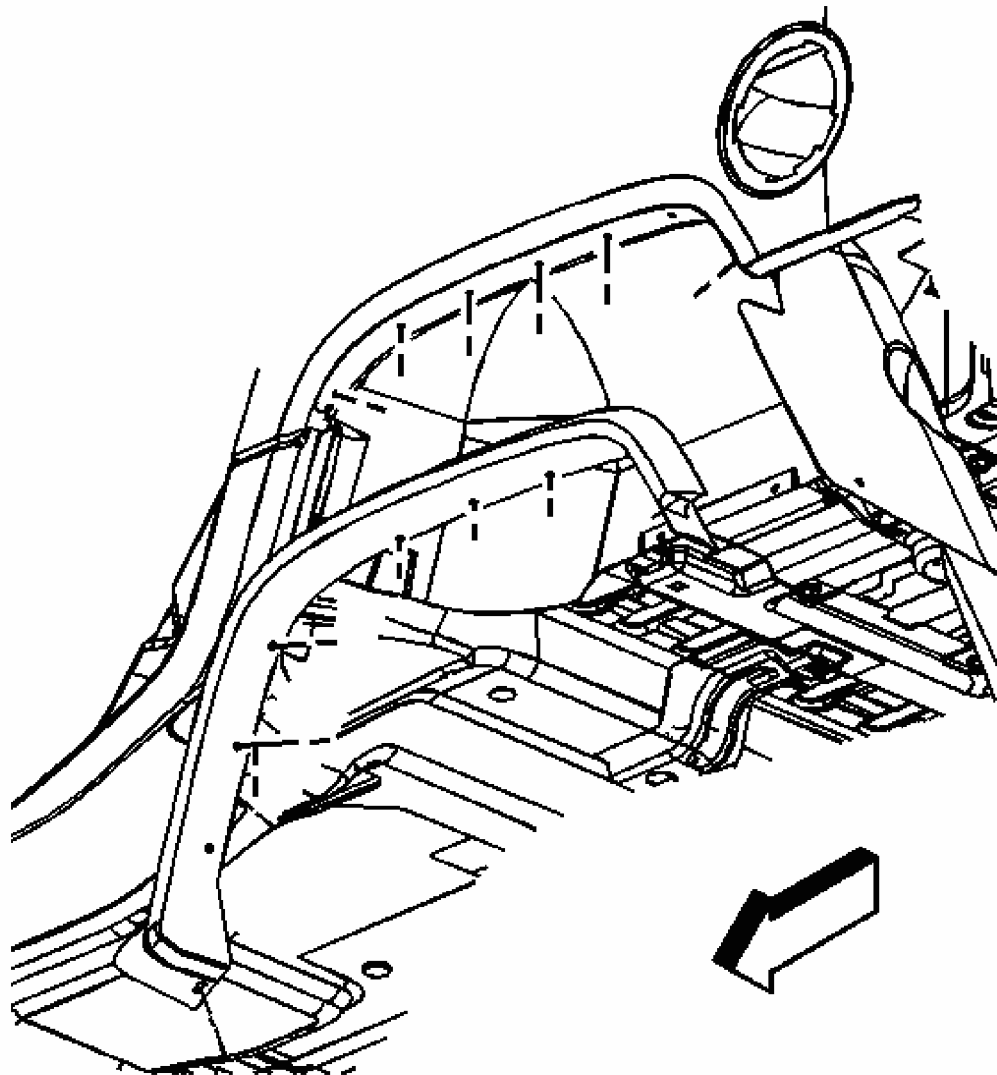


Fig. 17: Rear Wheel Opening Flare (SUV)
Courtesy of GENERAL MOTORS CORP.

1. Position the wheel flare to the vehicle.
2. Insert the push-pin retainer to the rocker protection molding.

NOTE: Refer to **Fastener Notice in Cautions and Notices.**

3. Install the retaining screws to the wheel flare.

Tighten: Tighten the screws to 3 N.m (26 lb in).

MOLDING REPLACEMENT - ROCKER PANEL

Removal Procedure

1. Open the doors.

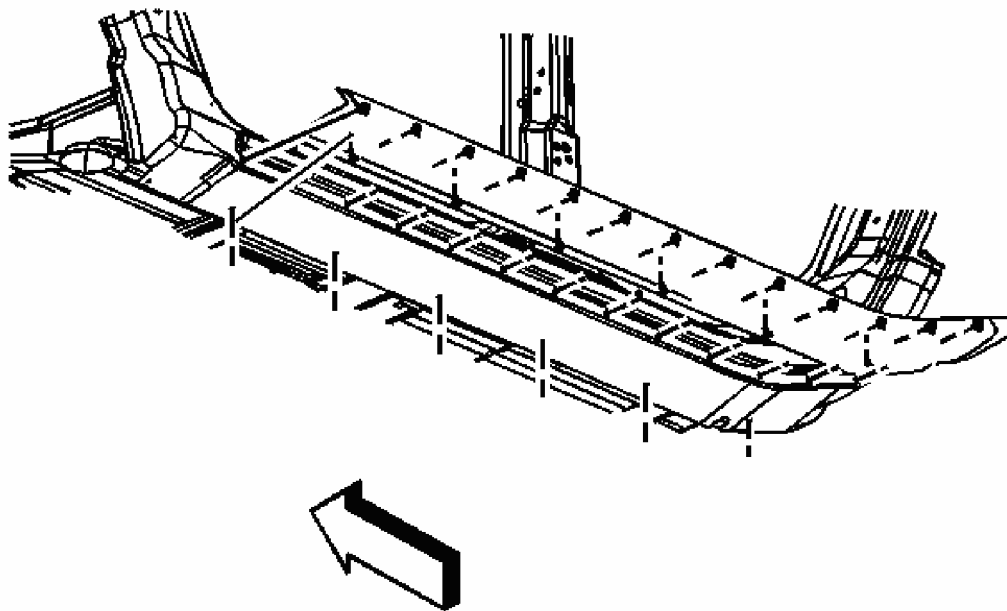


Fig. 18: Rocker Panel Molding
Courtesy of GENERAL MOTORS CORP.

2. Remove the front wheel flare. Refer to **Wheel Opening Flare Replacement - Front**.
3. Remove the rear wheel flare. Refer to **Wheel Opening Flare Replacement - Rear (SUV)**.
4. Remove the push-pins from the underside of the vehicle.
5. Pull the molding away from the vehicle with sufficient pressure to disengage the retaining clips from the body.
6. Remove the rocker panel molding from the vehicle.

Installation Procedure

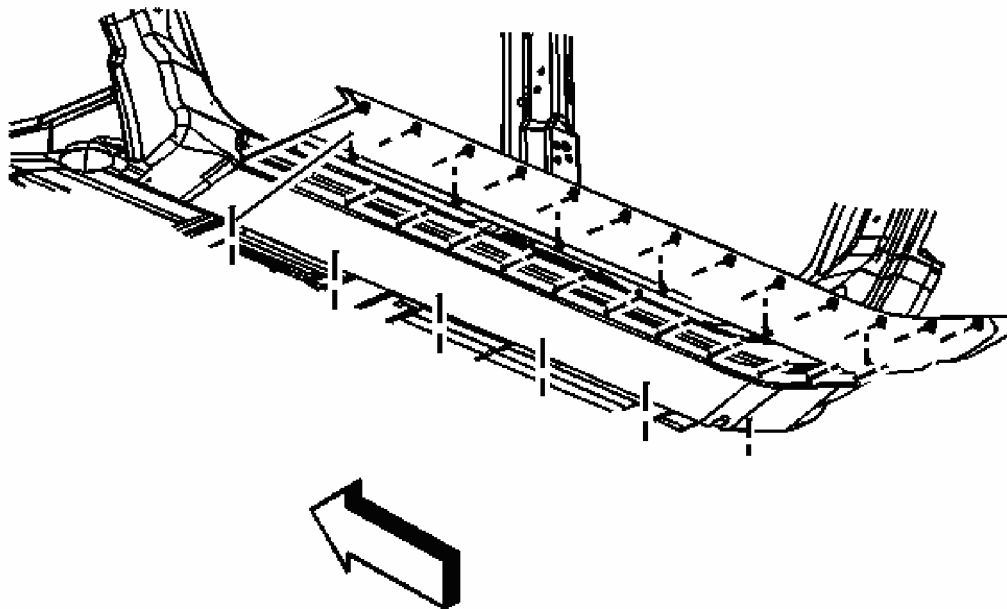


Fig. 19: Rocker Panel Molding
Courtesy of GENERAL MOTORS CORP.

1. Install the rocker panel molding to the vehicle.
2. Push the molding toward the vehicle with sufficient pressure to engage the retaining clips into the body.
3. Install the push-pins to the underside of the vehicle.
4. Install the rear wheel flare. Refer to Wheel Opening Flare Replacement - Rear (SUV) .
5. Install the front wheel flare. Refer to Wheel Opening Flare Replacement - Front .
6. Close the doors.

APPLIQUE REPLACEMENT - QUARTER PANEL UPPER

Removal Procedure

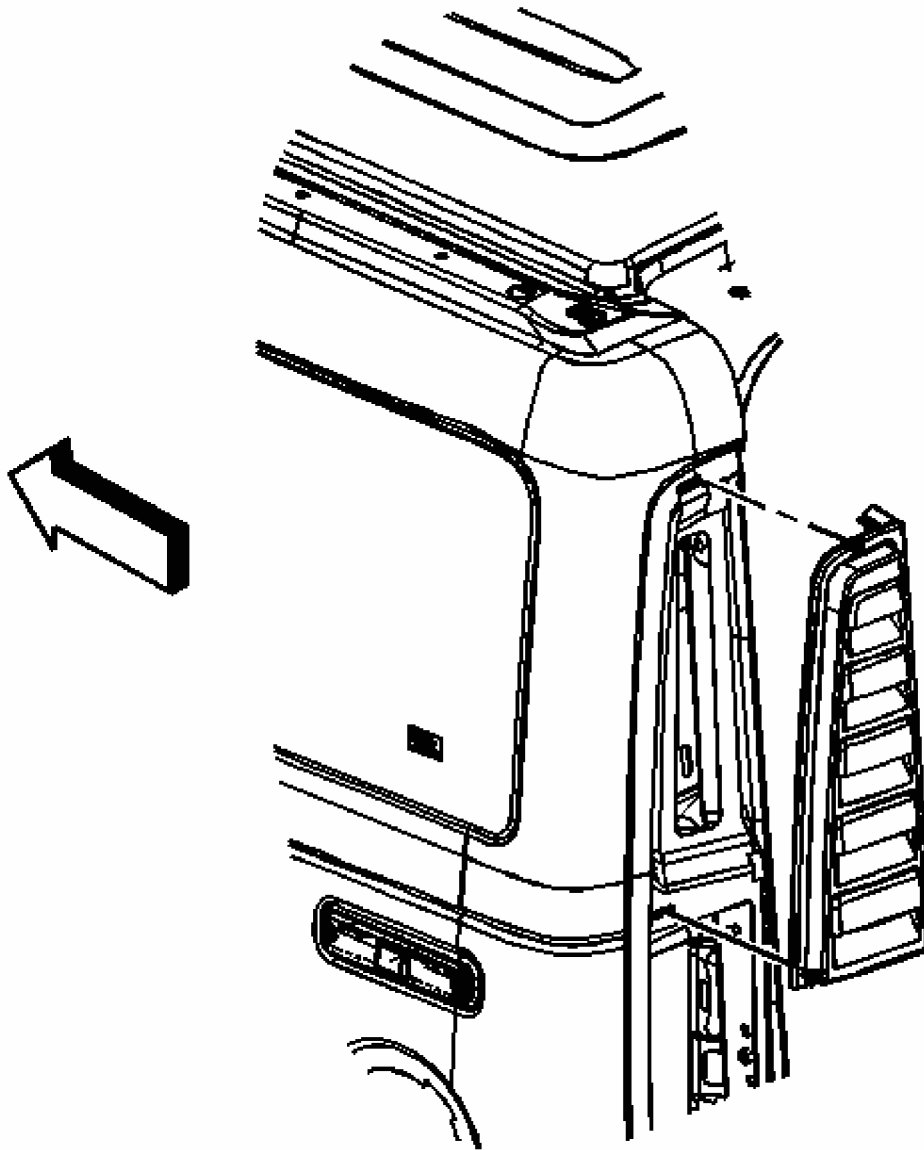


Fig. 20: Upper Quarter Panel Applique
Courtesy of GENERAL MOTORS CORP.

1. Open the liftgate.
2. Remove the 2 side retaining screws.
3. Grasp the applique at the top and the bottom, and exert rearward pressure to disengage the clips from the body.
4. Remove the applique from the vehicle.

Installation Procedure

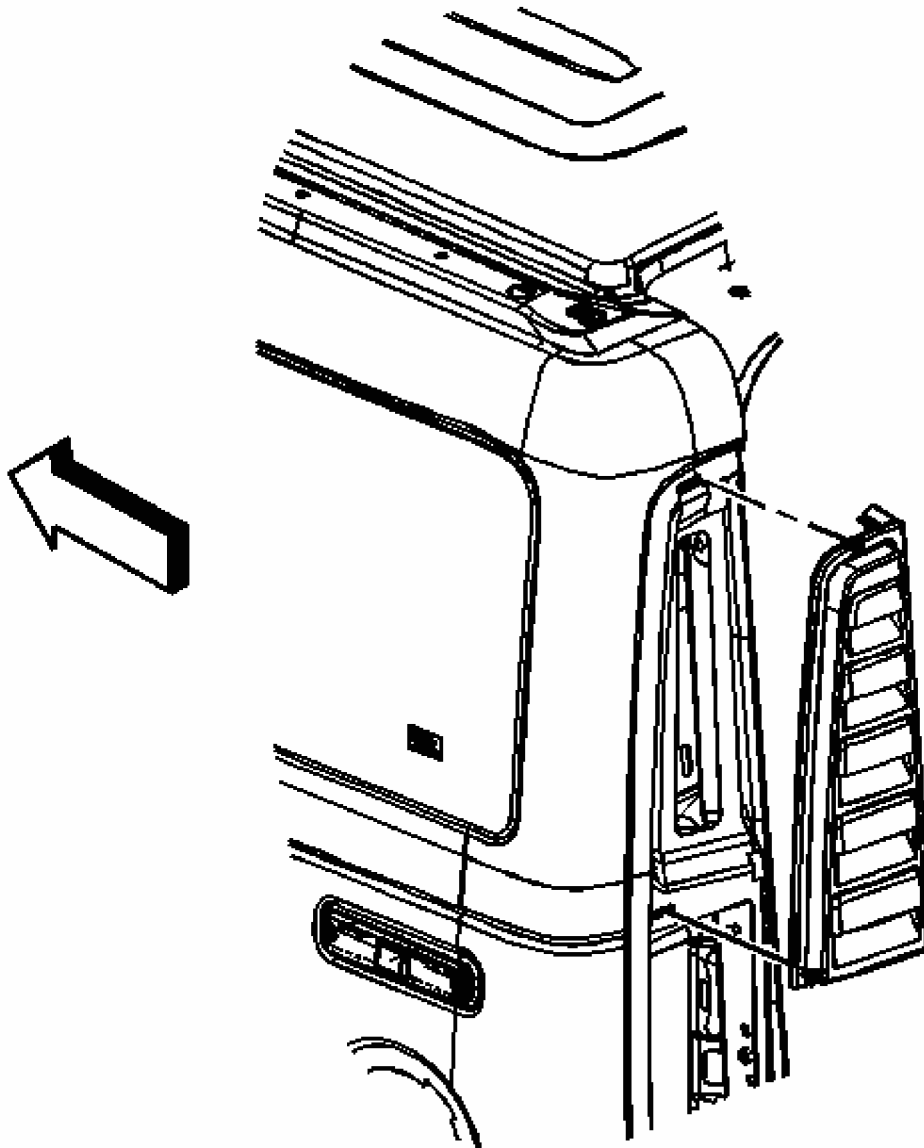


Fig. 21: Upper Quarter Panel Applique
Courtesy of GENERAL MOTORS CORP.

1. Install the applique to the vehicle.
2. Apply inward pressure at the top and the bottom of the applique to engage the clips into the body.

NOTE: Refer to Fastener Notice in Cautions and Notices.

3. Install the 2 side retaining screws.

Tighten: Tighten the screws to 3 N.m (26 lb in).

4. Close the liftgate.

WINDSHIELD PILLAR REVEAL MOLDING REPLACEMENT (SIDE)

Removal Procedure

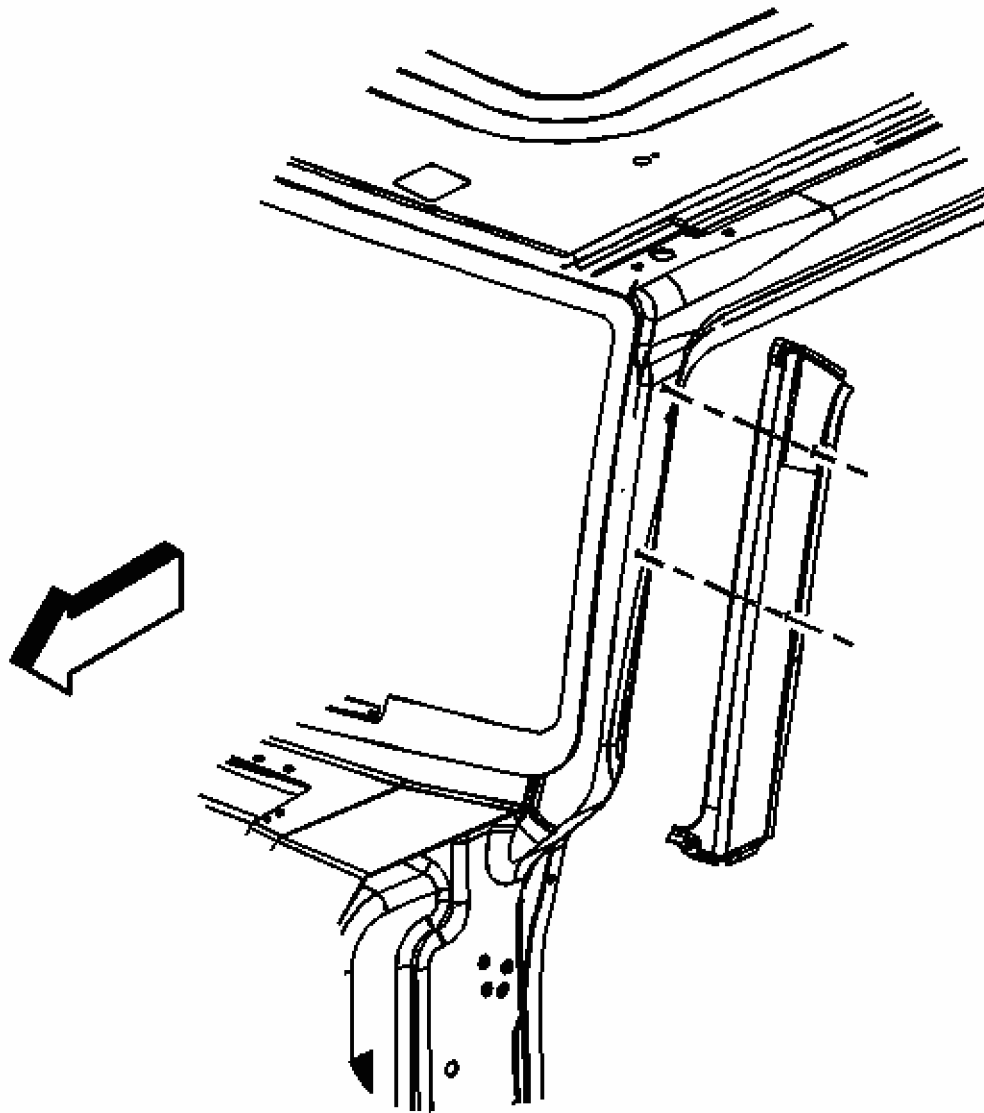


Fig. 22: Windshield Pillar Side Reveal Molding
Courtesy of GENERAL MOTORS CORP.

1. Remove the air inlet grille panel. Refer to [Air Inlet Grille Panel Replacement - Non Functional](#) .
2. Remove the retaining screws.
3. Apply outward pressure at the bottom of the windshield pillar reveal molding to release the adhesive strip.
4. Pull the molding down to disengage the windshield pillar reveal molding from the roof rack.

5. Remove the side reveal molding from the pillar

Installation Procedure

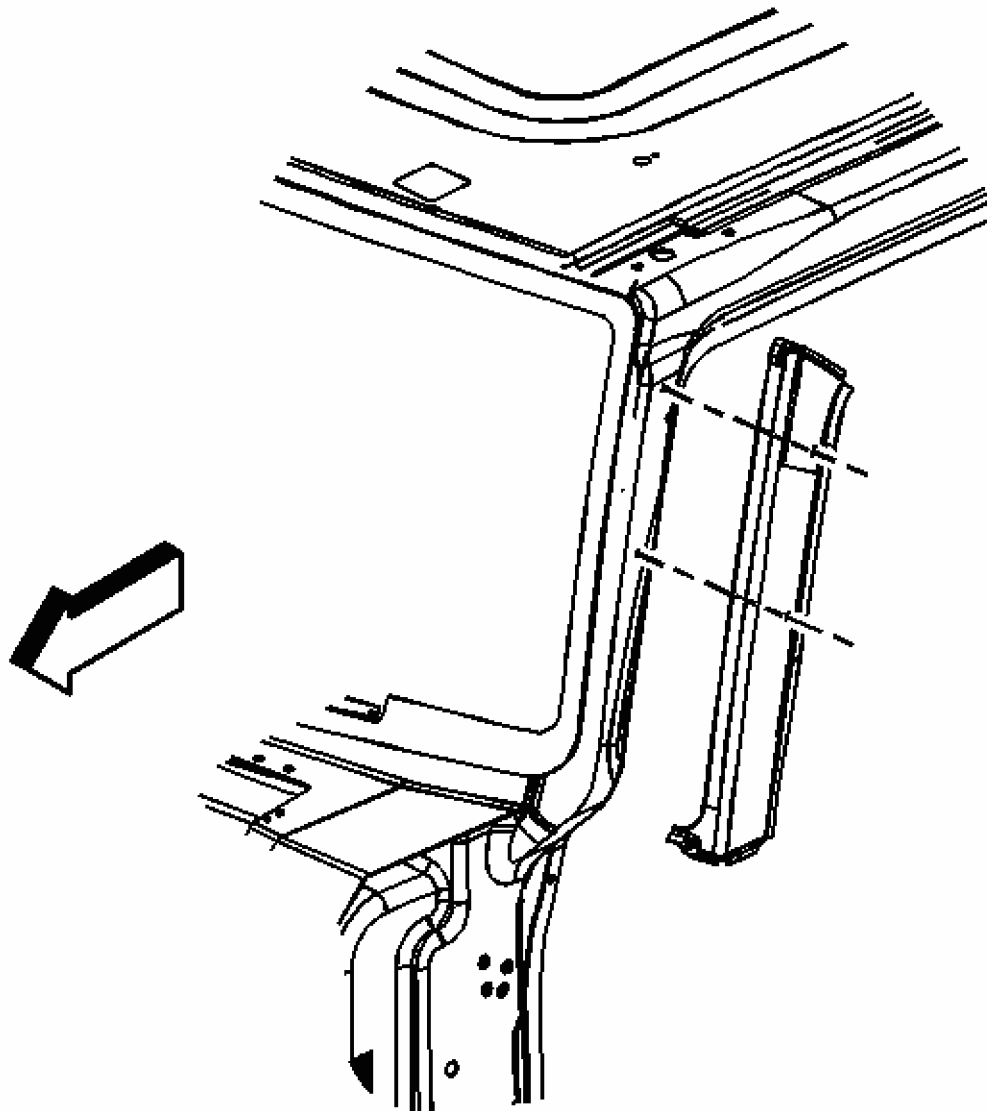


Fig. 23: Windshield Pillar Side Reveal Molding
Courtesy of GENERAL MOTORS CORP.

1. Install the windshield pillar side reveal molding to the vehicle.
2. Push the molding to engage the windshield pillar reveal molding into the track.
3. Apply inward pressure at the bottom of the windshield pillar reveal molding to wet out

the adhesive strip.

NOTE: Refer to Fastener Notice in Cautions and Notices.

4. Install the retaining screws.

Tighten: Tighten the screws to 3 N.m (26 lb in).

5. Install the air inlet grille panel. Refer to Air Inlet Grille Panel Replacement - Non Functional .