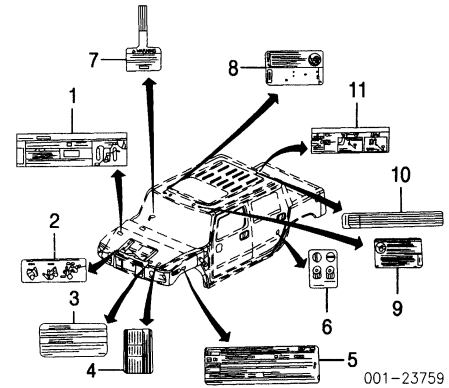


HUMMER H2/H2 SUT 2003-09

SECTION INDEX

A/C /HEATER/VENTILATION	575
A/C REFRIGERANT CAPACITIES	575
ABS/BRAKES	577
AIR BAG SYSTEM	577
AIR CLEANER	582
CENTER CONSOLE	585
CENTER SEAT	588
CLEAR COAT IDENTIFICATION	572
COOLING	574
COWL & DASH	584
ELECTRICAL	583
EMISSION SYSTEM	582
ENGINE/TRANS	581
ENGINE/TRANS MOUNTS	582
EXHAUST	582
FRAME	578
FRONT BUMPER	572
FRONT DOOR	590
FRONT DRIVE AXLE	579
FRONT FENDER	576
FRONT LAMPS	573
FRONT SEAT	587
FRONT STEERING LINKAGE/GEAR	579
FRONT SUSPENSION	579
FUEL TANK	599
GRILLE	572
HOOD	573
INFORMATION LABELS	572
INSTRUMENT PANEL	584
LIFTGATE	598
PAINT CODE LOCATION	572
QUARTER GLASS	598
QUARTER PANEL	596
REAR BODY	600
REAR BUMPER	601
REAR DOOR	592
REAR GATE	599
REAR LAMPS	601
REAR SEAT	589
REAR SUSPENSION	599
ROCKER/PILLARS/FLOOR	586
ROOF	593
SEAT BELTS	590
SPECIAL CAUTIONS	572
STEERING PUMP	580
STEERING WHEEL/COLUMN	580
SUNROOF	596
TRANS OIL COOLER	575
UNDERHOOD DIMENSIONS	577
WHEEL	578
WINDSHIELD	583



001-23759

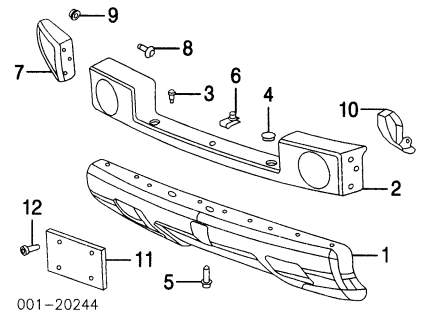
2 Label, Belt Routing	12575049	39.20
Label, Fan Caution-See Cooling Section		
3 Label, AWD Info	12567697	33.96
4 Label, Battery Caution	15087141	29.34
5 Label, A/C Caution	15205663	19.85
6 Label, Child Lock (2)	12451193	31.04
Label, Torsion Bar Caution	15772975	16.91
7 Tag, Air Bag Caution	15765539	21.44
Label, Air Bag Caution		
8 Right	03-04 R 15093588	13.89
	05-06 R 15063549	14.26
	07-09 R N.A.	0.00
9 Left	03-04 L 15006354	19.08
	05-06 L 15006352	11.36
	07-09 L N.A.	0.00
10 Label, Jack Caution	03 25742390	24.66
	04-09 22722565	18.68
11 Label, Jack Usage	03 15172309	17.03
	04-05 15125567	17.18
	06-09 15293578	17.52

FRONT BUMPER

Use Procedure Explanations 1 and 28 with the following text.

Refinish Front Cover	2.0
R&I Bumper Assy5
O/H Bumper Assy (Includes R&I)	1.1

NOTE: All Parts in this section are included in overhaul unless noted otherwise.



001-20244

1 Cover, Front			
Black	19178491	1.1	356.29
Paint to Match	08-09 19178491	1.1	356.29
2 Bar, Impact	19120987	#.3	398.60
<i>#w/Front Cover Removed, Not Included in R&R or O/H</i>			
3 Bolt, Mounting (4)	10200334		4.25
4 Cover, Hole	R/L 15176944		7.69
5 Bolt, Front Cover (8)	10200334		4.25
6 Nut, Front Cover (8)	11561740		3.82
7 Cap, Bumper End	R 88944406	.2	135.97
	L 88944407	.2	131.39
8 Bolt, End Cap (3/Side)	R/L 11609989		3.91
9 Nut, End Cap (3/Side)	R/L 11609411		.55
10 Bracket, Bumper-See Frame Section			
11 Bracket, License Plate	15176139	.2	41.45
12 Screw, License Bracket [†]	9423101		1.46
<i>†As Required</i>			

SPECIAL CAUTIONS

AIR BAG

Refer to Procedure Explanation 29 for Supplemental Restraint/Air Bag Special Cautions.

PAINT CODE LOCATION

Paint code located on glove compartment door.

CLEAR COAT IDENTIFICATION

All colors are clear coat.

INFORMATION LABELS

Illustration Located in Next Column

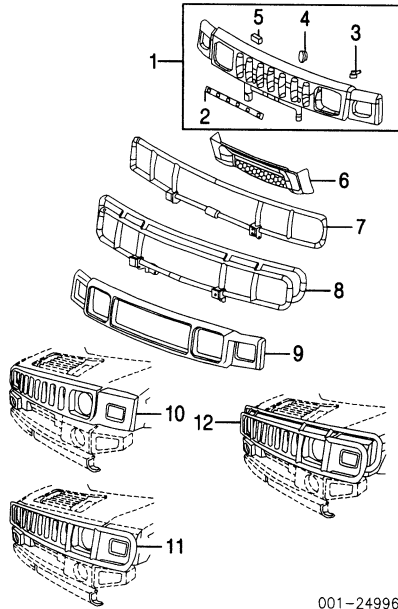
1 Label, Emission Control [†]	03 12575750	18.22
	04 12575805	17.18
	05 12590031	16.59
	06 12598238	16.59
	07 12608964	16.59
	08-09 19180225	25.09

[†]Order by VIN

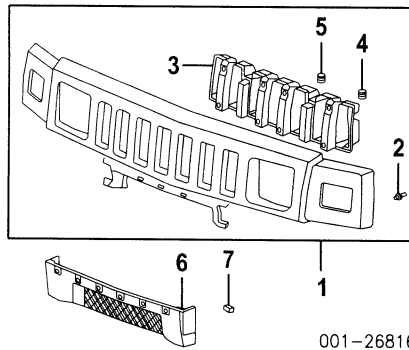
GRILLE

2003-07

Refinish Upper Grille	1.8
Refinish Grille Guard	1.5
R&I Upper Grille Assy	#.5
R&I Applique Kit	#.5
<i>#Included in R&R Hood, Includes R&I/R&R Lower Grille</i>	
R&I Lower Grille2
R&I Grille Guard	#.5
<i>#Includes R&I/R&R Lower Grille</i>	



001-24996



001-26816

†Included w/Upper Grille Assy

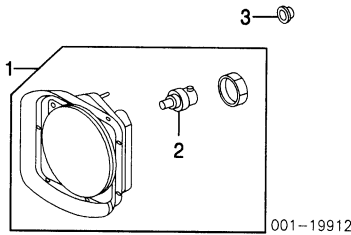
6 Grille, Lower			
w/Brush Guard	25833199	.2	164.13
w/o Brush Guard	25833198	.2	159.53
7 Retainer, Grille Lower (4)	15078238		4.46
Guard Kit, Grille			
Standard	12498157	.#5	550.00
Wraparound			
Chrome	08 17801174	.#5	910.00
N.A.	09 N.A.	.#5	0.00
Black	08 89006790	.#5	690.00
N.A.	09 N.A.	.#5	0.00
#Includes R&I/R&R Lower Grille			

FRONT LAMPS

HEADLAMP

Aim Lamps			.4
R&I Headlamp Assy		R/L	#.6
#Includes R&I/R&R Upper Grille, Included in R&R Hood			

NOTE: R&R Does Not include aim lamps.

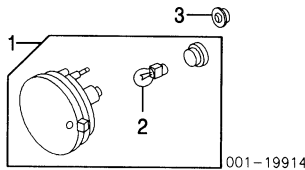


001-19912

1 Headlamp Assy	R 15269179	.#6	282.43
	L 15269178	.#6	280.02
#Includes R&I/R&R Upper Grille, Included in R&R Hood			
2 Bulb, Headlamp†	R/L 16524431	.#2	29.18
†Included w/Headlamp Assy			
3 Nut, Headlamp Mounting (3/Side)	R/L 11609411		.55
Harness, Wiring			
2003-04	15231086		279.89
2005			
1st Design	15231086		279.89
2nd Design	15291990		226.36
2006-07	15291990		226.36
2008	25926707		245.23
2009	25926709		248.33

DAYTIME RUNNING LAMP

R&I Daytime Running Lamp Assy		R/L	#.2
#Included in R&R Front Cover or O/H Front Bumper			

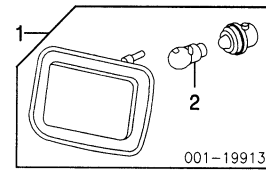


001-19914

1 Lamp Assy, Daytime Running	R/L 15258697	.#2	114.65
2 Bulb, DRL†	R/L 15199562	.#2	4.20
†Included w/Daytime Running Lamp Assy			
#R&R One Side Complete, Included in R&R Front Cover or O/H Front Bumper			
3 Nut, Mounting (3/Side)	R/L 11609411		.55
Harness, Wiring-See Headlamp Section			

PARK/SIGNAL LAMP

R&I Park/Signal Lamp Assy		R/L	#.4
#Includes R&I/R&R Upper Grille, Included in R&R Hood			

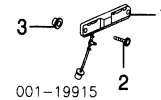


001-19913

1 Lamp Assy, Park/Signal	R 15060530	.#4	130.27
	L 15060529	.#4	129.54
#Includes R&I/R&R Upper Grille, Included in R&R Hood			
2 Bulb†	R/L 12450182	.#4	10.10
†Included w/Park/Signal Lamp Assy			
#Included in R&R Park/Signal Lamp Assy			
Harness, Wiring-See Headlamp Section			

SIDE MARKER LAMP

R&I Side Marker Lamp		R/L	#.2
#Included in R&R Hood			



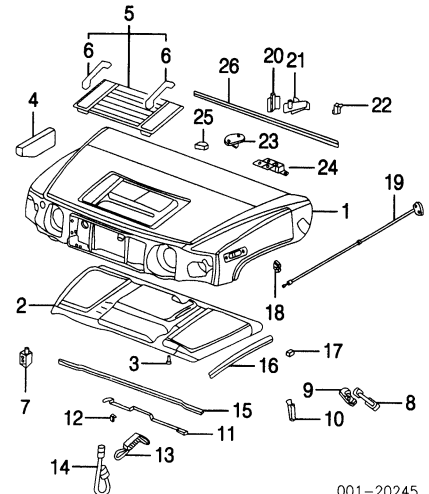
001-19915

1 Lamp, Side Marker	R/L 25952319	.#2	101.77
#Included in R&R Hood			
Bulb	R/L N.A.	.#2	0.00
#Included in R&I/R&R Side Marker Lamp			
2 Screw, Mounting (2/Side)	R/L 11515894		4.25
3 Nut, Screw (2/Side)	R/L 25536302		5.37
Harness, Wiring-See Headlamp Section			

HOOD

Use Procedure Explanations 4 and 28 with the following text.

Refinish Hood Outside			3.4
Add for Underside			1.7
Refinish Hood Hinge		R/L	.5
R&I Hood Assy			.8



001-20245

1 Panel, Hood (SMC)	03-07 15927860	.#4	1472.09
	08-09 25963322	.#4	1817.19
2 Insulator, Hood	03-07 15800593	.#2	131.15
	08-09 15800593	.#2	131.15
3 Retainer, Insulator (9)	20064875		1.68
4 Filler, Hood Closeout	15192800		4.56
5 Grille Assy, Hood			
2003-06	25928163	.#4	147.38
2007-09			
w/Chrome Handle	25895436	.#4	389.94
w/o Chrome Handle	25928163	.#4	147.38
6 Handle Kit, Hood†			
2003-07			
Black	25928162	.#4	151.66
Chrome	25895426	.#4	147.44
2008			
w/Special Edition Pkg	25916029	.#4	d0.00
w/o Special Edition Pkg			
Black	25928162	.#4	151.66
Chrome	25895426	.#4	147.44
2009			
w/Special Edition Pkg			
Chrome	25916029	.#4	d0.00
Titanium	25916034	.#4	0.00
w/o Special Edition Pkg			
Black	25928162	.#4	151.66
Chrome	N.A.	.#4	0.00
†Included w/Hood Grille Assy			
#Includes R&I/R&R Hood Insulator			

2008-09

Refinish Upper Grille			1.8
R&I Upper Grille Assy			.#5
#Included in R&R Hood, Includes R&I/R&R Lower Grille			
R&I Lower Grille			.2
R&I Grille Guard			.#5
#Includes R&I/R&R Lower Grille			

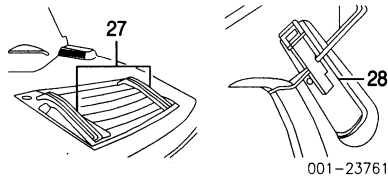
Illustration Located in Next Column

1 Grille Assy, Upper			
w/Special Edition Pkg			
Chrome	25962361	.#5	0.00
Painted	15832658	.#5	348.51
w/o Special Edition Pkg	25886172	.#5	475.37
#Included in R&R Hood, Includes R&I/R&R Lower Grille			
2 Stud, Mounting† (2/Side)	R/L 11588458		4.27
3 Cover, Grille Opening†	25886171		92.76
#Included in R&R Hood, Includes R&I/R&R Lower Grille			
4 Clip, Cover† (2)	15162843		4.49
5 Retainer, Grille† (2)	15078238		4.46

HUMMER H2/H2 SUT 2003-09

HOOD Cont'd

7 Hinge, Hood	R 15811696	#.2	93.42
	L 15811695	#.2	88.82
#w/Hood Removed			
Washer, Hinge	R/L 11589141		4.36
8 Latch, Hood Front			
Ebony	03-08 R/L 15097841	#.3	100.69
	09 R/L 25910188	#.3	337.83
Chrome	R/L 15798164	#.3	270.56
#Included in R&R Hood			
9 Latch, Hood Rear	R/L 15186697	#.3	21.46
#Included in R&R Front Fender			
10 Stop, Hood	R/L 15070156-5	.2	18.66
11 Rod, Hood Assist	03 N.A.	.1	0.00
12 Retainer, Rod	03 11518783	4.17	
13 Spring, Hood Check	R/L 15098109	#.2	3.90
14 Cable, Hood Check	R/L 15146196	#.2	32.61
#R&R One Side Complete			
15 Seal, Front Hood	15063345	.1	35.85
16 Seal, Side	R/L 15063344	.1	35.85
17 Bumper, Side Hood	R/L 15173951	.1	20.77
18 Guide, Hood	R/L 15771212		25.45
19 Cable & Handle, Hood Release	03-07 15066360	.8	55.22
	08-09 25794765	.8	18.71
20 Latch, Secondary	25781941	.3	32.34
21 Bracket, Latch	03-07 15172382		40.49
22 Retainer, Release Cable	20087231		4.46
23 Striker, Latch	10273708	.2	26.12
24 Bracket, Catch	R/L 15914176		28.07
25 Lamp, Underhood	03 12450086	.2	16.80
26 Seal, Rear Hood	15063465	.1	43.53



001-23761

27 Handle Kit, Hood	12498996	#	185.00
Dealer Installed			
28 Latch Kit, Hood	12499435	#	185.00
Dealer Installed			
#Not Included in R&R Hood			

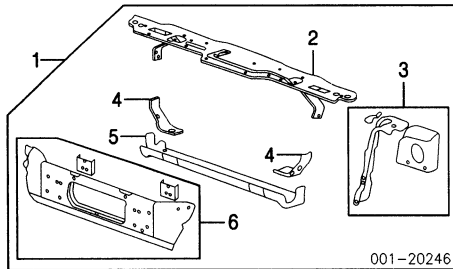
COOLING

Use Procedure Explanations 5 and 28 with the following text.

6.0L ENG 2003-07

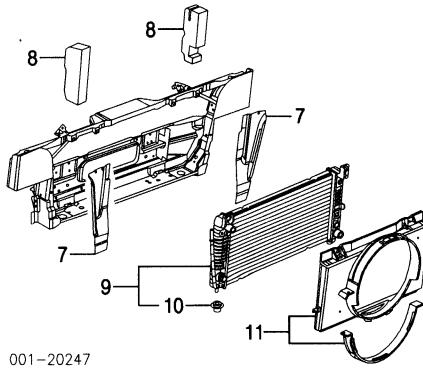
Refinish Radiator Support Assy	1.5
Refinish Upper Tie Bar	.5
Refinish Upper Support	R/L .5
Refinish Lower Reinforcement	R/L .5
Refinish Lower Tie Bar	.5
R&I Radiator	1.5

Add to R&R Radiator Support Assy
To R&I/R&R Base Model Mechanical Components.....m #1.4
#Includes R&I/R&R Aux Trans Oil Cooler, Power Steering Cooler, A/C Condenser, Air Bag Sensors



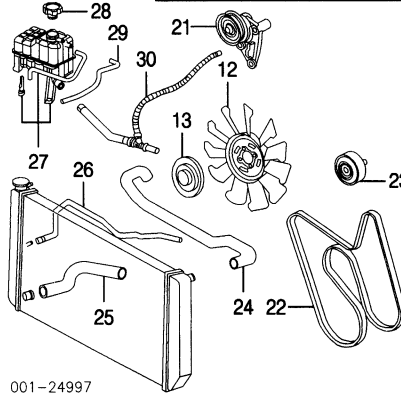
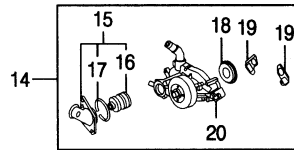
001-20246

1 Support Assy, Radiator	19178315	#5.4	957.71
#Includes R&I/R&R Radiator, Radiator Baffles, Fan Shroud, Front Hood Seal, Hood Assist Rod, Horns, Lower Grille, Disconnect & Connect Hood Release Cable, Wiring &/or Harness as Necessary			
2 Bar, Upper Tie	19178300	1.0	356.46
3 Support, Upper	R 25846665	1.5	114.24
	L 25846655	1.5	108.29
4 Reinf, Lower	R 15064470	.5	44.86
	L 15064469	.5	43.03
5 Support, Lower	15064484	1.5	368.81
6 Reinf, Support			
2003-05	88944297	1.5	483.27
2006-07-Serviced w/Radiator Support Assy			
#Included w/Radiator Support Assy			



001-20247

7 Baffle, Rad Support	R 15789450	.1	30.96
	L 25824559	.1	27.13
8 Baffle, Rad Air	R/L 15170640-39		25.30
9 Radiator Assy	03-04 25811504	1.5	894.00
	05-07 15841574	1.5	875.52
10 Cushion, Rad Mount (a)	R/L 89019121		11.25
(a) Included w/Radiator Assy			
11 Shroud, Fan	15183154	#.5	82.39
#Included in R&I/R&R Radiator			



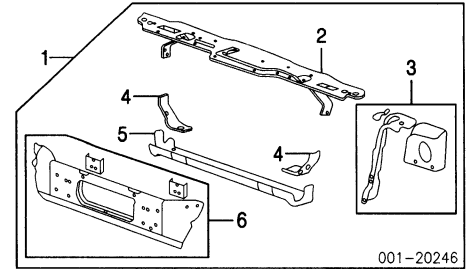
001-24997

12 Blade, Fan	15976889	#.5	93.12
13 Clutch, Fan	15022300	#.5	216.31
#R&R Complete, w/Fan Shroud Removed			
14 Pump Assy, Water	03-05 89017439	m 2.0	250.80
	06 89018166	m 2.0	308.84
	07 12600767	m 2.0	299.66
15 Housing Assy, Thermostat (c)	03 12571261	#.7	57.56
	04-06 12600172	#.7	51.25
	07 12587395	#.7	7.89
16 Thermostat (c) (d)	03-06 12600171	#.7	24.48
	07 89018168	#.7	45.39
17 Seal, Thermostat (c) (d)	03 12561155	#.7	10.86
	04-06 12570307	#.7	5.18
	07 12587397	#.7	5.99
(d) Included w/Thermostat Housing Assy			
#R&R Complete			
18 Plug, Water Pump (c)			
2003-06	12568941		9.71
2007-Serviced w/Water Pump Assy			
19 Gasket, Water Pump (c) (2)	03-06 12588372	5.46	
	07 89018168	45.39	
20 Pulley, Water Pump (c)-Serviced w/Water Pump Assy			
(c) Included w/Water Pump Assy			
21 Tensioner, Belt	12609719	.5	73.75
22 Belt, Drive	12576451	.3	75.38
23 Pulley, Belt Idler	12580771	m 5	62.34
24 Hose, Upper Rad	03-06 10379176	.6	103.21
	07 19130003	.6	75.62
25 Hose, Lower Rad	15057992	.8	55.30
26 Hose, Rad Vent	03-06 15057995		44.36
	07 19130004		25.35
27 Tank, Rad Surge	03 15808716	.5	70.24
	04-07 15808715	.5	69.76
28 Cap, Surge Tank	15075118		13.57
29 Hose, Tank Inlet	15058001	.1	45.46
30 Hose, Tank Outlet	15058002	.1	105.99

6.2L ENG 2008-09

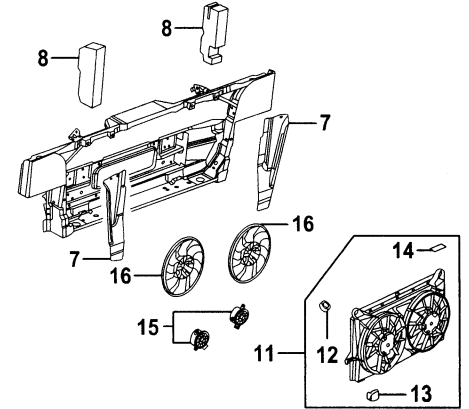
Refinish Radiator Support Assy	1.5
Refinish Upper Tie Bar	.5
Refinish Upper Support	R/L .5

Refinish Lower Reinforcement	R/L	.5
Refinish Lower Tie Bar		.5
R&I Radiator		1.5
Add to R&R Radiator Support Assy		
To R&I/R&R Base Model Mechanical Components.....m #1.4		
#Includes R&I/R&R Aux Trans Oil Cooler, Power Steering Cooler, A/C Condenser, Air Bag Sensors		



001-20246

1 Support Assy, Radiator	19178315	#5.4	957.71
#Includes R&I/R&R Radiator, Radiator Baffles, Fan Shroud, Front Hood Seal, Hood Assist Rod, Horns, Lower Grille, Disconnect & Connect Hood Release Cable, Wiring &/or Harness as Necessary			
2 Bar, Upper Tie	N.A.	1.0	0.00
3 Support, Upper	R/L 25846665	1.5	114.24
4 Reinf, Lower	R 15064470	.5	44.86
	L 15064469	.5	43.03
5 Support, Lower	15064484	1.5	368.81
6 Reinf, Support			
#Serviced w/Radiator Support Assy			
#Included w/Radiator Support Assy			



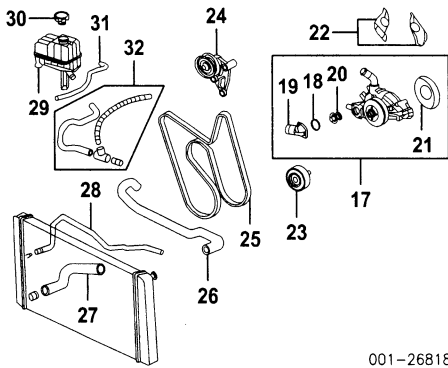
001-26817

7 Baffle, Rad Support	R 15789450	.1	30.96
	L 25824559	.1	27.13
8 Baffle, Rad Air	R/L 15170640-39		25.30
9 Radiator Assy	15841569	#1.6	586.75
#Includes R&R Fan Shroud Assy			
10 Cushion, Rad Mount (a)	R/L 89019121		11.25
(a) Included w/Radiator Assy			
11 Shroud Assy, Fan	15780789	.8	205.75
12 Cushion, Fan Mounting (b)	15780790		5.75
13 Insulator, Fan Shroud (b)	15780791		5.75
14 Label, Fan Caution (b)	10309116		35.71
(b) Included w/Fan Shroud Assy			
15 Motor, Fan	R 15780796	#.3	86.70
	L 15780795	#.3	122.53
16 Blade, Fan	R 15780794	#.3	96.76
	L 15780793	#.3	96.66
#R&R Complete, w/Fan Shroud Removed			

Illustration Located in Next Column

17 Pump Assy, Water	12600767	m 2.1	299.66
18 Seal, Thermostat (c)	12587397	m	5.99
19 Inlet, Thermostat (c)	N.A.	#.7	0.00
20 Thermostat (c)	89018168	#.7	45.39
#R&R Complete			
21 Plug, Water Pump (c)-Serviced w/Water Pump Assy			
(c) Included w/Water Pump Assy			
22 Gasket, Water Pump (2)	12588372	m	5.46
23 Pulley, Belt Idler	12580771	#.8	62.34
24 Tensioner	12609719	#.7	73.75

HUMMER H2/H2 SUT 2003-09



001-26818

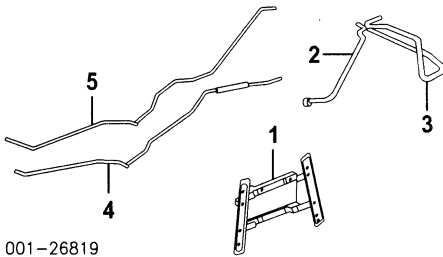
#Includes R&R Drive Belt

25 Belt, Drive	12626222	.6	■53.68
26 Hose, Upper Rad	19130367	#.7	55.58
27 Hose, Lower Rad	19130368	#1.0	18.01
#R&R Both 1.3			
28 Hose, Rad Vent	19130369		19.27
29 Tank, Rad Surge	15808715	.8	69.76
30 Cap, Surge Tank	15075118		13.57
31 Hose, Surge Tank Inlet-Serviced w/Rad Surge Tank			
32 Hose, Surge Tank Outlet			
H2 SUV	19130372	.4	45.02
H2 SUT	19130370	.4	63.03

(b) Included w/Fan Shroud Assy

TRANS OIL COOLER

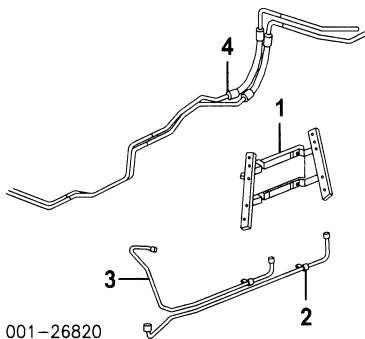
6.0L ENG
2003-07



001-26819

1 Cooler, Trans Oil Aux	15124483	m #4	228.60
#w/Grille Removed			
2 Hose, Cooler Inlet	15827948	m .4	85.47
3 Pipe, Cooler Inlet	15827947	m .5	85.39
4 Pipe, Cooler Outlet	15827950	m #.8	77.40
5 Pipe, Upper Trans Cooler	15827949	m #.8	73.54

6.2L ENG
2008-09



001-26820

1 Cooler, Trans Oil Aux	15124483	m #.4	228.60
#w/Grille Removed			
2 Pipe, Upper	15263909	m #.7	39.58
3 Pipe, Inlet	15827947	m #.7	85.39
#R&R Complete			
4 Pipe, Trans Cooler	15147184	m .9	130.32

A/C REFRIGERANT CAPACITIES

A/C R-134a Refrigerant Capacity
25.6 Ozs (1.6 Lbs), 726 g

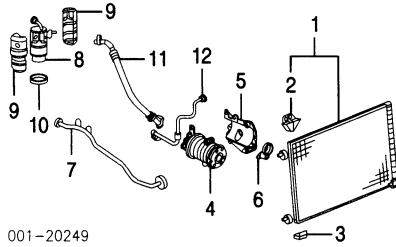
A/C /HEATER/VENTILATION

Use Procedure Explanation 6 with the following text.

2003-07

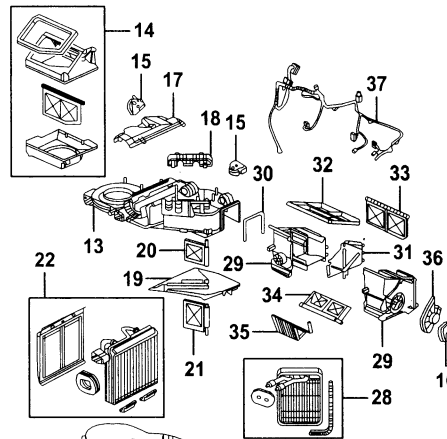
R&I Condenser		m	1.7
R&I HVAC Module Assy		m	#1.0
#w/Instrument Panel Removed			
Evacuate & Recharge System		m	1.4
Recover Refrigerant		m	.3

NOTE: R&R Does Not include recover, evacuate and recharge system.



001-20249

1 Condenser Assy	25967385	m	1.7	■385.78
2 Bracket, Condenser	R/L 52481715-6			6.39
#Included w/Condenser Assy				
3 Insulator, Condenser				
Upper	52476687	m		7.64
Lower	R/L 15044225	m		8.01
4 Compressor	25891791	m	1.6	■693.34
5 Bracket, Compressor	12554026			31.62
6 Tensioner, A/C Belt	12580196	m	.5	67.18
Belt, A/C	12576447			.3
7 Tube, Evaporator	15229364	m	.4	■115.64
8 Accumulator	25821905	m	.5	■96.00
9 Insulator, Accumulator-Serviced w/Accumulator				
10 Bracket, Accumulator	15136597			21.67
11 Hose, Accumulator	15057977	m	.6	95.36
12 Hose, Condenser	15886917	m	.6	■152.89



001-26821

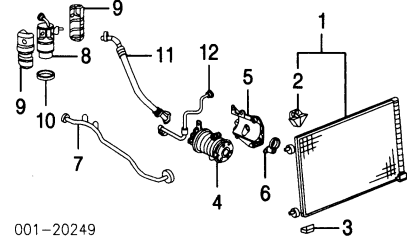
13 Case, Evaporator	89023357	m #1.5	205.00	
#w/Instrument Panel Removed				
14 Inlet, Air	89023352	m	63.85	
15 Actuator, Valve (3)	89018365	m	263.57	
16 Actuator, Mode	89023358	m .8	81.15	
17 Cover, Housing	88988550	m	72.34	
18 Cover, Heater	88988551	m	47.44	
19 Plate, Evaporator	88986531	m	53.37	
Valve, Temperature				
Upper	89023354	m	55.48	
Lower	89022567	m	56.03	
22 Core, Evaporator	88986628	m #1.0	■431.85	
#w/Instrument Panel Removed				
23 Motor, Blower	88986838	m	.8	179.87
24 Fan, Blower	89023346	m		■121.59
25 Seal Kit	89024877	m		83.64
26 Module, Blower Motor				
2003-05	93803637	m	.8	171.62
2006				
1st Design	93803637	m	.8	171.62
2nd Design	89023355	m	.8	171.94
2007	89023355	m	.8	171.94
27 Seal, Case-Serviced w/Seal Kit				
28 Core, Heater	88986627	m #1.2	228.11	
#w/Instrument Panel Removed				
29 Case, Air Inlet	R 89022570	m	54.39	
L	89022573	m	103.93	
30 Seal, Blower Case	89022569	m	37.34	
31 Plate, Air Intake	88986535	m	121.84	
32 Seal, Evaporator-Serviced w/Seal Kit				
33 Valve, Mode	88986538	m	147.74	

34 Valve, Defroster	88986536	m	88.54
35 Valve, Air Inlet	89022565	m	50.80
36 Cam, Mode Control	88986541	m	66.18
37 Harness, Wiring	15065816	m	94.31

2008-09 H2 SUV

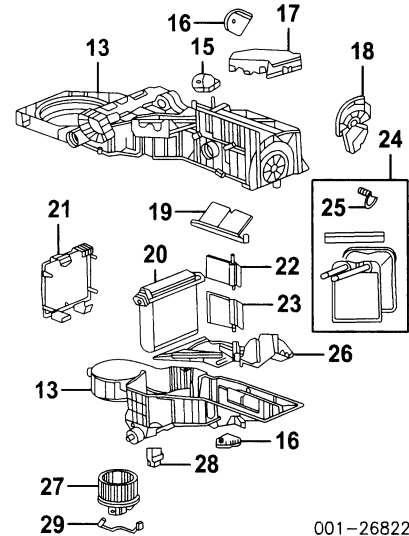
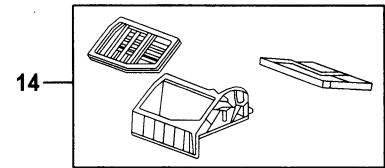
R&I Condenser		m	1.7
R&I HVAC Module Assy		m	#1.0
#w/Instrument Panel Removed			
Evacuate & Recharge System		m	1.4
Recover Refrigerant		m	.3

NOTE: R&R Does Not include recover, evacuate and recharge system.



001-20249

1 Condenser Assy	08 25967385	m	1.7	■385.78
2 Bracket, Condenser	R/L 52481715-6			6.39
#Included w/Condenser Assy				
3 Insulator, Condenser				
Upper	52476687	m		7.64
Lower	R/L 15044225	m		8.01
4 Compressor	08 25967385	m	1.7	■385.78
09 25967385		m	1.7	■385.78
#Included w/Condenser Assy				
5 Bracket, Compressor	08 89024905	m	1.6	576.00
09 25940199		m	1.6	361.44
6 Tensioner, A/C Belt	12554026			31.62
12580196				#.8
#Includes R&R Drive Belt				
Belt, A/C	08 12576447			.6
09 19210691				.6
7 Tube, Evaporator	15147176	m	.4	98.67
8 Accumulator	15905243	m	.5	122.38
9 Insulator, Accumulator-Serviced w/Accumulator				
10 Bracket, Accumulator	15194317			22.33
11 Hose, Accumulator	25834126	m	.6	93.30
12 Hose, Condenser	15886917	m	.6	■152.89



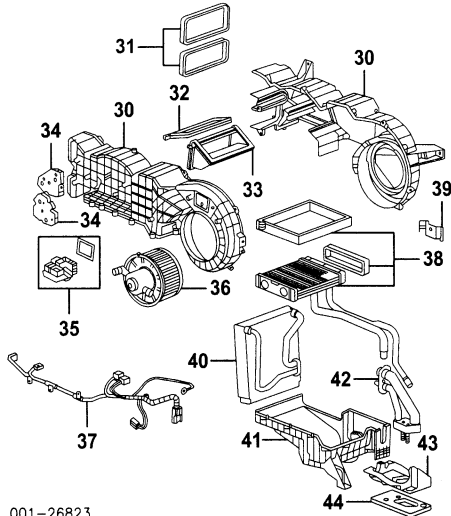
001-26822

13 Case, Evaporator				
Upper	15780377	m #1.5	33.31	
Lower	15780376	m #1.5	43.23	
#R&R Complete, w/Instrument Panel Removed				
14 Inlet, Air	15780375	m		23.65
15 Actuator, Air Inlet	89018365	m		263.57
16 Actuator, Temp Valve (2)	89018365	m		263.57
17 Cover, Housing	89018299	m		13.71
18 Actuator, Mode Control	89018374	m	.8	78.30
19 Valve, Defroster	89018304	m		22.59
20 Core, Evaporator	89018296	m #1.0		248.96
#w/Instrument Panel Removed				
21 Cover, Core	89018295	m		43.01
Valve, Temp				

HUMMER H2/H2 SUT 2003-09

A/C /HEATER/VENTILATION Cont'd

2008-09			
H2 SUV Cont'd			
22	Upper	89018307	m 52.52
23	Lower	89018306	m 52.52
24	Core Assy, Heater	89018297	m #1.2 210.95
<i>#w/Instrument Panel Removed</i>			
25	Lever, Mode	52474960	m 7.29
<i>†Included w/Heater Core Assy</i>			
26	Shield, Heat	89018302	m 75.49
27	Motor, Blower	20760618	m 1.0 184.24
28	Module, Blower Control	15141283	m .8 92.50
29	Harness, A/C	15887352	m 63.22



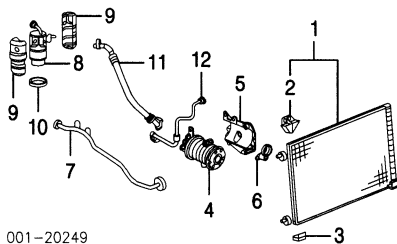
001-26823

30	Case, Rear Evaporator/Heater	R 19130373	m #2.8 64.71
		L 19130374	m #2.8 58.49
<i>#R&R Complete, w/Rear Quarter Trim Removed</i>			
31	Seal Kit	19130396	m 12.72
32	Valve, Mode	19130377	m #.5 51.32
33	Valve, Temp	19130376	m #.5 63.36
34	Actuator, Temp Valve (2)	19130388	m 87.96
35	Module, Blower Motor	15141283	m #.4 92.50
36	Blower, Rear A/C	19130384	m #.6 151.14
<i>#w/Rear Quarter Trim Removed</i>			
37	Harness, Aux A/C/Heater	19130392	m 96.63
38	Core, Aux Heater	19130385	m #3.0 146.19
39	Bracket, Heater Core	19130386	m 5.44
40	Evaporator, Rear A/C	19130378	m #3.2 226.14
<i>#w/Rear Quarter Trim Removed</i>			
41	Case, Rear Evaporator	19130375	m 71.70
42	Tube, Outlet Evap	19130382	m 231.49
43	Cover, Lower Evap	19130387	m 70.72
44	Seal, Pipe-Serviced w/Seal Kit		

2008-09 H2 SUT

R&I Condenser	m 1.7
R&I HVAC Module Assy	m #1.0
<i>#w/Instrument Panel Removed</i>	
Evacuate & Recharge System	m 1.4
Recover Refrigerant	m .3

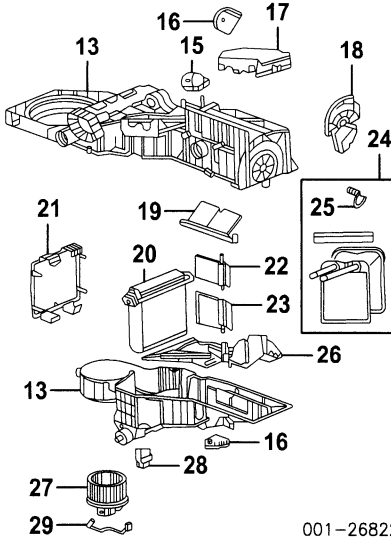
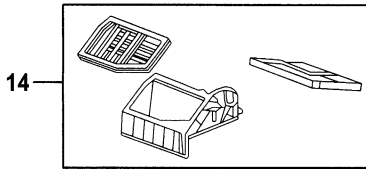
NOTE: R&R Does Not include recover, evacuate and recharge system.



001-20249

1	Condenser Assy	08 25967385	m 1.7 #385.78
		09 25967385	m 1.7 #385.78
2	Bracket, Condenser	R/L 52481715-6	m 6.39
<i>†Included w/Condenser Assy</i>			
3	Insulator, Condenser		
	Upper	52476687	m 7.64
	Lower	R/L 15044225	m 8.01
4	Compressor	08 25891791	m 1.6 #693.34
		09 25940199	m 1.6 361.44
5	Bracket, Compressor	12554026	m 31.62
6	Tensioner, A/C Belt	12580196	m #.8 67.18
<i>#Includes R&R Drive Belt</i>			
	Belt, A/C	08 12576447	m .6 #32.18
		09 19210691	m .6 59.06

7	Tube, Evaporator	15229364	m .4 #115.64
8	Accumulator	15905244	m .5 86.74
9	Insulator, Accumulator-Serviced w/Accumulator		
10	Bracket, Accumulator	15194317	m 22.33
11	Hose, Accumulator	15057977	m .6 95.36
12	Hose, Condenser	15886917	m .6 #152.89



001-26822

13	Case, Evaporator		
	Upper	15780377	m #1.5 33.31
	Lower	15780376	m #1.5 43.23
<i>#R&R Complete, w/Instrument Panel Removed</i>			
14	Inlet, Air	15780375	m 23.65
15	Actuator, Air Inlet	89018365	m 263.57
16	Actuator, Temp Valve (2)	89018365	m 263.57
17	Cover, Housing	89018299	m 13.71
18	Actuator, Mode Control	89018374	m .8 78.30
19	Valve, Defroster	89018304	m 22.59
20	Core, Evaporator	89018296	m #1.0 248.96
21	Cover, Core	89018295	m 43.01
22	Upper	89018307	m 52.52
23	Lower	89018306	m 52.52
24	Core Assy, Heater	89018297	m #1.2 210.95
<i>#w/Instrument Panel Removed</i>			
25	Lever, Mode	52474960	m 7.29
<i>†Included w/Heater Core Assy</i>			
26	Shield, Heat	89018302	m 75.49
27	Motor, Blower	20760618	m 1.0 184.24
28	Module, Blower Control	15141283	m .8 92.50
29	Harness, A/C	15887352	m 63.22

FRONT FENDER

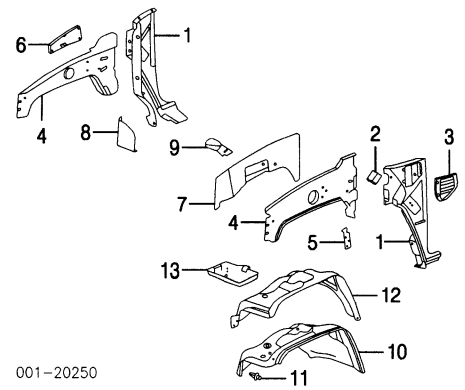
Use Procedure Explanations 7 and 28 with the following text.

SHEET METAL

Refinish Fender Outside	R/L 2.0
Add to Edge Fender	R/L .5
Refinish Upper Reinf	R/L .5
Refinish Wheelhouse Panel	R/L 1.0
R&I Fender	R/L .5

Illustration Located in Next Column

1	Fender, Front	R 15266356	.8 337.34
		L 15266355	.8 351.59
2	Tape, Protective	03-06 R/L 15186424	#.1 3.86
<i>#Time is for Installation only</i>			
3	Cover, Air Intake	03 R 15063130	#.1 15.53
		L 15063129	d17.19
		04-09 R 15106172	#.1 19.38
		L 15106173	#.1 20.17
<i>#Included in R&R Front Fender</i>			
4	Reinf, Upper	R 88980592	3.0 311.12
		L 88944301	3.0 305.38
5	Stop, Hood-See Hood Section		
6	Cover, Upper Reinf	R 15080962	.4 178.88
7	Panel, Inner	R 88974302	1.5 336.18
		L 19179206	1.5 270.00
8	Extension, Inner Panel	R 15773449	.6 87.05

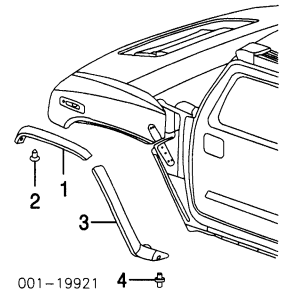


001-20250

9	Gusset, Inner Panel	L 15773448	.6 84.66
		R 15261540	.4 50.94
		L 15069633	.4 104.44
10	Shield, Splash	R 15193457	.4 131.22
		L 25957511	.4 129.29
11	Retainer, Splash Shield	R/L 25655337	.74
12	Panel, Wheelhouse	03-07 R 88980787	4.2 280.88
		L 25863805	4.2 244.63
		08-09 R 88980787	4.2 280.88
		L 25863805	4.2 244.63
13	Tray, Battery-See Electrical Section		

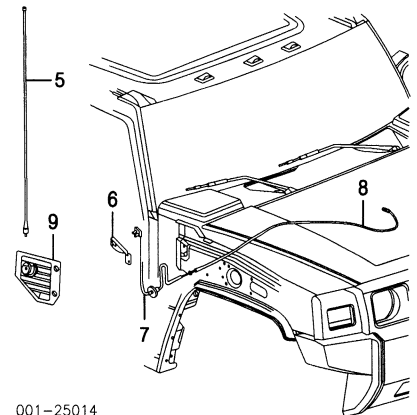
EXTERIOR TRIM

Refinish Upper Wheel Opening Flare	R/L .7
R&I Upper Wheel Opening Flare	R/L .2
R&I Lower Wheel Opening Flare	R/L .3



001-19921

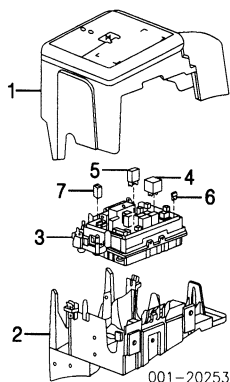
1	Flare, Upper Wheel Opening		
	Black	R 15200467	.2 74.04
		L 15200466	.2 77.88
	Blue	06-07 R 15294005	.2 162.35
		L 15294004	.2 162.37
	Paint to Match	06-09 R 19120908	.2 196.91
		L 19207331	.2 179.37
2	Retainer, Upper Flare	R/L 11561878	.96
3	Flare, Lower Wheel Opening		
	Black	R 15132308	.3 67.95
		L 15132309	.3 67.88
	Blue	06-07 R/L 15294001-0	.3 162.37
	Paint to Match	06-09 R/L 19207473-4	.3 179.37
4	Retainer, Lower Flare	R/L 11588833	4.71



001-25014

5	Antenna	R 15931264	.1 76.41
6	Bracket, Antenna	R 15118440	#.3 22.29
7	Base, Antenna	R 15118444	#.3 105.23
<i>#R&R Complete, Includes R&I/R Antenna</i>			
8	Cable, Antenna	R 88987275	24.78
9	Cover, Air Intake-See Sheet Metal Section		

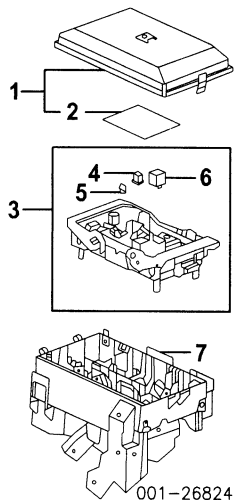
ELECTRICAL COMPONENTS 2003-07



1 Cover, Fuse Block	03-06	15811689	.1	18.16
	07	15291011	.1	27.76
2 Bracket, Fuse Block		15175348		17.25
3 Block, Fuse Relay (a)		15786043	m	442.63
4 4 Terminal		12177236		8.92
5 5 Terminal		19115080		16.46
6 Fuse, Mini (a)		88861352		2.87
7 Fuse, Maxi (a)		15319479		5.07

Order by Application
(a) As Required

ELECTRICAL COMPONENTS 2008-09

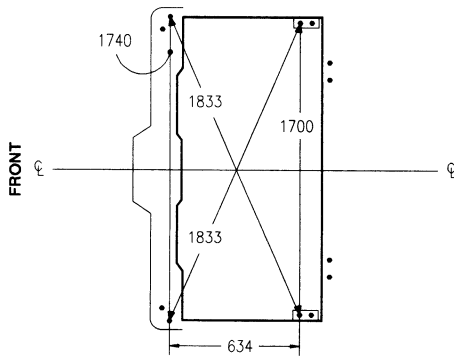


1 Cover Assy, Fuse Box		25817579	.1	53.40
2 Label, Fuse Box		15930276		28.56
		<i>Included w/Fuse Box Cover Assy</i>		
3 Block Assy, Fuse		15282679	m	345.09
4 Fuse (a) (b)		15209748	.1	4.35
5 Fuse, Mini (a) (b)		12191645	.1	.74
6 Relay (a) (b)		12177236	.2	8.92
		<i>(a) Included w/Fuse Block Assy (b) Order by Application</i>		
7 Bracket, Fuse Block		10376584		75.77

UNDERHOOD DIMENSIONS

Illustration Located in Next Column

061-10100



AIR BAG SYSTEM

Use Procedure Explanation 30 with the following text.

NOTE 1: R&R Does Not include disable and enable or diagnose Air Bag System.

NOTE 2: Refer to Procedural Explanation 30 for Supplemental Restraint/Air Bag System Component Inspection and Replacement Information.

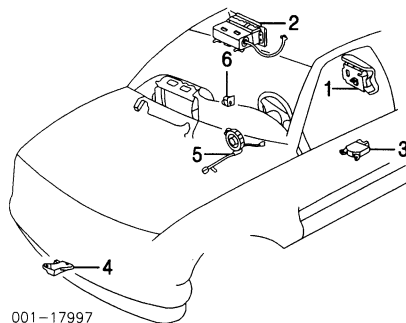
NOTE 3: Instrument Panel Support must be replaced if the Steering Column Capsules have released or the Column has collapsed, steel Knee Bolster Brackets are bent or parts which attach to the magnesium support do not fit.

NOTE 4: For Air Bag System Service Procedures, refer to Manufacturer's Service Repair Manual or Mitchell's Air Bag Service and Repair Manual.

FRONT

Disable & Enable Air Bag System	m	.5
Diagnose Air Bag System (If Required)	m	#.5

#Includes Disconnect & Connect Scan Tool & Retrieve/Clear Trouble Codes



001-17997

1 Module, Driver Air Bag				
2003				
Ebony		15197954	m	.4 814.52
Wheat		15074697	m	.4 773.32
2004		15197954	m	.4 814.52
2005-07		10394540	m	.4 796.90
2008		25953087	m	.4 734.10
2009		25953087	m	.4 734.10
2 Module, Passenger Air Bag	03-07	25785822	m	1.6 797.93
	08-09	15241691	m	1.6 752.44
3 Reinf. Module-See Instrument Panel Section				
3 SDM Unit	03-04	12231750	m	.9 433.03
	05	12249649	m	.9 345.74
	06-07	19115398	m	.9 272.05
	08-09	10366054	m	.9 247.70
4 Sensor, Front Discriminating (2)	03-04	15177813	m	.6 87.66
	05-07	10370148	m	.6 97.65
	08-09	10366053	m	.6 72.80
5 Coil, SIR				
2003-07		26095673	m	.8 116.62
2008		15829231	m	.8 42.26
2009				
1st Design		25954142	m	.8 110.98
2nd Design		25954142	m	.8 110.98
6 Switch, Air Bag Deactivation	03-07	15270597	m	#.6 43.56
	08-09	15877344	m	#.6 47.05

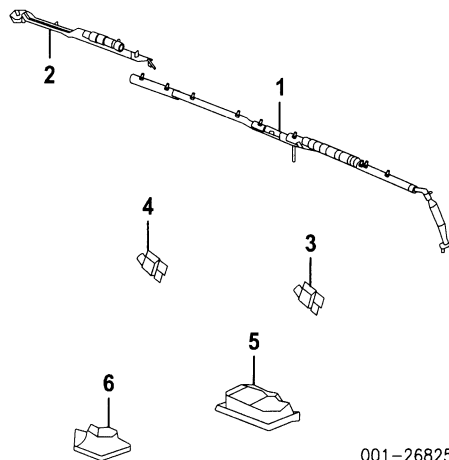
#Included in R&R Instrument Panel

Pretensioner, Seat Belt-See Front Seat Section

SIDE

Disable & Enable Air Bag System	m	.5
Diagnose Air Bag System (If Required)	m	#.5

#Includes Disconnect & Connect Scan Tool & Retrieve/Clear Trouble Codes



001-26825

Module, Side Curtain Air Bag

1 Front	R	25996497	m	#.8 363.98
	L	25996496	m	#.8 355.08
2 Rear	O8	25909911	m	#.5 215.94
	L	25909910	m	#.5 228.84
	O9	25909911	m	#.5 215.94
	L	25909910	m	#.5 228.84

#w/Headliner Removed

Sensor, Side Impact

3 Front	R/L	25854193	m	#.3 72.80
4 Rear	R/L	25854194	m	#.3 72.80

#w/Door Trim Panel Removed

SDM Unit-See Front Section

6 Sensor, Roll Over		10366058	m	#.3 222.96
---------------------	--	----------	---	------------

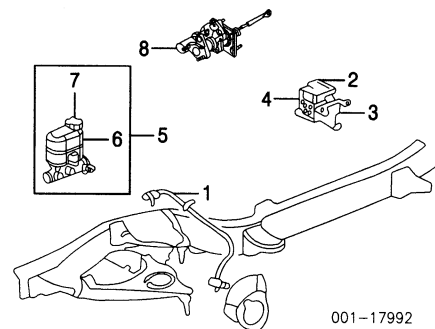
#w/Rear Seat Assy Removed

ABS/BRAKES

2003-07

Bleed System	m	1.0
--------------	---	-----

NOTE: R&R Does Not include bleed brake system.



001-17992

1 Sensor, Front ABS-See Front Suspension Section				
2 Sensor, Rear ABS		12479215	m	.7 209.28
2 Module, ABS Control	03-04	19121234	m	1.3 678.46
	05-07	19121234	m	1.3 678.46
		15064195	#.2	31.18
3 Bracket, Control Module				
		#w/Control Module Removed		
4 Valve, Module		19121235	m	966.40
5 Cylinder Assy, Brake Master		18047533	m	.9 283.54
6 Reservoir, Cylinder		18048543	m	.5 59.94
7 Cap, Cylinder		22688449		33.53
		#Included w/Brake Master Cylinder Assy		
8 Booster Assy, Brake		15861643	m	#1.5 659.84
		#Includes R&R Brake Master Cylinder Assy		
Valve, Control (a)	03	15635042	m	d184.21
	04	10398682	m	55.72
	05-07	N.A.	m	0.00

(a) Included w/Brake Booster Assy

2008-09

Bleed System	m	1.0
--------------	---	-----

NOTE: R&R Does Not include bleed brake system.

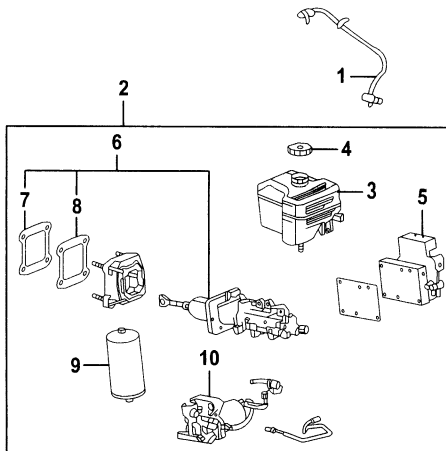
Illustration Located in Next Column

1 Sensor, Front ABS-See Front Suspension Section				
2 Sensor, Rear ABS	R/L	15285282	m	.7 121.94
2 Cylinder Assy, Actuator/Master				
2008				

HUMMER H2/H2 SUT 2003-09

ABS/BRAKES Cont'd

2008-09 Cont'd

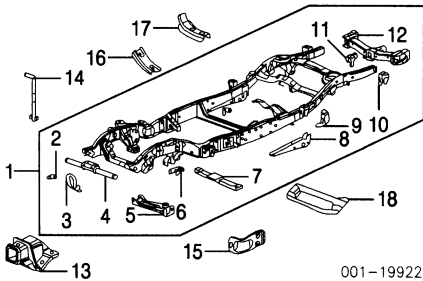


001-26826

1st Design	19178800	m	2.2	2084.89
2nd Design	25928351	m	2.2	2452.49
2009	25928352	m	2.2	1911.78
3 Reservoir, Cylinder	25826177	m	.9	132.67
4 Cap, Reservoir	08 22688449			33.53
	09 25950517			25.72
5 Module, ABS Control				
2008				
1st Design	25928348	m	2.6	1062.84
2nd Design	25928348	m	2.6	1062.84
2009	25928348	m	2.6	1062.84
6 Cylinder Assy, Brake Master	25826147	m	2.8	892.50
Gasket, Cylinder (a)				
7 Outer	25821318	m		13.48
8 Inner	25821319	m		9.35
(a) Included w/Brake Master Cylinder Assy				
9 Accumulator	25826182	m	2.4	311.96
10 Pump, Brake Booster	25826181	m	2.4	654.32
(a) Included w/Actuator/Master Cylinder Assy				

FRAME

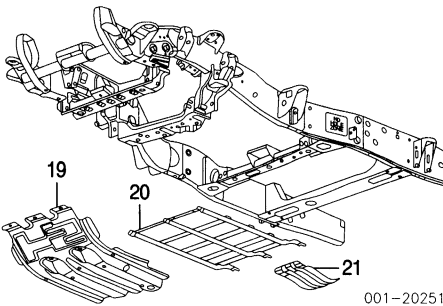
Use Procedure Explanation 9 with the following text.



001-19922

1 Frame Assy	03-07 15829088		34.5	3285.32
	08 15143881		34.5	3943.70
	09 N.A.		34.5	0.00
2 Hook, Tow	R/L 15062628		.2	118.07
3 Bracket, Bumper	R 15058332		1.0	248.26
	L 15058331		1.0	258.92
4 Crossmember, Front	03-08 88982730		3.0	429.48
	09 N.A.		3.0	0.00
5 Crossmember, Suspension	03-07 15212425		1.0	321.44
	08-09 15212425		1.0	321.44
6 Bracket, Rad Support	03-08 R 15058336		2.0	94.76
	L 15058335		2.0	93.02
	09 R/L N.A.		2.0	0.00
	03-08 15058405		1.0	236.21
	09 N.A.		1.0	0.00
Bracket, Control Arm				
8 Lower	R 15060198			70.48
	L 19121250			118.98
	R/L 15060196-5			74.40
9 Upper	R/L 88982414			119.64
10 Bracket, Rear Mounting	R 88982423			103.16
11 Bracket, Absorber	L 88982422			98.20
12 Hitch, Trailer	03-08 15212432		#.8	395.93
	09 N.A.		#.8	0.00
(a) Included w/Frame Assy				
#w/Rear Bumper Assy Removed				
13 Receiver, Front Winch				
2003-05	15059237		#.3	126.14
2006				
0 Degree	15059237		#.3	126.14
10 Degree	15911899		#.3	246.22
2007-09	15059237		#.3	126.14

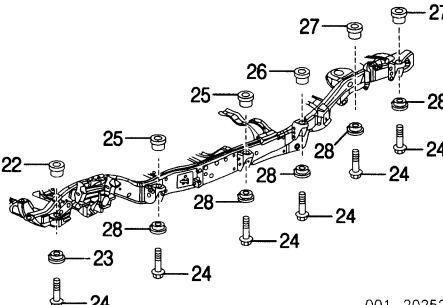
#w/Front Bumper Assy Removed				
14 Pin, Lock-See Wheel Section				
15 Shield, Front Heat	R 15028076		.3	12.59
	L 15028077		.3	12.71
	15061711		.3	45.28
16 Shield, Trans Heat	15268134		.3	20.10
17 Shield, Center Heat	15028301		.3	10.20
18 Shield, Rear Heat				



001-20251

Plate, Skid				
19 Front	15058411		.6	443.23
20 Center	03-07 15179139		#.3	211.74
	08-09 10375533		#.3	184.65

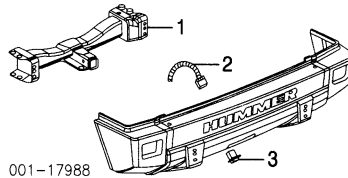
#w/Front Skid Plate Removed				
21 Rear	10375532		.3	25.76



001-20252

22 Cushion, Upper Rad Supt	R/L 25857633			45.32
23 Cushion, Lower Rad Supt	R/L 15201791			13.35
24 Bolt, Cushion (6/Side)	R/L 11519402			4.46
Cushion, Upper Body (a)				
25 Front	R/L 25806621			45.60
26 Center	R/L 25806622			33.95
27 Rear	R/L 10358347			40.78
(a) As Required				
28 Cushion, Lower Body (5/Side)	R/L 15201791			13.35

TRAILER HITCH



001-17988

1 Hitch, Trailer-See Frame Section				
2 Harness, Wiring				
	w/Off Road Susp	03 15195468	m	1343.08
		04 15117084	m	682.92
		05 25797633	m	598.28
		06-07 25797632	m	418.72
		08-09 25904947	m	822.10
	w/Off Road Susp	03 15195468	m	1343.08
		04 15117084	m	682.92
		05-07 25797630	m	449.44
		08-09 25888234	m	616.79
(a) Order by Application				
3 Plug, Harness	15162416			74.67

WHEEL

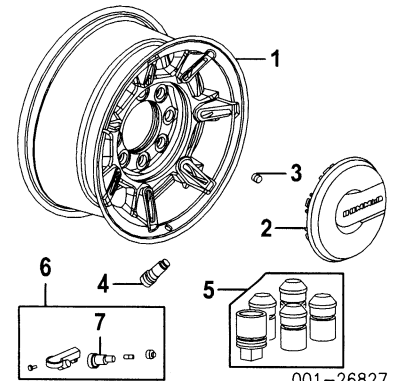
Use Procedure Explanation 10 with the following text.

ALLOY WHEEL

Add to R&I Spare Wheel & Tire Assy	.2
------------------------------------	----

Illustration Located in Next Column

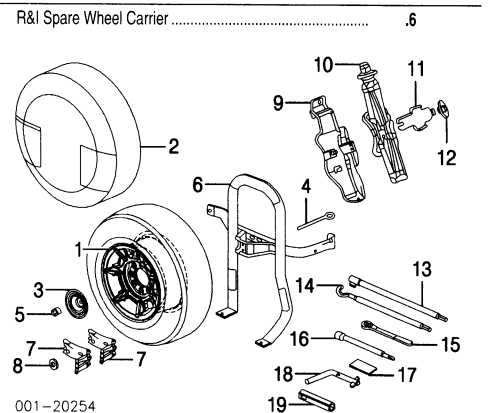
1 Wheel, Alloy	17x8-1/2"
----------------	-----------



001-26827

RPO-P44	04-07 9596883		.3	749.95
RPO-QA3	03-07 9595566		.3	668.41
	08-09 9595957		.3	462.00
RPO-QX2	06 15228779		.3	751.25
RPO-Q9W	08-09 9596088		.3	558.37
20x8-1/2"				
RPO-P35	08-09 9595940		.3	1082.17
RPO-PJ4	09 9598478		.3	1506.05
2 Cap, Hub				
Cast Alloy Wheels	9594462			66.29
Chromed Alloy Wheels	9595931			80.59
(a) Order by Application				
3 Nut, Lug	9595174			1.94
4 Stem, Valve	9593595			5.36
5 Lock Kit, Wheel				
Dealer Installed	03-05 12498076			39.00
	06-09 12498076			39.00
(a) Order by Application				
6 Sensor Assy, Tire Pressure (4)	08-09 15922396			72.32
7 Stem, Valve (a)	08-09 15263240			8.74
(a) Included w/Tire Pressure Sensor Assy				

SPARE WHEEL & HARDWARE INTERNAL 2003-05

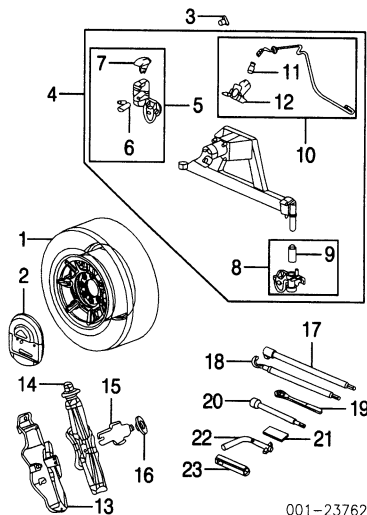


001-20254

R&I Spare Wheel Carrier			.6	
1 Wheel, Spare				
Cast Alloy	9595566			668.41
Chromed Alloy	04-05 9596883			749.95
Polished Alum	15228779			751.25
2 Cover, Spare	15118466			193.06
3 Retainer, Spare Wheel	15065716			69.85
4 Bolt, Retainer	11519670			17.58
5 Nut, Retainer	15118764			16.29
6 Carrier, Spare Wheel	10357903		.6	398.86
7 Block, Wheel	15206221			36.55
8 Nut, Spare Wheel	25636527			1.33
9 Bracket, Jack Mtg	15919577			96.88
10 Jack	03 15204389			161.86
	04-05 15125564			126.65
11 Clamp, Jack Mtg	15190563			32.16
12 Nut, Jack Retainer	11609971			3.65
13 Extension, Handle	15639091			30.93
14 Handle, Jack	12387938			46.76
15 Wrench, Lug	15548837			30.48
16 Extension, Lug Wrench	15659721			50.29
17 Label, Jack Usage-See Information Labels Section				
18 Pin, Lock	15059236			53.55
19 Socket, Wheel Bolt	15171970			36.42

SPARE WHEEL & HARDWARE EXTERNAL 2005-09

R&I Spare Wheel Carrier	.6
-------------------------	----



001-23762

1 Wheel, Spare Cast Alloy	05 9595566	668.41
	06-09 88967225	585.32
Chromed Alloy	9596883	749.95
Polished Alum	15228779	751.25
2 Cover, Spare		
Cast Alloy	25782334	119.50
Chromed Alloy, Polished	25782333	140.64
*Order by Application		
3 Retainer, Spare	15105153	17.93
4 Carrier Assy, Spare Wheel	25864505	.6
5 Latch Assy, Support	06 25864506	2 649.71
	07-09 25864506	.2
6 Insulator, Spare Wheel (a)	15136081	28.96
7 Striker, Carrier (a)	15894724	171.49
(a) Included w/Support Latch Assy		
8 Hinge, Lower	15267627	.6
9 Sleeve-Serviced w/Lower Hinge		
10 Lamp Assy, License	15246319	161.54
11 Lamp, License (c)	5978454	16.38
12 Bulb, Lamp (c)	9421330	.84
(c) Included w/License Lamp Assy		
*Included w/Spare Wheel Carrier Assy		
13 Bracket, Jack Mtg	15919577	96.88
14 Jack	15125564	126.65
15 Clamp, Jack Mtg	15190563	32.16
16 Nut, Jack Retainer	11609971	3.65
17 Extension, Handle	15639091	30.93
18 Handle, Jack	12387938	46.76
19 Wrench, Lug	15548837	30.48
20 Extension, Lug Wrench	15101405	29.24
21 Label, Jack Usage-See Information Labels Section		
22 Pin, Lock	15059236	53.55
23 Socket, Wheel Bolt	15171970	36.42

FRONT SUSPENSION

Use Procedure Explanation 11 with the following text.

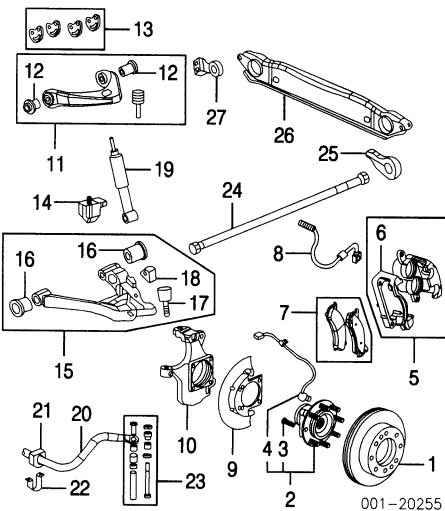
R&I Suspension (One Side)	R/Lm	3.2
O/H Suspension (Includes R&I)		
One Side	R/Lm	4.5
Both Sides		8.6
Adjust Front Alignment	m	2.1
Bleed Brake System	m	1.0

NOTE 1: R&I/R&R or O/H Does Not include alignment or bleed brake system.

NOTE 2: All Parts in this section are included in overhaul unless noted otherwise.

Illustration Located in Next Column

1 Rotor, Brake	03-08 R/L 18060215	m #.6	131.98
	09 R/L 15942195	m #.6	111.98
#R&R Both Sides 1.0			
2 Hub & Bearing Assy	03-06 R/L 15946732	m #1.7	459.89
	07 R/L 15946732	m #1.7	459.89
	08-09 R/L 15910968	m #1.7	534.15
#Includes R&R Rotor, R&R Both Sides 3.2			
3 Stud, Wheel (8/Side)	R/L 11588810	m	6.16
4 Sensor, Front ABS	03-05 R/L 15225723	m #.9	89.62
	06-07 R/L 15225723	m #.9	89.62
	08 R/L 15881881	m #.9	88.91
	09 R/L 20835870	m #.9	88.03
*Included w/Hub & Bearing Assy			
5 Caliper Assy, Brake	R/L 25846387-6	m #.5	165.21
6 Bracket, Caliper (c)	R 25997055	m #.5	126.19
	L 25997053	m #.5	125.26
(c) Included w/Brake Caliper Assy			
#R&R One Side Complete, R&R Both Sides .8			
7 Pad Set, Brake	03-07 25924485	m #1.0	224.24



001-20255

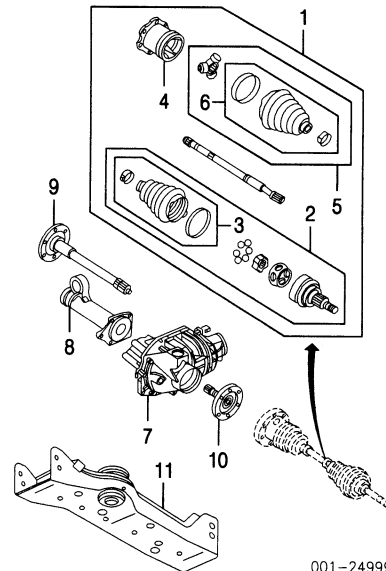
8 Hose, Brake	03-07 R 15852642	m #.3	42.40
	L 15852641	m #.3	42.42
	08-09 R/L 15921148-7	m #.3	45.76
#w/Caliper Removed Deduct .2			
9 Shield, Brake	03-08 R/L 15719023	m #.2	16.89
	09 R/L 25846355	m #.2	53.34
#w/Hub/Bearing Assy Removed			
10 Knuckle Assy, Steering	R 25850471	m #2.0	149.31
	L 25850470	m #2.0	143.66
Seal, Knuckle (f)	R/L 15017464	m	6.75
(f) Included w/Steering Knuckle Assy			
#Includes R&R Rotor, Hub/Bearing Assy & Splash Shield, R&R Both Sides 3.8			
11 Arm Assy, Upper Control	R/L 15224737	m #1.3	185.74
#R&R Both Sides 2.4, w/Knuckle Removed Deduct .6			
12 Bushing, Upper Cont Arm (b) (2/Side)	R/L 15711270	m #.3	36.40
(b) Included w/Upper Control Arm Assy			
#w/Control Arm Removed, Not Included in O/H			
13 Cam Kit, Arm Adjusting (a)	12472859	m	123.12
(a) Kit Includes Both Sides			
14 Bumper, Lower Control Arm	R/L 15835667	#.2	26.84
#Not Included in O/H			
15 Arm Assy, Lower Control	R 25905441	m #2.7	456.29
	L 25905440	m #2.7	428.81
#R&R Both Sides 5.2, w/Knuckle Removed Deduct .6			
16 Bushing, Lower Control Arm (d)-Serviced w/Lower Control Arm Assy	R 88891781	m #.9	111.40
17 Joint, Lower Ball (d)	R/L 12475477	m #.9	111.40
#R&R Both Sides 1.6, w/Knuckle Removed Deduct .4			
18 Bracket, Shock Absorber (d)	R/L 15037379		9.56
(d) Included w/Lower Control Arm Assy			
19 Absorber, Shock	R/L 89040182	m #.7	100.07
#R&R Both Sides 1.2, w/Lower Control Arm Removed Deduct .4			
20 Bar, Stabilizer	15056006	m #1.0	131.86
#Includes R&R Stabilizer Links, Brackets & Bushings, Not Included in O/H			
21 Bushing, Stabilizer	R/L 15005612	m #.3	23.72
22 Clamp, Stabilizer Bar	R/L 88891781	m #.3	5.48
#R&R One Side Complete, Not Included in O/H			
23 Link, Stabilizer	R/L 15840266	m #.4	36.04
#Not Included in O/H			
24 Bar, Torsion	R/L 15528958-7	m #1.3	300.23
#R&R Both Sides 2.4, Not Included in O/H			
25 Arm, Torsion Bar (e)	R 15045171	m	39.17
	L 15657374	m	38.79
(e) Order by Application			
26 Support, Torsion Bar	15061707	m	76.19
27 Bracket, Support	R/L 15044557	m	55.34

FRONT DRIVE AXLE

R&I Axle Shaft Assy	R/Lm	#.9
#w/Necessary Suspension Components Removed		
R&I Carrier Housing Assy		m 2.3

Illustration Located in Next Column

1 Shaft Assy, Axle	R/L 15868120	m #.9	725.43
#w/Necessary Suspension Components Removed			
2 Joint Assy, Outer CV	R/L 26058362	m #.6	339.87
3 Boot Kit, Outer (a)	R/L 15868188	m #.6	69.75
(a) Included w/Outer CV Joint Assy			
#R&R One Side Complete, w/Axle Shaft Assy Removed			
4 Housing, Tripot	R/L 26056765	m #.6	110.15
5 Spider Assy, Tripot	R/L 15295246	m #.6	218.94
6 Boot Kit, Tripot (b)	R/L 26062618	m #.6	33.66
(b) Included w/Tripot Spider Assy			
#R&R One Side Complete, w/Axle Shaft Assy Removed			

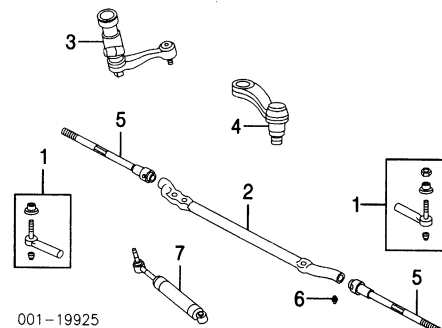


001-24999

7 Housing, Carrier	19121766	m #.8	900.35
8 Tube, Housing	12479154	m #2.3	176.63
#w/Necessary Suspension Components Removed, Includes R&I/R&R Axle Shaft Assy			
9 Shaft, Right Axle			
2003-07	R 19169123	m #1.3	695.39
2008			
1st Design	R 19169123	m #1.3	695.39
2nd Design	R 19206697	m #1.3	264.63
2009	R 19206697	m #1.3	264.63
10 Shaft, Left Axle			
2003-07	L 26058806	m #.6	344.59
2008			
1st Design	L 26058806	m #.6	344.59
2nd Design	L 25931936	m #.6	234.07
2009	L 25931936	m #.6	234.07
#w/Necessary Suspension Components Removed			
11 Crossmember, Suspension-See Frame Section			

FRONT STEERING LINKAGE/GEAR

STEERING LINKAGE



001-19925

1 End, Outer Tie Rod	R/L 15891515	m #.3	82.61
2 Rod, Relay	15891517	m #1.1	426.07
#Includes R&R Outer Tie Rod Ends			
3 Arm, Idler	15891516	m #.8	218.00
4 Arm, Pitman-See Steering Gear Section			
5 Rod, Inner Tie	R/L 15295861	m #.6	112.43
#R&R Both Sides .9, Includes R&R Outer Tie Rod End			
6 Fitting, Grease (As Required)	15891514		5.56
7 Absorber, Steering	15059138	m #.6	97.68

STEERING GEAR 2003-07

R&I Steering Gear Assy		m 2.2
------------------------	--	-------

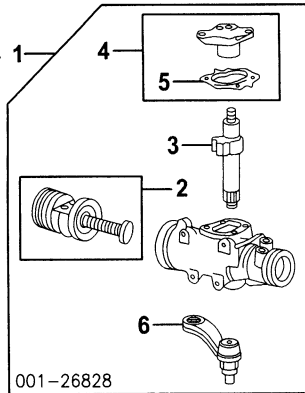
Illustration Located in Next Column

1 Gear Assy, Steering			
2003-06	15166613	m 2.4	864.77
2007			
1st Design	15166613	m 2.4	864.77
2nd Design	19180556	m 2.4	864.86
2 Rack & Piston	4717529	m 3.2	411.98
3 Shaft, Pitman	26092285	m 3.2	345.67

HUMMER H2/H2 SUT 2003-09

FRONT STEERING LINKAGE/GEAR Cont'd

STEERING GEAR 2003-07 Cont'd



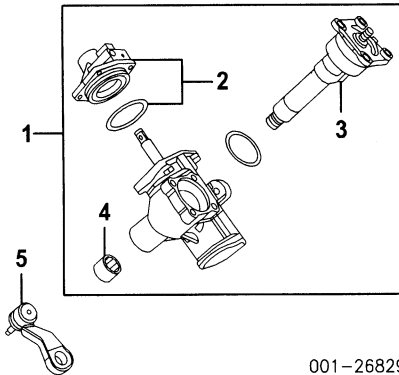
001-26828

4 Cover Assy, Housing	7817484	m	79.08
5 Seal, Cover (a)	7817486	m	34.33
(a) Included w/Housing Cover Assy			
6 Arm, Pitman (b)	12479051	m	1.6 d143.42
(b) Order by Application			
!Included w/Steering Gear Assy			

STEERING GEAR 2008-09

R&I Steering Gear Assy.....m 2.2

NOTE: All Parts in this section are included in overhaul unless noted otherwise.



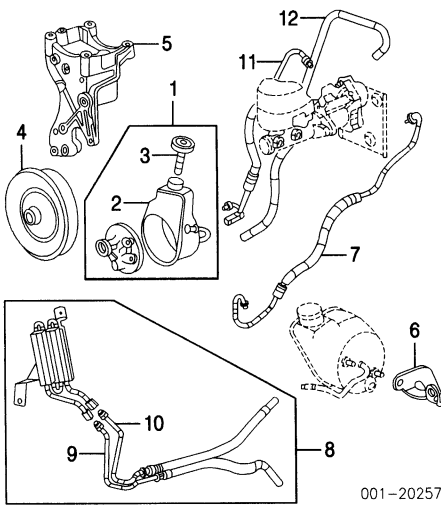
001-26829

1 Gear Assy, Steering	08 N.A.	m	2.4	0.00
	09 19180556	m	2.4	R464.86
2 Housing, Valve	26090546	m		153.91
3 Shaft, Pitman	15813692	m		258.58
4 Bearing, Shaft	5697804	m		56.42
!Included w/Steering Gear Assy				
5 Arm, Pitman	19168473	m	1.6	119.38

STEERING PUMP

Illustration Located in Next Column

1 Pump Assy	03-07 15909826	m	2.3	192.94
	08-09 20756710	m	2.3	168.05
2 Reservoir	03-07 26045591	m		73.67
	08-09 19207053	m		72.76
3 Cap, Reservoir	26095194	m		20.73
!Included w/Pump Assy				
4 Pulley, Pump	12604004	m	7	35.70
5 Bracket, Alt/Strg Pump-See Electrical Section	12554032	m		14.21
6 Brace, Rear Pump	03-07 15295857	m	1.1	69.51
	08-09 25810464	m	1.1	61.19
7 Hose, Pressure	03-07 15295858	m	.8	107.75
	08-09 N.A.	m	.8	0.00
8 Cooler Assy, Fluid		m	.8	0.00
Hose, Outlet (a)				
	9 Gear to Cooler	m	#.8	28.65
	10 Cooler to Pump	m	#.8	56.19
(a) Included w/Fluid Cooler Assy				
#R&R Complete				
11 Hose, Booster Inlet	03-07 15295850	m	.8	76.18
12 Hose, Booster Outlet	03-07 15804952	m	.8	78.76

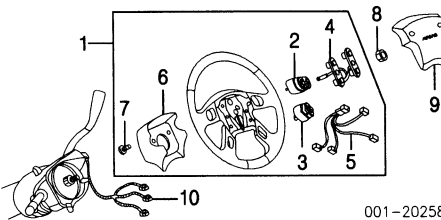


001-20257

STEERING WHEEL/COLUMN

NOTE: All Parts in this section are included in overhaul unless noted otherwise.

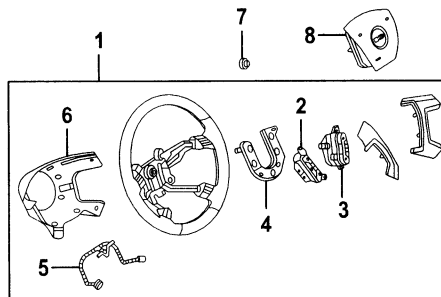
WHEEL & TRIM 2003-07



001-20258

1 Wheel Assy, Steering	03-04 10364490	m	.5	281.89
	05-07 10364488	m	.5	279.63
2 Switch, Radio Control	R 1999443	m	.3	24.95
	L 1999442	m	.3	29.14
3 Switch, Driver Info Center	R 21997739	m	.3	30.67
	L 21997738	m	.3	25.10
4 Contact, Horn	16821883	m		17.84
5 Harness, Wiring	16824549	m		43.21
6 Shroud, Strg Wheel	16824540	m	.5	11.23
7 Screw, Shroud (2)	16759159	m		4.04
!Included w/Steering Wheel Assy				
8 Nut, Steering Wheel	03-04 26056108	m		7.69
	05-07 11609659	m		4.95
9 Module, Driver Air Bag-See Air Bag System Section				
10 Coil, SIR-See Air Bag System Section				

WHEEL & TRIM 2008-09



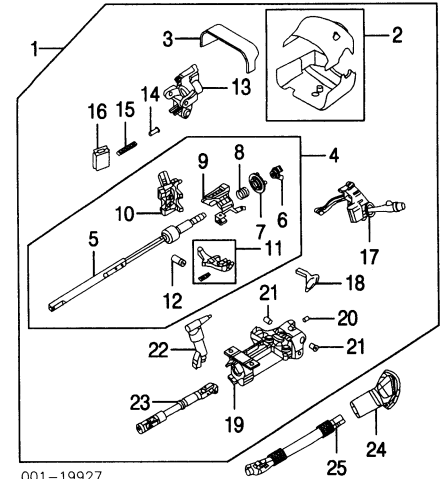
001-26830

1 Wheel Assy, Steering	2008 25849064	m	.5	128.31
	2009 Heated 25995626	m	.5	449.54
	Non-Heated 25855588	m	.5	318.59
2 Switch, Shifter	L 15857603	m	.3	53.68
2008				
(a) 2009				
	Heated Wheel L 25901034	m	.3	61.60
	Non-Heated Wheel L 15857603	m	.3	53.68
(a) Order by Application				
3 Switch, Radio	08 R 15819311	m	.3	40.17
	09 R 25851951	m	.3	40.90
4 Contact, Horn-Serviced w/Steering Wheel Assy				

5 Harness, Wiring-Serviced w/Steering Wheel Assy				
6 Shroud, Strg Wheel-Serviced w/Steering Wheel Assy				
!Included w/Steering Wheel Assy				
7 Nut, Steering Wheel	11609658	m		7.53
8 Module, Driver Air Bag-See Air Bag System Section				

COLUMN TILT 2003-07

R&I Steering Column.....m 1.0
O/H Steering Column (Includes R&I).....m 2.8



001-19927

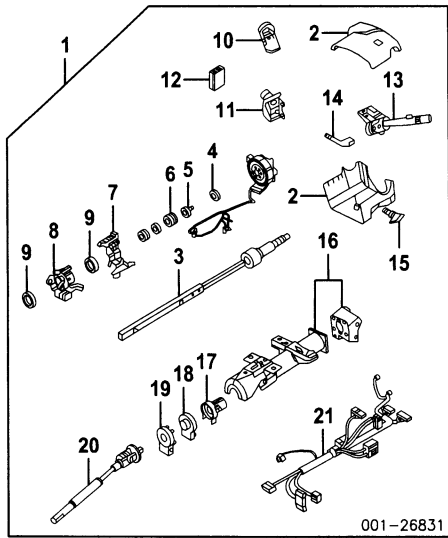
1 Column Assy, Steering	88965529	m	1.3	746.04
2 Cover Kit, Column	89039453	m	.5	69.57
3 Shroud, Column	26077712	m		49.26
4 Shaft Assy, Upper	88965530	m	2.5	365.94
2003-07				
2008-09-Serviced by Components				
5 Shaft, Upper	26094250	m	2.8	155.14
	2003-07 (a) 19177760	m	2.8	744.18
	2008-09 26049186	m		8.01
6 Cam, Plate (a)	26080344	m		20.13
	15775848	m		19.05
7 Cam, Signal Cancel	26055299	m		4.25
	2003-07 (a) 26075818	m		42.61
8 Spring, Bearing (a)				
9 Bracket, Ign Lock (a)				
10 Housing, Ignition Lock	88965342	m	2.8	109.17
	2003-07 (a) 19168539	m	2.8	225.72
	2008-09 26090202	m	.7	12.85
11 Lever, Tilt (a)	26036317	m		7.40
12 Pin, Lever (a)				
(a) Included w/Upper Shaft Assy				
13 Housing, Column	26087973	m	2.8	307.32
14 Guide, Spring	26034561	m		7.40
15 Spring, Tilt	26065450	m		9.27
16 Switch, Ignition	12450251	m	1.3	34.99
17 Switch, Signal	12450067	m		196.47
18 Handle, Tilt	26069514	m	.5	15.82
19 Support, Column	26094247	m		343.85
20 Bumper, Stop	26035863	m		7.42
21 Pin, Column Pivot (2)	26036521	m		8.39
22 Lock, Theft Deterrent	26056147	m		64.38
23 Shaft, Upper Strg	19153614	m	2.8	92.00
!Included w/Steering Column Assy				
24 Seal, Column	21996234	m		37.35
25 Shaft, Lower Strg Cylinder, Ign Lock	15772436	m	2.8	194.91
	15298923	m	.8	65.77

COLUMN TILT 2008-09 MANUAL

R&I Steering Column.....m 1.0
O/H Steering Column (Includes R&I).....m 2.8

Illustration Located in Next Column

1 Column Assy, Steering	19177760	m	1.3	744.18
2 Cover Kit, Column	19177758	m	.5	76.71
3 Shaft, Upper	19177760	m	2.8	744.18
4 Cam, Plate	26049186	m		8.01
5 Cam, Signal Cancel	15775848	m		19.05
6 Spring, Bearing	26055299	m		4.25
7 Bracket, Ign Lock	26075818	m		42.61
8 Housing, Ignition Lock	19168539	m	2.8	225.72
9 Bearing Kit	26001827	m		55.22
10 Module, Theft Deterrent	08 25861815	m	1.0	115.31
	09 25861815	m	1.0	115.31
11 Case, Lock Cyl	26088811	m		172.64
12 Switch, Ignition/Start	25733005	m	1.3	30.33
13 Switch, Headlamp	15849313	m	.9	40.28
14 Spring, Tilt Lever	5698410	m		6.65
15 Lever, Tilt	26069514	m	.5	15.82
16 Support, Column	19168530	m		d120.47
17 Adapter, Lower Bearing	15775851	m		33.21

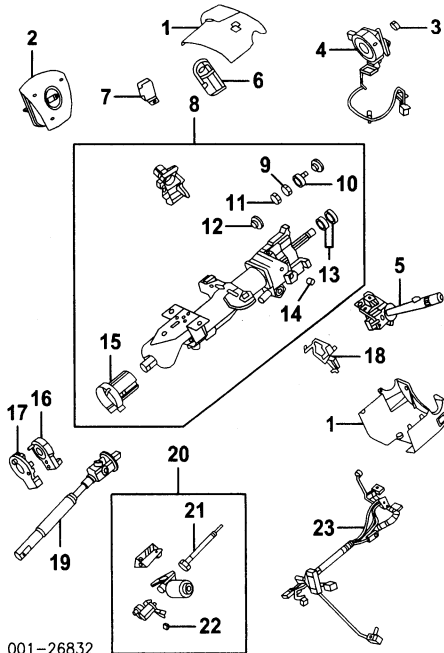


18 Sensor, Tilt Position	25855607	m	102.00
19 Clip	15775847	m	7.54
20 Shaft, Intermediate	25809424	m	149.84
21 Harness, Column	08 19168698	m	103.02
	09 25909681	m	d0.00

†Included w/Steering Column Assy

COLUMN TILT 2009 POWER

R&I Steering Column	m	1.3
O/H Steering Column (Includes R&I)	m	3.0



1 Cover Kit, Column	19177758	m	.5	76.71
2 Module, Drivers Air Bag-See Air Bag System Section	15849313	m	8	40.28
3 Nut, Steering Wheel	11809658	m	7.53	
4 Coil, SIR-See Air Bag System Section	25861815	m	1.0	115.31
5 Switch, Headlamp	25733005	m	.9	30.33
6 Module, Theft Deterrent	19181098	m	2.8	708.28
7 Switch, Ignition/Start	26049186	m	8.01	19.05
8 Column Assy, Steering	15775848	m	19.05	
9 Cam, Plate	26055299	m	4.25	
10 Cam, Cancel	15231641	m	10.35	
11 Spring, Upper	26001827	m	55.22	
12 Seat, Upper Bearing	26036521	m	8.39	
13 Bearing, Upper	15775851	m	33.21	
14 Pin, Pivot	25855607	m	102.00	
15 Adapter, Lower Bearing	15775847	m	7.54	
16 Sensor, Tilt Position	12355066	m	.32	
17 Clip, Mounting	25809424	m	1.7	149.84
18 Strap, Tie	19181095	m	1.4	82.72
19 Shaft, Intermediate	26078026	m	24.61	
20 Motor Assy, Tilt				
21 Cable, Tilt Motor (a)				

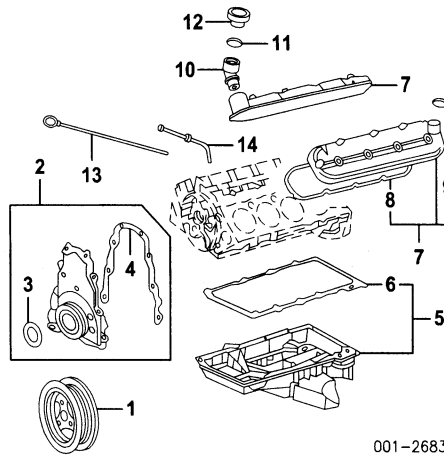
22 Bolt, Mounting (a) (2)	26064459	m	16.38
(a) Included w/Tilt Motor Assy			
23 Harness, Column	19181097	m	119.32

ENGINE/TRANS

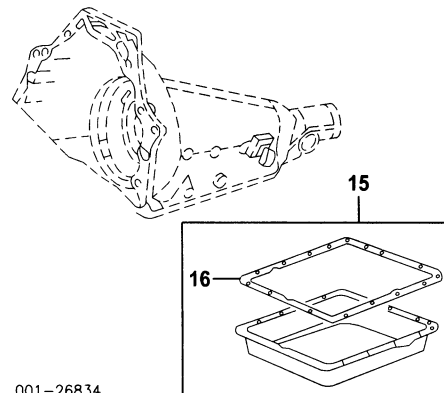
Use Procedure Explanation 12 with the following text.

6.0L ENG 2003-07

R&I Engine/Trans Assy	m	11.0
-----------------------	---	------



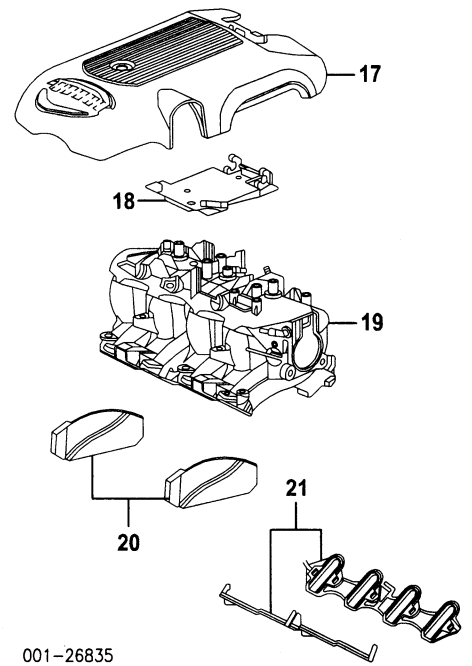
1 Pulley, Crankshaft	12576652	m	1.6	152.77
2 Cover Assy, Timing	12561243	m	#4.3	95.63
#Includes R&R Balancer w/Pulley				
3 Seal, Cover	12585673	m		27.24
4 Gasket, Timing Cover	12574294	m		26.25
†Included w/Timing Cover Assy				
5 Pan Assy, Engine Oil	03-06 12579273	m	#3.9	260.62
	07 12599806	m	#3.9	173.75
#Includes R&I Carrier Housing Assy				
Switch, Oil Level (a)	12603782	m	1.1	22.96
6 Gasket, Oil Pan (a)	12612350	m		38.94
(a) Included w/Engine Oil Pan Assy				
7 Cover Assy, Valve	R 12582224	m	#7	114.63
	L 12570427	m	#7	144.58
#R&R Both Sides 1,2				
8 Gasket, Valve Cover (b)	R/L 12612045	m		22.79
9 Grommet, Valve (b)	L 10198949	m		8.04
(b) Included w/Valve Cover Assy				
10 Tube, Oil Filler	R 12574386			52.43
11 Seal, Cap	R 24100002			2.76
12 Cap, Oil Filler	R 12573337			13.07
13 Dipstick, Eng Oil	12610053			16.63
14 Tube, Eng Dipstick	12563918		.5	21.28



001-26834				
15 Pan Assy, Trans Oil	24229658	m	.8	82.11
16 Gasket, Trans Oil Pan (c)	8654799	m		9.09
(c) Included w/Trans Oil Pan Assy				

Illustration Located in Next Column

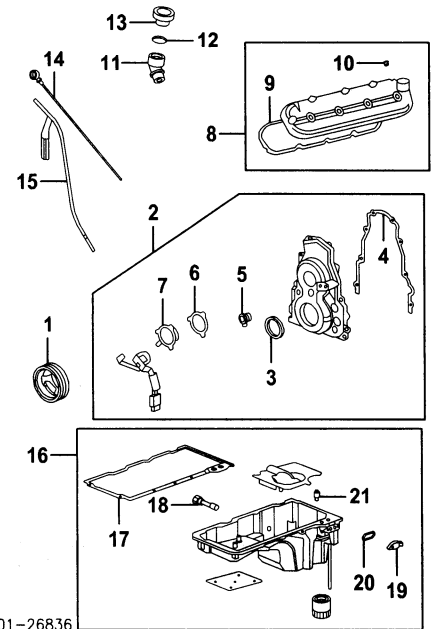
17 Cover, Intake Manifold	12580999	m	.3	54.06
18 Retainer, Intake	12561510	m		5.78
19 Manifold, Intake	03 89017365	m	2.8	501.46
	04-07 89017363	m	2.8	763.58
20 Insulator, Intake	17113563	m		13.66
21 Gasket, Manifold	89060413	m		106.19



001-26835

6.2L ENG 2008-09

R&I Engine/Trans Assy	m	11.8
-----------------------	---	------



001-26836

1 Pulley, Crankshaft	12576652	m	2.2	152.77
2 Cover Assy, Timing	12616491	m	#4.3	163.12
3 Seal, Cover	12585673	m	2.5	27.24
#Includes R&R Crankshaft Pulley				
4 Gasket, Timing Cover	12574294	m		26.25
5 Sensor, Camshaft Position	12591720	m		58.82
6 Seal, Sensor	12594339	m		9.55
7 Magnet, Sensor	12585995	m		42.97
†Included w/Timing Cover Assy				
8 Cover Assy, Valve	08 R 12582224	m	#8	114.63
	L 12570427	m	#8	144.58
	09 R/L 12607722-1	m	#8	137.76
#R&R Both Sides 1,4				
9 Gasket, Valve Cover (b)	08 R/L 12612045	m		22.79
	09 R/L 12612045	m		22.79
10 Fitting (b)	08 L 12567915	m		4.58
	09 L 12597772	m		33.69
(b) Included w/Valve Cover Assy				
11 Tube, Oil Filler	08 R 12574386			52.43
	09 R 12609624			11.75
12 Seal, Cap	08 R 24100002			2.76
	09 R 12593348			2.84
13 Cap, Oil Filler	R 12573337			13.07
14 Dipstick, Eng Oil	08 12610053			16.63
	09 12622055			16.61

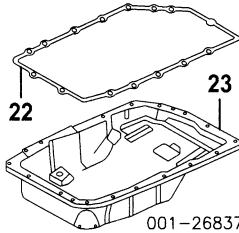
HUMMER H2/H2 SUT 2003-09

ENGINE/TRANS Cont'd

6.2L ENG

2008-09 Cont'd

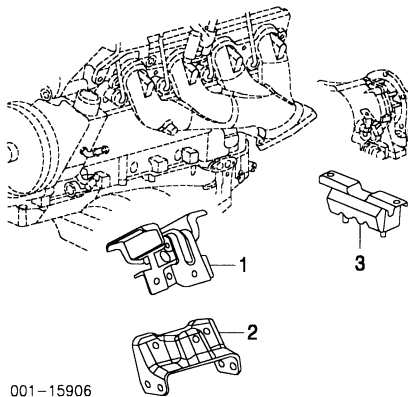
15 Tube, Eng Dipstick	08 12563918		.5	21.28
	09 12609269		.5	17.43
16 Pan Assy, Engine Oil	08 12619776	m	#4.6	203.61
	09 N.A.		#4.6	0.00
<i>#Includes R&I Carrier Housing Assy</i>				
17 Gasket, Oil Pan (b)	08 12612350	m		38.94
	09 12612350	m		38.94
18 Switch, Oil Level (b)	12603782	m	1.1	22.96
19 Cover, Oil Pan (b)	12577903	m		9.06
20 Gasket, Cover (b)	12611384	m		3.79
21 Valve, Pressure Relief (b)	12608835	m		7.43
<i>(b) Included w/Engine Oil Pan Assy</i>				



001-26837

22 Pan, Trans Oil	24222657	m	.8	23.04
23 Gasket, Trans Pan	24224781	m		18.61

ENGINE/TRANS MOUNTS



001-15906

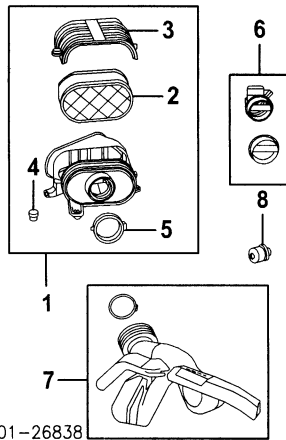
1 Mount, Front Eng				
Blue	03 R 25828247	m	#2.6	103.22
	L 25828247	m	#1.6	103.22
Orange	03-07 R 15226251	m	#2.6	104.20
	L 15226251	m	#1.6	104.20
Pink	08-09 R 15226255	m	#2.6	93.38
	L 15226255	m	#1.6	93.38
<i>#R&R Both Sides 3.6</i>				
2 Bracket, Eng Mount	R 15137614	#.3		99.07
	L 15871987	#.3		68.94
<i>#w/Front Eng Mount Removed</i>				
3 Mount, Rear Trans	15113134	m	.8	55.86

AIR CLEANER

R&I Air Cleaner Assy			.6	
----------------------	--	--	----	--

Illustration Located in Next Column

1 Cleaner Assy, Air	19153610		.6	229.74
2 Element, Air Cleaner	88944151		.3	0.00
3 Cover, Air Cleaner Housing	88944153			20.22
4 Grommet, Cover (3)	88944150			25.73
5 Seal, Outlet Duct				
<i>#Included w/Air Cleaner Assy</i>				
6 Sensor, Mass Air Flow	15904068	m	.3	262.65
7 Duct, Outlet	05-07 15059739		.3	196.29
	08-09 10359025		.3	102.22
8 Indicator, Air Restriction	03-07 15063809			27.95
	08-09 15929826			37.71

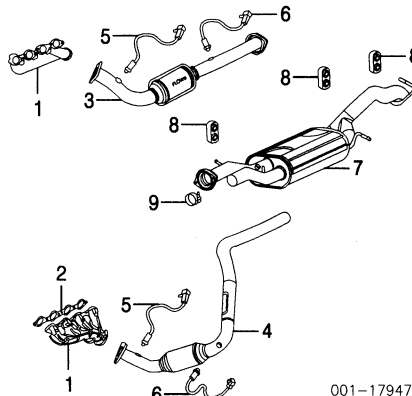


001-26838

EXHAUST

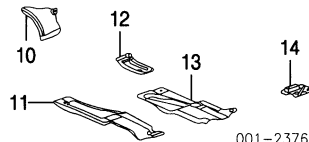
2003-06

R&I Exhaust System Complete		m	#3.0	
R&R Exhaust System Complete		m	#2.6	
<i>#Does Not Include R&R Exhaust Manifolds</i>				



001-17947

1 Manifold, Exhaust	R 12616286	m	2.7	245.85
	L 12616285	m	1.5	247.57
2 Gasket, Exhaust Manifold	R/L 12558573			16.31
Shield, Manifold Heat	R 12562244			50.03
	L 12562243			25.62
3 Pipe, Right Frt Exhaust	03 R 15060896	m	#1.7	612.39
	04-06 R 15229368	m	#1.7	511.50
4 Pipe, Left Exhaust	03 L 15229367	m	#2.2	511.50
	04-06 L 15229367	m	#2.2	511.50
<i>#Includes R&R Muffler, R&R Both Sides 3.0</i>				
5 Sensor, Front Oxygen-See Emission System Section				
6 Sensor, Rear Oxygen-See Emission System Section				
7 Muffler	10398386	m	1.1	832.39
8 Insulator, Hanger (3)	15092802			13.06
9 Clamp, Exhaust	15103174			14.04

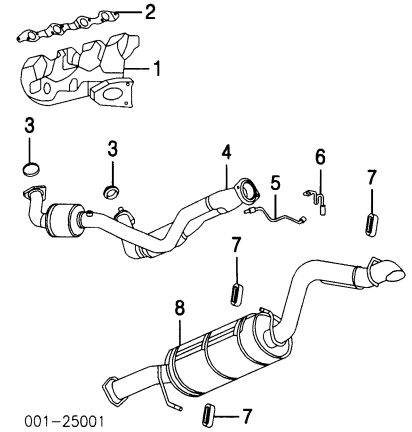


001-23763

10 Shield, Heat-See Cowl & Dash Section				
Shield, Front Exhaust Heat				
11 Right	03-05 R 15292580		#.2	28.53
	06 R 15292580		#.2	28.53
12 Left	L 15035337		#.3	14.58
13 Shield, Center Exhaust Heat	15740776		#.3	39.07
14 Shield, Rear Exhaust Heat	15195253		#.2	61.78
<i>#w/Exhaust System Removed</i>				

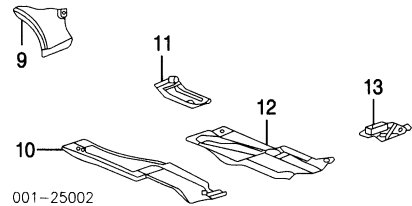
2007-09

R&I Exhaust System Complete		m	#3.3	
R&R Exhaust System Complete		m	#2.8	
<i>#Does Not Include R&R Exhaust Manifolds</i>				



001-25001

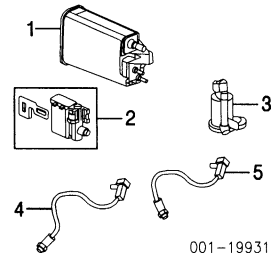
1 Manifold, Exhaust	R 12616286	m	2.7	245.85
	L 12616285	m	1.5	247.57
2 Gasket, Exhaust Manifold	07 R/L 12600530			14.33
	08-09 R/L 12617944			15.58
Shield, Manifold Heat	R 12562244			50.03
	L 12562243			25.62
3 Seal, Pipe	R 15035747			17.62
	L 15077362			15.82
4 Converter w/Pipe	07-08 15804783	m	1.8	875.84
	09 15948629	m	1.8	795.43
5 Sensor, Front Oxygen-See Emission System Section				
6 Sensor, Rear Oxygen-See Emission System Section				
7 Insulator, Hanger (3)	15092802			13.06
8 Muffler	07 15859652	m	1.5	536.32
	08 25947957	m	1.5	752.75
	09 15948636	m	1.5	448.61



001-25002

9 Shield, Heat-See Cowl & Dash Section				
Shield, Front Exhaust Heat				
10 Right	R 15292580		#.3	28.53
11 Left	L 15035337		#.2	14.58
12 Shield, Center Exhaust Heat	15740776		#.3	39.07
13 Shield, Rear Exhaust Heat	15195253		#.2	61.78
<i>#w/Necessary Bolted Parts and Assemblies Removed, Not Included in R&R Exhaust System Complete</i>				

EMISSION SYSTEM



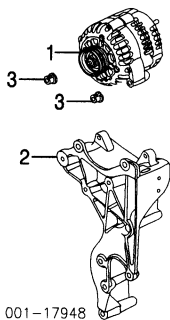
001-19931

1 Canister, Vapor	03 15062620	m	.5	124.02
	04-09 12573649	m	.5	198.05
2 Valve, Control	25932571	m		28.27
3 Valve, Canister Purge				
	2003 1997279	m	.3	36.35
	2004-07 12581282	m	.3	39.37
	2008-09 N.A.	m	.3	0.00
<i>#Order by Application</i>				
4 Sensor, Front Oxygen	03-06 R/L 12572705	m	#.5	187.35
	07-09 R/L 12589321	m	#.5	140.09
5 Sensor, Rear Oxygen	03-06 R/L 25333812	m	#.5	208.63
	07 R/L 12590847	m	#.5	109.74
	08 R/L 12609456	m	#.5	65.78
	09 R/L 12615194	m	#.5	58.11
<i>#R&R One Side Complete .8</i>				

HUMMER H2/H2 SUT 2003-09

ELECTRICAL

ALTERNATOR



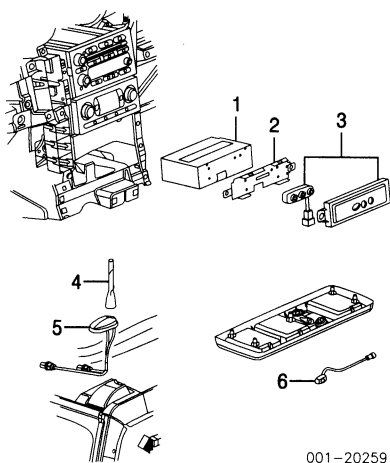
001-17948

1 Alternator	03-05 19151921	m	.8	R446.19
	06-07 15263859	m	.8	■300.88
	08-09 25877026	m	.8	486.94
2 Bracket, Alt/Strg Pump	12554030	m	.3	101.75
<i>#w/Alternator & Steering Pump Assy Removed</i>				
3 Spacer, Bracket	R/L 12550090			4.46

BATTERY

Battery	N.A.		.4	0.00
Cable, Positive Battery	03-07 15321247		.6	■163.00
	08 25902791		.6	254.74
	09 25902792		.6	257.85
Cable, Negative Battery	03-04 88986345		.4	41.94
	05-07 15291989		.4	60.30
	08-09 25902793		.4	105.90
Tray, Battery	03-07 15119301			52.63
	08-09 25856001			46.61
Support, Tray	15243408			9.38
Insulator, Battery	03-07 15177116			29.31
	08-09 25839606			29.31
Retainer, Battery	14005061			4.39

COMMUNICATIONS SYSTEM



001-20259

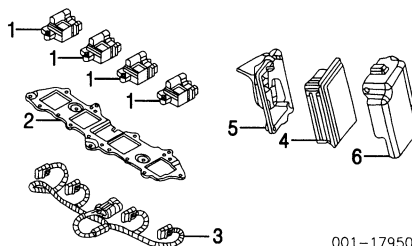
1 Module, Communication	N.A.	m	.5	0.00
<i>#Contact Dealer for Ordering Information</i>				
2 Bracket, Module	03-07 88987020	m	.5	13.33
	08-09 25791895	m	.5	11.17
3 Switch, On-Star	03-07 19115576	m	.5	367.83
	08-09 N.A.	m	.5	0.00
<i>#R&R Complete, w/Center Instrument Panel Assy Removed</i>				
4 Antenna, On-Star	2003-04 10335281		.1	38.66
	2005 w/Satellite Radio 15206651		.1	200.50
	w/o Satellite Radio 15206650		.1	103.38
	2006-07 10335503		.1	27.81
	2008-09 25775191		.1	106.60
5 Base, On-Star Antenna	03 22711791	m	.3	117.79
	04 22711791	m	.3	117.79
	05 25775305	m	.3	98.65
	06-07 15797223	m	.3	117.79
<i>#w/Headliner Removed</i>				
6 Microphone, On-Star	Headliner Mounted-See Roof Section			
	Roof Console Mounted-See Roof Section			

HORN

Horn, High Note	89046919		.3	63.41
Horn, Low Note	03-08 15248349		.3	25.15
	09 89046918		.3	67.15
Relay, Horn	19115080	m	.3	16.46

POWERTRAIN CONTROLS

R&R Ignition Coils Complete.....m 1.0



001-17950

1 Coil, Ignition (8)	Delphi Brand	03-07 10457730	m	.4	117.12
		08-09 12573190	m	.4	118.48
	Mitsubishi Brand	03-07 12558693	m	.4	64.01
		08-09 12611424	m	.4	108.67
2 Bracket, Ign Coil	Delphi Brand	03-07 R/L 10457736		.#1	66.42
		08-09 R/L 12580353		.#1	35.26
	Mitsubishi Brand	03-07 R/L 12569188		.#1	35.05
		08-09 R/L 12580353		.#1	35.26
<i>#w/Ignition Coil Removed</i>					
3 Wire, Ignition	Delphi Brand	03-07 R/L 89017477	m	.#8	■106.75
		08-09 R/L 12579355	m	.#8	■37.83
	Mitsubishi Brand	03-07 R/L 12601824	m	.#8	■76.27
		08-09 R/L 12579355	m	.#8	■37.83
<i>#R&R Both Sides 1.2</i>					
4 Module, Powertrain Control		03 12582605	m	1.0	714.78
		04 12586242	m	1.0	520.00
		05-07 12602802	m	1.0	541.86
Module, Eng Control		08-09 12612384	m	1.0	315.47
5 Bracket, Module		03-07 15047570			22.43
		08-09 15850348			5.55
6 Cover, Module		03-07 15071609			10.44

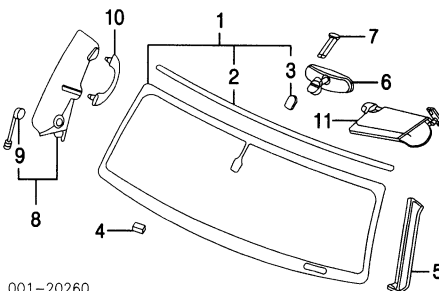
STARTER

Starter	03-05 89017630	m	1.0	R426.80
	06-08 89017844	m	1.0	R456.57
	09 N.A.	m	1.0	0.00
Shield, Starter	12588400			30.58

WINDSHIELD

Use Procedure Explanation 13 with the following text.

R&I Windshield.....#2.4
#Includes Clean Up Old Adhesive as Necessary



001-20260

1 Glass Assy, Windshield	Hummer	03-04 15102299	#2.0	863.21
		05-09 25913255	#2.0	351.62
	NAGS	DW01486GTY	#2.0	213.55
<i>#Includes Clean Up Old Adhesive as Necessary</i>				
2 Moulding, Upper Reveal		15857806		42.63
3 Support, Mirror		15954649		8.98
<i>#Included w/Windshield Glass Assy</i>				
Adhesive, Windshield		N.A.		0.00
4 Support, Windshield	R/L	15061964		3.54
5 Moulding, Side Reveal	R	25869092		.3 52.19
	L	25869091		.3 51.42
6 Mirror, Rear View		15269044		.2 333.61
	2003-05			
	2006-07			
	w/Rear View Camera	20824386		.2 563.97
	w/o Rear View Camera	15269044		.2 333.61
	2008			
	w/Rear View Camera	N.A.		.2 0.00
	w/o Rear View Camera	15269044		.2 333.61
	2009	15271286		.2 216.00
		15195146		5.67
7 Cover, Mirror	03-04 R	19121398		.3 46.64
	L	19121399		.3 56.27
	R	10369091		.3 55.26
	L	10369089		.3 53.50
	08-09 R	25897899		.3 169.58
	L	25897897		.3 169.58
	03-07 R/L	10369087		.4 59.08
	08-09 R/L	15916357		.4 54.96
<i>(a) Included w/Inside Garnish Moulding Assy</i>				
10 Handle, Assist	03-04 R/L	15170388	#1	27.67

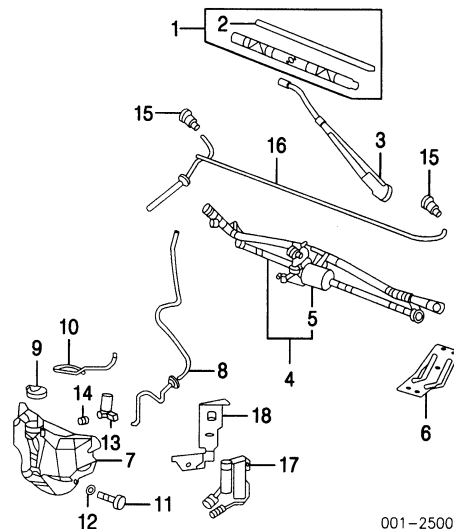
05-07 R/L	15115155	#1	24.77
08-09 R	15797110	#1	22.38
	L 15797112	#1	22.38

#Included in R&R Inside Garnish Moulding Assy

11 Visor, Sun (b)	R 15938026	.2	264.64
	L 15938027	.2	264.65

(b) Order by Application

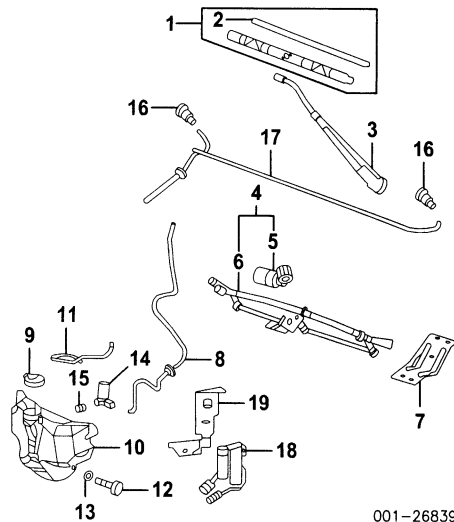
WIPER SYSTEM 2003-07



001-25003

1 Blade Assy, Wiper	R/L 15060730		.1	■10.83
2 Insert, Wiper	R/L 88944326		.1	■7.50
<i>#Included w/Wiper Blade Assy</i>				
3 Arm, Wiper	R 19120891		.#2	32.35
	L 19120890		.#2	33.96
<i>#Includes R&I/R&R Wiper Blade</i>				
4 Module Assy, Wiper	15910773		.#8	264.48
5 Motor, Wiper (a)	19120867		.#8	417.71
<i>(a) Included w/Wiper Module Assy</i>				
<i>#R&R Complete</i>				
6 Support, Module-See Cowl & Dash Section			.#3	81.86
7 Tank, Washer	88944338			
<i>#w/Air Cleaner Assy Removed</i>				
8 Hose, Washer Tank	88944334			44.75
9 Cap, Tank	25731418			9.16
10 Hose, Washer Pump	88944335			36.41
11 Switch, Fluid Level	88944331			59.87
12 Seal, Level Switch	88944332			19.25
13 Pump, Washer	88944337			94.49
14 Seal, Washer Pump	88944336			1.45
15 Nozzle, W/S Washer-See Cowl & Dash Section				
16 Hose, Washer Nozzle-See Cowl & Dash Section				
17 Heater, Washer Fluid	06-07 15949649		.#3	224.73
18 Bracket, Washer Heater	06-07 15294598		.#3	44.79
<i>#R&R Complete</i>				

WIPER SYSTEM 2008-09



001-26839

1 Blade Assy, Wiper	R/L 15060730		.1	■10.83
2 Insert, Wiper	R/L 88944326		.1	■7.50
<i>#Included w/Wiper Blade Assy</i>				
3 Arm, Wiper	R 19120891		.#2	32.35

HUMMER H2/H2 SUT 2003-09

WINDSHIELD Cont'd

WIPER SYSTEM

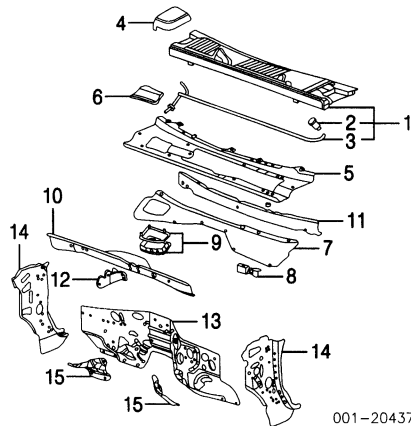
2008-09 Cont'd

L 19120890	#.2	33.96
<i>#Includes R&I/R&R Wiper Blade</i>		
4 Module Assy, Wiper	.8	229.23
5 Motor, Wiper (a)	#.8	87.24
6 Transmission, Wiper (a)	#.8	110.49
<i>(a) Included w/Wiper Module Assy</i>		
<i>#R&R Complete</i>		
7 Support, Module		6.29
8 Hose, Washer Tank		44.75
9 Cap, Tank		9.16
10 Tank, Reservoir	#.3	81.86
<i>#w/Air Cleaner Assy Removed</i>		
11 Hose, Washer Pump		36.41
12 Switch, Fluid Level		59.87
13 Seal, Level Switch		19.25
14 Pump, Washer		94.49
15 Seal, Washer Pump		1.45
16 Nozzle, W/S Washer-See Cowl & Dash Section		
17 Hose, Washer Nozzle-See Cowl & Dash Section		
18 Heater, Washer Fluid		
2006-07	.3	224.73
2008		
1st Design	.3	207.80
2nd Design	.3	209.87
3rd Design	.3	209.87
2009	.3	204.59
19 Bracket, Washer Heater	06-07	44.79
	08-09 N.A.	0.00

COWL & DASH

Use Procedure Explanations 14 and 28 with the following text.

Refinish Center Cowl Grille Assy	1.8
Refinish Cowl Grille Cover	R/L .5
Refinish Plenum Panel	1.5
R&I Cowl Grille Cover	R/L .1



1 Grille Assy, Center Cowl (P)		
2003-07	25921207	#.4 376.96
2008		
1st Design	25921207	#.4 376.96
2nd Design	25921207	#.4 376.96
2009	25921207	#.4 376.96
<i>(P) Paint to Match</i>		
2 Nozzle, W/S Washer	R/L 15173510	#.4 25.54
3 Hose, Washer Nozzle	15179645	#.4 26.15
<i>#Included w/Center Cowl Grille Assy</i>		
<i>#R&R Complete</i>		
4 Cover, Cowl Grille (P)	R 15135986	#.1 196.73
	L 15135993	#.1 193.88
<i>(P) Paint to Match</i>		
<i>#Included in R&R Cowl Grille Assy</i>		
5 Panel, Upper Plenum	03-07 88979786	#4.5 496.33
	08-09 19151127	#4.5 532.33
<i>#w/Windshield & Necessary Bolted Parts & Assemblies Removed</i>		
6 Cover, Side Plenum	15070067	23.44
7 Panel, Lower Plenum	88979787	#2.5 165.72
<i>#w/Upper Plenum Panel Removed</i>		
8 Bracket, Plenum Support	15079095	4.49
9 Deflector, Plenum		
2003-06	25809428	41.45
2007		
1st Design	25809428	41.45
2nd Design	25809428	41.45
2008-09	25809428	41.45
2009	88979810	215.22
10 Panel, Front Plenum	15060931	81.97
11 Panel, Plenum Rear	15073838	6.29
12 Support, Module		
13 Panel, Dash		
2003-07	89025527	14.5 802.46
2008		
1st Design	25853978	14.5 d117.78
2nd Design	25890510	14.5 d117.78
2009	N.A.	0.00
14 Panel, Cowl Side	R 88979790	2.5 181.91

15 Shield, Heat	L 25932602	2.5	46.42
	R 25853243	.3	15.38
	L 25853242	.3	14.51

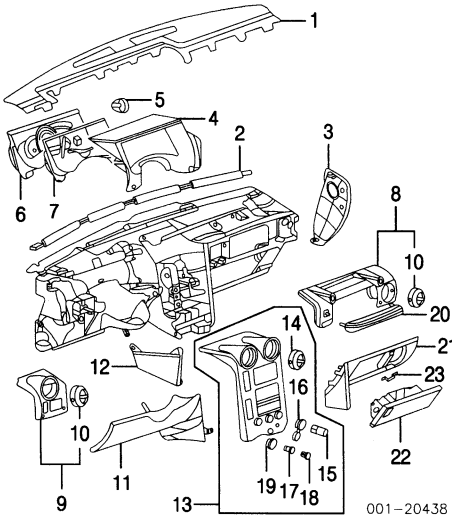
INSTRUMENT PANEL

Use Procedure Explanation 14 with the following text.

2003-07

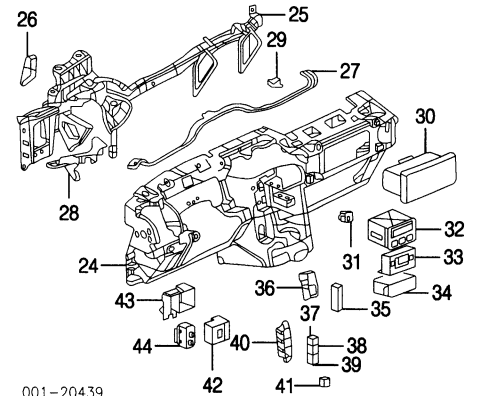
R&I Instrument Panel m #5.7
#Includes R&I Steering Column & Front Seats

NOTE: All Parts in this section are included in R&R Instrument Panel unless noted otherwise.



1 Panel, Up Inst Trim	15142915	1.6	322.14
2 Seal, Upper Trim	15058430		53.66
3 Panel, Side Inst Trim			
2003-04	R 15812335	.2	31.65
	L 15267828	.2	d21.26
2005-07			
Ebony	R 15812334	.2	30.66
	L 15812337	.2	d92.02
Wheat	R 15812335	.2	31.65
	L 15812338	.2	20.53
4 Bezel, Instrument	15199971	.2	135.00
5 Retainer, Bezel (4)	15042047		4.90
6 Cluster, Instrument	N.A.	m	#.6 0.00
<i>#Contact Dealer for Ordering Information</i>			
7 Lens, Cluster			
2003-05	12234732	m	#.6 98.79
2006-07-Serviced w/Instrument Cluster			
<i>#R&R Complete</i>			
<i>Bezel Assy, Air Outlet</i>			
8 Right			
2003-04	R 10358033	#.2	d153.57
2005	R 10358035	#.2	156.64
2006			
Carbon Grain	R 15294221	#.2	116.83
Ebony	R 10358035	#.2	156.64
2007			
Carbon Grain	R 15925208	#.2	156.22
Ebony	R 10358035	#.2	156.64
9 Left			
2003-04	L 10358031	#.2	127.24
2005	L 10358034	#.2	127.24
2006			
Carbon Grain	L 15294220	#.2	92.22
Ebony	L 10358034	#.2	127.24
2007			
Carbon Grain	L 15925207	#.2	156.22
Ebony	L 10358034	#.2	127.24
10 Deflector, Air Outlet (a)	R/L 15139391	#.2	27.72
<i>(a) Included w/Air Outlet Bezel Assy</i>			
<i>#R&R One Side Complete</i>			
11 Bolster, Knee			
Ebony	15116564	.2	176.49
Wheat	15191659	.2	177.26
12 Panel, Lower Ext	R 15068976		34.42
	L 15068975		35.36
13 Panel Assy, Center Instrument			
2003-04	10358024	.4	436.38
2005	25819206	.4	249.05
2006			
Carbon Grain	15294219	.4	278.10
Ebony	25819206	.4	249.05
2007			
Carbon Grain	15925206	.4	645.60
Ebony	25819206	.4	249.05
14 Deflector, Center Air (b)	03-04 R/L 15139391		27.72
	05-07 R/L 15116572		91.08
15 Receptacle, Power Outlet (b) (2)	25774623		10.01
16 Retainer, Receptacle (b) (2)	12450000		5.34
17 Housing, Lighter (b)	25776667		4.32
18 Element, Lighter (b)	11516140		11.83
19 Retainer, Housing (b)	25749635		5.22
<i>(b) Included w/Center Instrument Panel Assy</i>			
20 Handle, Assist			

2003-04		15237460	#.2	201.19
2005-07				
Ebony		15237459	#.2	279.62
Wheat		15237460	#.2	201.19
<i>#w/Glove Box Removed</i>				
Retainer, Handle (2)		15969709		11.38
21 Panel, Right Lower				
Ebony	05-07 R	10393572	.2	72.78
Wheat	R	10393573	.2	79.94
22 Box, Glove				
Ebony		10393584	#.3	284.58
Wheat	03-04	15083036	#.3	238.82
	05-07	10393583	#.3	297.67
<i>#w/Console Assy Removed</i>				
Lamp, Glove Box		12450028		11.27
23 Striker, Glove Box		15039637	.1	1.46



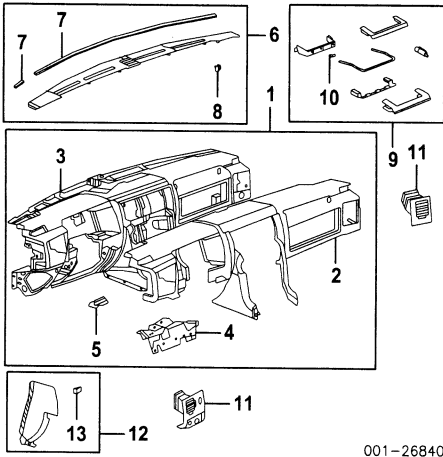
001-20439

24 Panel, Instrument	15263104	m	#6.7 650.00
<i>#Order by Application</i>			
<i>#Includes R&I Steering Column & Front Seats</i>			
25 Beam, Magnesium Support	15174119	m	#1.0 462.88
<i>#w/Instrument Panel Removed, Not Included in R&R Instrument Panel</i>			
26 Brace, Reinforcement	15188410	#	38.23
27 Bracket, Upper	15058427	#	25.16
28 Bracket, Lower	15075197	#	8.32
29 Sensor, Acceleration	15181002	#	161.07
<i>#Not Included in R&R Instrument Panel</i>			
<i>Module, Passenger Air Bag-See Air Bag System Section</i>			
31 Switch, Air Bag Deactivation-See Air Bag System Section			
32 Radio			
w/Navigation System	N.A.	.6	0.00
w/o Navigation System			
w/CD Changer			
2004-05	10357886	.6	922.97
2006-07 (a)	15927261	.6	712.34
w/o CD Changer	03-04 10356164	.6	876.00
	05-07 15849619	.6	595.92
<i>#Contact Dealer for Ordering Information</i>			
<i>(a) Order by Application</i>			
33 Control, A/C/Heater	03-06 15832311	m	.6 509.92
	07 15832311	m	.6 509.92
34 Module, Communication-See Electrical Section			
35 Switch, Transfer Case	15127829	m	.3 112.19
36 Housing, Switch	15192439	m	26.34
37 Switch, Traction Control	15172537	m	.3 53.65
38 Switch, Trans Selector	03 15062645	m	.3 875.73
	04-07 15829439	m	.3 74.81
39 Switch, Electronic Suspension	03 15062643	.2	51.10
	04-07 15829440	.2	45.55
40 Bezel, Switch	15192440		9.57
41 Cover, Switch Opening	15734687		5.26
42 Switch, Headlamp	15194803	m	.3 76.98
43 Bezel, Headlamp Switch	15192441		21.87
44 Switch, Rear Wiper	15143159	.2	73.60
Switch, Rear Window			
H2 SUT	15184796	m	# 28.53
Harness, Wiring	03 15184850	m	# 5046.78
	04 15106181	m	# 2456.35
	05 15231132	m	# 1208.16
	06-07 25788195	m	# 1116.02

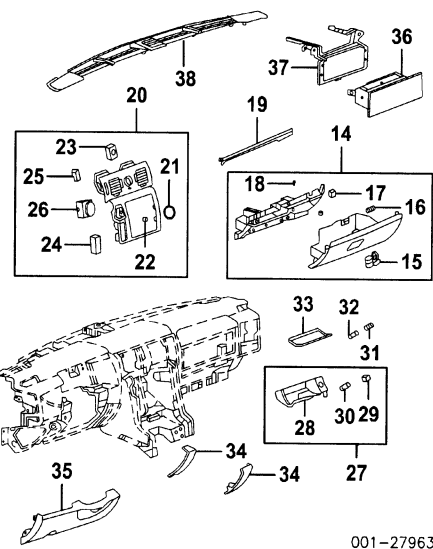
#Order by Application
#Not Included in R&R Instrument Panel

2008-09

R&I Instrument Panel		m	#4.8
<i>#Includes R&I Steering Column</i>			
NOTE: All Parts in this section are included in R&R Instrument Panel unless noted otherwise.			
<i>Illustration Located in Next Column</i>			
1 Panel Assy, Instrument	08 20823076	m	#7.2 799.39
	09 N.A.	m	#7.2 0.00
<i>#Includes R&I Steering Column</i>			
2 Cover, Inst Panel			
Brick	15796995	m	32.63
Ebony	15796994	m	32.63
3 Carrier, Instrument Panel	25885334	m	122.14

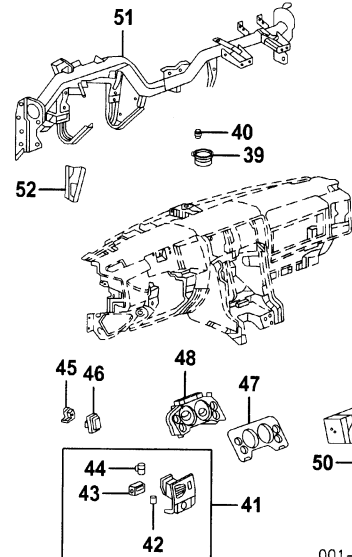


4 Reinf, Panel	25847129	179.30
5 Grille, Air Outlet	R 88954389 L 88954390	22.93 22.45
<i>Included w/Instrument Panel Assy</i>		
6 Panel Assy, Upper Trim (a)	25913318	.4 145.14
<i>(a) Contact Dealer for Information</i>		
7 Seal, Upper (b)	R 15890468 L 15890467	46.07 31.53
8 Clip, Trim Panel (b) (c)	11589329	3.88
<i>(b) Included w/Upper Trim Panel Assy (c) As Required</i>		
9 Handle Assy, Assist	08 15779964 09 25911904	.4 165.36 .4 173.55
10 Clip (d) (3)	11589329	3.88
<i>(d) Included w/Assist Handle Assy</i>		
11 Bezel, Outer Air (c)	R 25954816	.3 116.56
<i>Right Side</i>		
12 Panel Assy, Side Trim (c)	R 15779603 L 25907881	.2 67.81 .2 70.69
<i>(c) Order by Application</i>		
13 Clip, Trim (e) (2/Side)	R/L 11589329	3.88
<i>(e) Included w/Side Trim Panel Assy</i>		



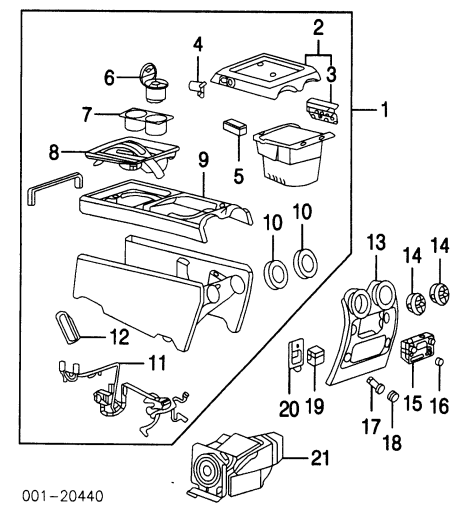
14 Box Assy, Glove		
<i>2008</i>		
Brick	25965510	.5 154.47
Ebony		
1st Design	25965507	.5 155.06
2nd Design	25965507	.5 155.06
2009	25965507	.5 155.06
15 Latch, Glove Box (f)		
<i>2008</i>		
Brick	13502999	.2 20.65
Ebony	13502637	.2 18.09
2009	N.A.	.2 0.00
16 Bumper, Door (f)	15854854	3.97
17 Dampener (f)	15854853	26.04
18 Striker, Glove Box (f)-Serviced w/Glove Box Assy		
<i>(f) Included w/Glove Box Assy</i>		
19 Cover, Access Hole	15854787	1.0 13.61
20 Bezel Assy, Center (a)	25841299	1.0 202.97
<i>(a) Contact Dealer for Information</i>		
21 Seal (g)	15915155	111.77
22 Clip (g) (10)	11589329	3.88
23 Clock (a) (g)	15294648	.3 142.34
24 Switch, Accessory (a) (g)	10386140	.3 45.53
<i>(a) Order by Application</i>		
25 Switch, Driver Info (g)	15947841	.3 28.04

26 Switch, Transfer Case (a) (g)	25878427	.3 39.54
<i>(a) Order by Application (g) Included w/Center Bezel Assy</i>		
27 Compartment Assy	25956684	.3 86.72
28 Compartment (h)	15913669	d78.34
29 Cover, Power Socket (h)	10364311	10.68
30 Socket, Accessory (h)	25774623	10.01
<i>(h) Included w/Compartment Assy</i>		
31 Element, Lighter	11516140	11.83
32 Receptacle, Lighter	25776667	4.32
33 Mat, Compartment	15779963	23.14
34 Filler, Lower		
Brick	R 15797046	34.89
Ebony (c)	L 15797043	46.37
	R 25913297	38.56
	L 15797042	46.37
<i>(c) Order by Application</i>		
35 Bolster, Driver Knee		
Brick	L 15887595	.3 43.70
Ebony	L 15856685	.3 52.05
36 Grille, Defroster	25913318	.4 145.14
37 Module, Passenger Air Bag-See Air Bag System Section		
38 Reinf, Module	25856233	228.84



39 Speaker, Radio	25798963	.3 38.98
40 Sensor, Auto Headlamp	25713063	.3 32.87
41 Bezel Assy, Air Outlet (c)		
Left Side	08 L 25861046 09 L 25954832	.3 d180.16 .3 d221.75
<i>(c) Order by Application</i>		
42 Switch, Window (i)	08 10386171 09 25802094	.2 17.62 .2 12.04
43 Switch, Dimmer (c) (i)	08 25858427 09 25878879	.3 81.28 .3 d48.98
<i>(c) Order by Application</i>		
44 Switch, Rear Wiper (i)	15293560	.2 47.09
45 Switch, Rear Window (i)	08 15907360 09 25957691	.2 17.69 .2 17.29
46 Bezel, Switch (i)	08 15780064 09 25957691	12.04 17.29
<i>(i) Included w/Air Outlet Bezel Assy</i>		
47 Bezel, Cluster	08 25872308 09 25872308	.3 167.43 .3 167.43
48 Cluster, Instrument (c)	N.A.	m .8 0.00
<i>(c) Contact Dealer for Ordering Information</i>		
49 Radio (a)	25941920	.7 500.75
50 Control, A/C/Heater (a)	25868012	m .6 395.42
<i>(a) Order by Application</i>		
51 Support, Carrier	08 25848862 09 N.A.	m #1.2 272.87 m #1.2 0.00
<i>#w/Instrument Panel Removed, Not Included in R&R Instrument Panel</i>		
52 Brace, Support	10355555	m # 6.54
Harness, Instrument Panel (a)	08 25963829 09 25996272	m # 671.65 m # 706.14
<i>(a) Order by Application #Not Included in R&R Instrument Panel</i>		

CENTER CONSOLE		
<i>Use Procedure Explanation 14 with the following text.</i>		
2003-07		
R&I Console Assy		#.4
<i>#w/Front Seat Assemblies Removed</i>		
NOTE: All Parts in this section are included in R&R Center Console Assy unless noted otherwise.		
2008-09		
R&I Console Assy		.4
<i>#w/Front Seat Assemblies Removed</i>		
NOTE: All Parts in this section are included in R&R Center Console Assy unless noted otherwise.		
<i>Illustration Located in Next Column</i>		
1 Armrest Assy	25906682	#.2 218.61
<i>#Ebony listed, Order by Application</i>		
2 Latch, Armrest (a) (b)	15134814	#.2 41.05
<i>(a) Order by Application</i>		
3 Hinge, Armrest (b)	15134813	#.2 60.67
<i>(b) Included w/Armrest Assy #R&R Complete</i>		
4 Bezel, Shifter	19178156	.3 106.21
Slide, Indicator		
5 Upper	19178158	15.18
6 Lower	19178159	15.18
7 Housing, Shift	19178157	26.08
8 Harness, Wiring	19178160	25.96
9 Bezel Assy, Console (a)	25910855	#.4 92.75
<i>(a) Order by Application #Includes R&R Bezel</i>		
10 Retainer, Cup Holder (c)	15902654	96.29
11 Holder, Cup (c)	15132964	13.50

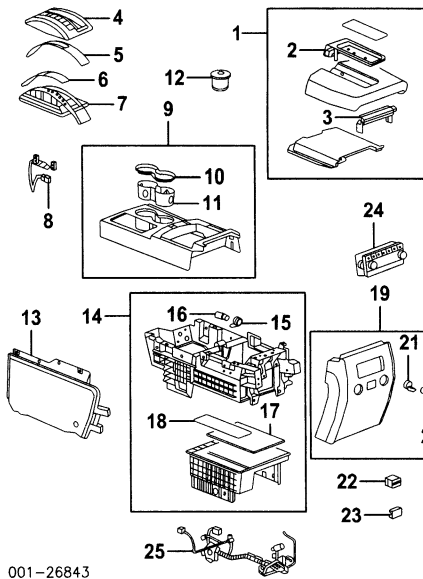


001-20440			
1 Console Assy			
Ebony			
w/Special Edition	19121726	#.6	d0.00
w/o Special Edition	89044119	#.6	673.86
Wheat	88986338	#.6	344.93
<i>#w/Front Seat Assemblies Removed</i>			
2 Door Assy			
Ebony	89042128	.2	393.21
Wheat	88986340	.2	229.32
3 Hinge, Door	88986339	.2	35.16
<i>(a) Included w/Door Assy</i>			
4 Button, Lid Release	03-05 88986341 06-07 19121725		83.33 11.32
5 Holder, Coin	03 10436137		41.37
6 Ashtray	22611384		41.21
7 Liner, Cup Holder	88986381		22.07
8 Bezel, Floor Shift	15137654	.2	247.08
9 Panel, Console Trim			
w/Special Edition Pkg	06 15294224 07 15925217	.3 07	171.69 398.80
w/o Special Edition Pkg	15116579	.3	148.61
10 Seal, Rear Air Duct	R/L 15079700		18.08
11 Harness, Wiring			
2003	15207136		191.79
2004			
1st Design	15207136		191.79
2nd Design	15230829		109.24
2005-07	15230829		109.24
12 Seal, Console	15079701		47.74
<i>#Included w/Console Assy</i>			
13 Panel, Rear Trim			
Carbon Grain	06 15294225 07 15925218	#.3 #.3	395.54 382.72
Ebony	05-07 89046410	#.3	267.46
Silver	88986337	#.3	185.12
14 Deflector, Air Outlet	R/L 15116581	#.3	91.76
15 Control, Radio	03-05 15850810 06-07 15850810	#.3 #.3	252.34 252.34
<i>#R&R Complete</i>			
16 Knob, Radio (2)	12205116		23.90
17 Receptacle, Power Outlet	25774623		10.01
18 Retainer, Receptacle	25749635		5.22
19 Switch, Seat Heater	15083095		41.47
20 Bracket, Switch	15182752		30.23
21 Speaker, Radio	15177436	#.3	178.61
<i>#w/Console Assy & Glove Box Removed</i>			

HUMMER H2/H2 SUT 2003-09

CENTER CONSOLE Cont'd

2008-09 Cont'd



001-26843

(c) Included w/Console Bezel Assy

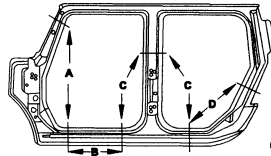
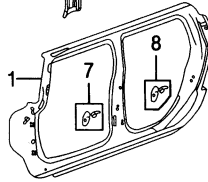
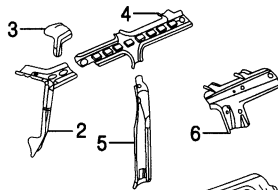
12 Ashtray	22611384		41.21
13 Panel, Side Console	R 25829733	#.6	d76.14
	L 25829731	#.6	d72.91
14 Console Assy, Center	25829729	#.6	d137.15
#R&R Complete			
15 Retainer, Power Outlet (d)	25774623		10.01
16 Receptacle, Power (d)	15092039		6.05
Liner, Storage Tray (d)			
17 Upper	15776832		30.28
18 Lower	15779385		40.56
(d) Included w/Center Console Assy			
19 Bezel Assy, Rear Console (a)	15274738		88.54
(a) Order by Application			
20 Receptacle, Power (e)	25774623		10.01
21 Cover, Power Socket (e)	10364311		10.68
(e) Included w/Rear Console Bezel Assy			
22 Adapter, Audio/Video	15115235		39.61
23 Cover, Accessory Plug	25891958		69.02
24 Control Unit, Radio/Temperature			
w/Rear A/C	15886277	m	.4 268.34
w/o Rear A/C	15886276	m	.4 287.90
25 Harness, Console	25828437	m	84.59

ROCKER/PILLARS/FLOOR

Use Procedure Explanations 14, 15 and 28 with the following text.

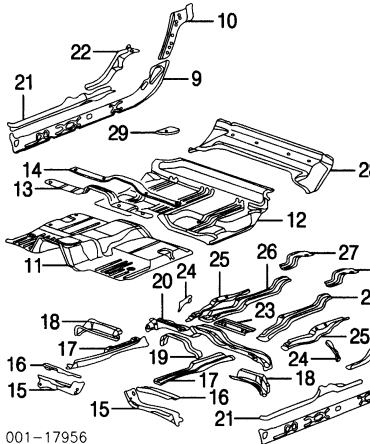
SHEET METAL

Refinish Door Opening Frame.....	R/L	5.5	
Add for Inside.....	R/L	.8	
Refinish Hinge Pillar.....	R/L	1.0	
Refinish Front Rocker Panel.....	R/L	1.6	
Refinish Center Pillar.....	R/L	1.2	
Refinish Rear Pillar.....	R/L	.5	
Refinish Roof Rail.....	R/L	1.6	
Section Hinge Pillar (A).....	R/L	#9.3	
#Time is to Section in Windshield & Front Door Openings, See Illustration for Approximate Cut Lines			
Section Front Rocker Panel (B).....	R/L	#6.9	
#Time is to Section in Door Opening, See Illustration for Approximate Cut Lines			
Section Center Pillar (C).....	R/L	#11.0	
#Time is to Section below Roof Line & in Door Openings			
Section Rear Pillar (D).....	R/L	#7.0	
#w/Quarter Panel Removed, See Illustration for Approximate Cut Lines			
Add to R&R			
w/Side Curtain Air Bag			
Front.....	R/Lm	#.8	
#w/Headliner Removed			
NOTE: Refer to General Motors Collision Repair Service Procedures for sectioning information.			
Illustration Located in Next Column			
1 Frame, Door Opening	R 88980677	21.5	1461.88
	L 88980676	21.5	1506.98
Striker, Front Door-See Front Door Section			
Striker, Rear Door-See Rear Door Section			



001-17955

2 Reinf, Door Opng Frame	03-07 R 15131198	1.5	118.36
	L 15131199	1.5	107.11
	08-09 R 15148308	1.5	109.00
	L 15148307	1.5	104.56
3 Reinf, Upper Frame	R/L 15190480-79	1.5	32.81
4 Panel, Upr Ctr Inr Pillar	03-07 R 15771264	1.5	140.40
	L 15771263	1.5	139.89
	08-09 R 89025416	1.5	185.83
	L 10358379	1.5	146.00
5 Panel, Lwr Ctr Inr Pillar	03-07 R 19180830	2.0	140.37
	L 19180829	2.0	139.10
	08-09 R/L 89025414-3	2.0	175.52
6 Reinf, Upper Rear			
H2	03-05 R/L 19167205-4	1.5	245.22
H2 SUV	06-07 R/L 19167205-4	1.5	245.22
	08-09 R/L 19167205-4	1.5	245.22
7 Reinf, Front Striker	R/L 25740217	.4	4.43
8 Reinf, Rear Striker	R/L 25740217	.4	4.43



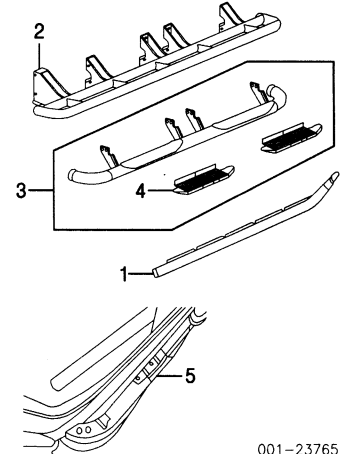
001-17956

9 Panel, Frt Inr Rocker	R/L 15771199-200	4.0	152.66
10 Panel, Rear Inr Rocker	R/L 15187439-8	2.5	45.16
11 Panel, Front Floor			
2003-07	15771193	11.0	286.70
2008			
1st Design	15771193	11.0	286.70
2nd Design	25910525	11.0	149.53
2009	25910525	11.0	149.53
(Order by Application)			
12 Panel, Center Floor	15950124	12.0	479.57
13 Reinf, Front Floor	03-05 15040481	2.5	59.37
14 Reinf, Rear Floor	03-05 15189815	2.5	62.51
15 Sill, No. 1 Cross	R/L 88944230-1	1.5	265.13
16 Panel, Floor Filler	R 15062445	.7	30.21
	L 15062444	.7	28.97
17 Reinf, Inr Seat	R 15234735	1.0	102.56
	L 15822915	1.0	153.52
(Order by Application)			
18 Reinf, Outer Seat	R 15234733	1.0	41.19
	L 15828261	1.0	34.03
19 Stiffener, Floor Panel	R/L 15173441-0	.8	4.96
20 Sill, No. 2 Cross	03-07 25860798	3.0	236.59
21 Extension, Floor Panel	R/L 15773325-6	.5	205.44
22 Extension, Rear Floor	R 15773327	.5	68.77
	L 15773328	.5	65.97
23 Reinf, Center	15234713	.8	23.19
24 Brace, Inter Floor	R/L 15029772	.4	33.39
25 Reinf, Inter Otr Floor	03-07 R 25860799	2.5	46.73
	L 15234710	2.5	46.73
	08-09 R 25860799	2.5	46.73

26 Reinf, Inter Inr Floor	L 15234710	2.5	46.73
	R 15234712	2.5	77.12
	L 15722519	2.5	75.77
27 Reinf, Inter Ctr Floor	R/L 15771189	1.5	75.34
28 Sill, No. 3 Cross	88944227	4.5	369.44
29 Panel, Floor Finish	R 15074797	.4	53.85
	L 15074796	.4	53.37

EXTERIOR TRIM

Refinish Rocker Panel Moulding.....	R/L	1.6	
Refinish Side Step.....	R/L	.9	
R&L Rocker Panel Moulding.....	R/L	#.6	
#Includes R&L/R&R Lower Wheel Opening Flare & Rear Wheel Opening Flare			
R&L Rocker Panel Guard.....	R/L	.3	
R&L Side Step Assy.....	R/L	.3	
R&L Running Board.....	R/L	.3	
R&R Side Step Assy.....	R/L	.3	
R&R Running Board.....	R/L	.3	
Add to R&L/R&R Rocker Panel Guard			
w/Side Step Assy.....	R/L	#.3	
#Includes R&L/R&R Side Step Assy			



001-23765

1 Moulding, Rocker Panel

2003-07			
Ebony	R 15190504	#.6	141.07
	L 15190503	#.6	144.90
Blue	06 R 19120874	#.6	557.88
	L 19120873	#.6	464.12
Paint to Match	06-07 R 19120874	#.6	557.88
	L 19120873	#.6	464.12

2008

w/Special Edition Pkg			
Blue	R/L 25858820-19	#.6	202.17
Silver	R/L 19206760-1	#.6	371.24
w/o Special Edition Pkg			
Ebony	R 15190504	#.6	141.07
	L 15190503	#.6	144.90
Paint to Match	R/L N.A.	#.6	0.00
2009			
Ebony	R 15190504	#.6	141.07
	L 15190503	#.6	144.90
Paint to Match	R/L 19206760-1	#.6	371.24

#Includes R&L/R&R Lower Wheel Opening Flare & Rear Wheel Opening Flare			
2 Guard, Rocker Panel	R 15172445	#.3	725.55
	L 15172444	#.3	704.66

3 Step Assy, Side

Dealer Installed			
Chrome	04-07 19155716	.3	595.00
Textured	03-07 17803467	.3	445.00
Painted Steel	05-07 12498087	.3	422.00

4 Pad, Step (2/Side)

Dealer Installed			
2003			
1st Design	R/L 12477568	.2	93.76
2nd Design	R/L 88937278	.2	195.19
2004-07	R/L 88937278	.2	195.19

#Included w/Side Step Assy

5 Board Kit, Tubular Running (a)			
Dealer Installed			
Black	89006870	#	d275.00
Painted Steel	03-07 12498087	#	422.00
Textured	04-09 17803467	#	445.00

(a) Order by Application

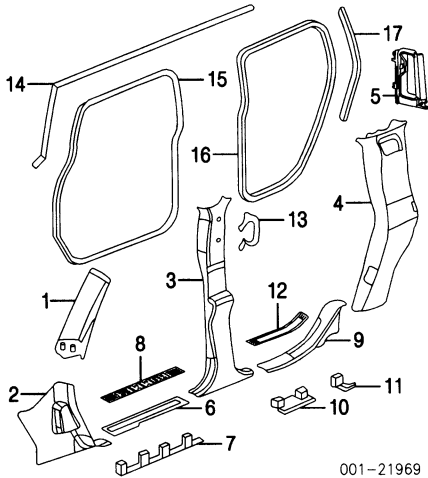
Step Kit, Side			
Dealer Installed			
	19155716	#	595.00
#See Headnotes for Labor Time			
Pad, Step (2/Side)			
Dealer Installed			
	89006870		d275.00

INTERIOR TRIM

2003-07

Illustration Located in Next Column

HUMMER H2/H2 SUT 2003-09



1 Moulding Assy, Inside Garnish-See Windshield Section				
2 Panel, Hinge Pillar Trim 03-04 R	10358833	.2	d21.54	
	L 19121400	.2	21.44	
	05 R 10392646	.2	21.35	
	L 15241325	.2	23.95	
	06-07 R 10392646	.2	21.35	
	L 15241327	.2	20.86	
3 Panel, Center Pillar Trim 03-04 R	89026046	.3	d70.82	
	L 89026047	.3	73.98	
	05 R 15233380	.3	61.32	
	L 15233378	.3	69.21	
	06-07 R 15233384	.3	68.32	
	L 15233382	.3	68.57	

#Includes R&R Assist Handle

4 Panel, Lock Pillar Trim				
H2				
	03-04 R 10358707	.3	37.00	
	L 10358704	.3	62.34	
	05 R 10358708	.3	45.61	
	L 10358705	.3	45.61	
H2 SUT				
	05 R 15211986	.3	57.70	
	L 10358753	.3	132.05	
	06-07 R 15211986	.3	57.70	
	L 15211984	.3	56.44	
H2 SUV				
	06-07 R 10391792	.3	57.63	
	L 10391790	.3	59.48	

5 Panel, Trim Upper				
H2 SUT				
	05-07 R 10392656	.2	14.11	
	L 10392654	.2	20.52	
6 Plate, Front Scuff				
	03-04 R 10358864	.#2	d25.39	
	L 10358861	.#2	d26.53	
	05-07 R 10392642	.#2	26.30	
	L 10392640	.#2	23.51	
7 Bracket, Front Scuff Plate	R/L 15184869		22.26	

8 Moulding, Scuff Plate				
2003-04	R 10358764	.#2	18.51	
	L 10358762	.#2	19.29	
2005-07				
Ebony	R 15137566	.#2	102.32	
	L 15137565	.#2	106.32	
Wheat	R 10358764	.#2	18.51	
	L 10358762	.#2	19.29	

#R&R One Side Complete

9 Plate, Rear Scuff				
	03-04 R 10358858	.#2	27.79	
	L 10358855	.#2	31.91	
	05-07 R 10392638	.#2	27.05	
	L 10392636	.#2	26.03	

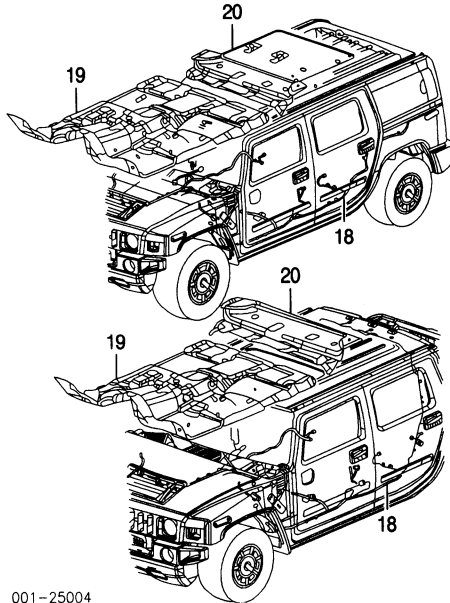
Bracket, Rear Scuff Plate				
10 Front	R/L 15076277		24.30	
10 Rear	R/L 15076278		24.30	
12 Moulding, Scuff Plate				
Ebony	R/L 15137568-7	.#2	102.32	
Wheat	R 10358768	.#2	34.10	
	L 10358766	.#2	34.10	

#R&R One Side Complete

13 Handle, Assist				
	03-04 R 21998341	.1	30.54	
	L 21998340	.1	28.39	
	05-07 R/L 21998342-3	.1	23.28	
14 W/Strip, Upper Aux (On Body)				
	R 25868658	.2	110.65	
	L 25868657	.2	114.58	
W/Strip, Door Opening (On Body)				
15 Front	R/L 25910529	.3	85.23	
15 Rear	R/L 15131021	.3	70.14	
17 W/Strip, Rear Aux (On Body)				
	R 25868571	.2	58.44	
	L 25868570	.2	57.88	

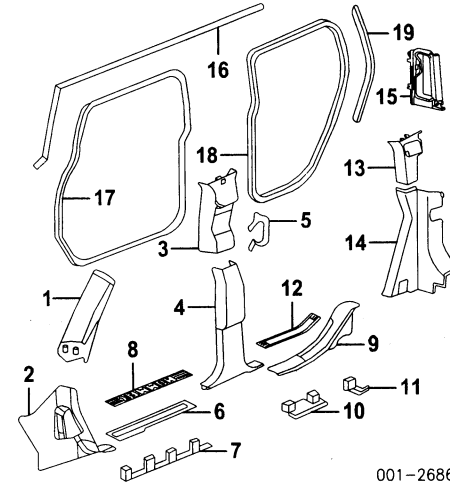
Illustration Located in Next Column

18 Harness, Main Body				
H2				
	2003 15201940	m	1243.57	
	2004			
	1st Design			
	w/Rear A/C	m	d1176.56	
	w/o Rear A/C	m	661.02	
	2nd Design	m	744.69	
	2005	m	571.20	
	15869960			
H2 SUT				
	05-07 15246468	m	562.23	



001-25004				
H2 SUV	06-07 15869960	m	571.20	
19 Carpet, Floor				
Front	15188412		539.32	
20 Rear				
H2	03-05 15255558		524.45	
H2 SUT	05-07 15098881		109.72	
H2 SUV	06-07 15255558		524.45	

INTERIOR TRIM 2008-09



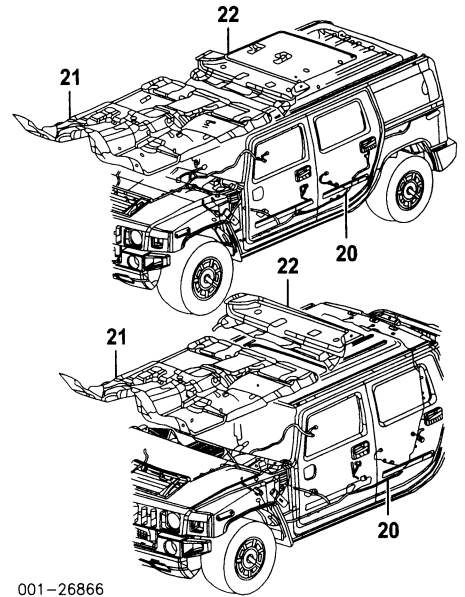
001-26865				
1 Moulding Assy, Inside Garnish-See Windshield Section				
2 Panel, Hinge Pillar Trim	R 10392646	.2	21.35	
	L 15241327	.2	20.86	
Panel, Center Pillar Trim				
3 Upper	R 25858004	.#3	237.70	
	L 25858002	.#3	237.70	
4 Lower	R 25866640	.#3	141.00	
	L 25799767	.#3	90.40	
#R&R One Side Complete, Includes R&R Assist Handle				
5 Handle Assy, Assist Bolt, Mounting (4/Side)	R/L 25858022	.1	14.30	
	R/L 11569613		3.51	
#Included w/Assist Handle Assy				
6 Plate, Front Scuff	R 10392642	.#2	26.30	
	L 10392640	.#2	23.51	
7 Bracket, Front Scuff Plate	R/L 15184869		22.26	
8 Moulding, Scuff Plate (a)	R 15137566	.#2	102.32	
	L 15137565	.#2	106.32	

(a) Order by Application

#R&R One Side Complete

9 Plate, Rear Scuff				
	R 10392638	.#2	27.05	
	L 10392636	.#2	26.03	
Bracket, Rear Scuff Plate				
10 Front	R/L 15076277		24.30	
11 Rear	R/L 15076278		24.30	
12 Moulding, Scuff Plate (a)	R/L 15137568-7	.#2	102.32	
#R&R One Side Complete				
13 Panel, Upper Trim (a)				
H2 SUT	R 25867332	.2	51.95	
	L 25867330	.2	51.95	
14 Panel, Lower Trim (a)				
H2 SUT	R 15778099	.3	93.53	

15 Panel, Trim Upper (a)				
	L 15778097	.3	97.50	
	R 10392656	.2	14.11	
	L 10392654	.2	20.52	
(a) Order by Application				
16 W/Strip, Upper Aux (On Body)				
	R 25868658	.2	110.65	
	L 25868657	.2	114.58	
W/Strip, Door Opening (On Body)				
17 Front	R/L 25910529	.3	85.23	
18 Rear	R 25910531	.3	63.19	
	L 25910530	.3	61.65	
19 W/Strip, Rear Aux (On Body)				
	R 25868571	.2	58.44	
	L 25868570	.2	57.88	



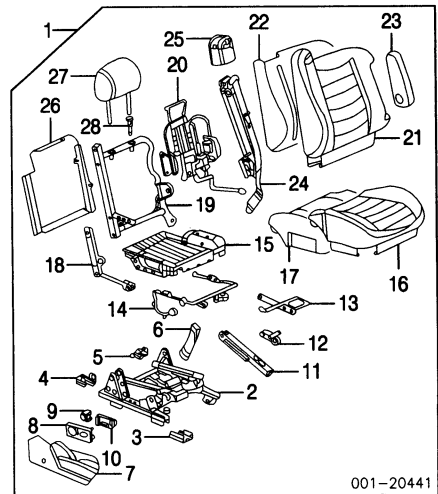
001-26866				
20 Harness, Main Body				
H2 SUT	08 25888255	m	597.30	
	09 25942431	m	522.69	
H2 SUV	08 25888258	m	525.09	
	09 25942434	m	462.47	
Carpet, Floor				
21 Front	15188412		539.32	
22 Rear				
H2 SUT	15098881		109.72	
H2 SUV	08 25847991		252.63	
	09 25847993		257.58	

FRONT SEAT

Use Procedure Explanation 30 with the following text.

PASSENGER SIDE

R&I Seat Assy.....	R	.3	
--------------------	---	----	--

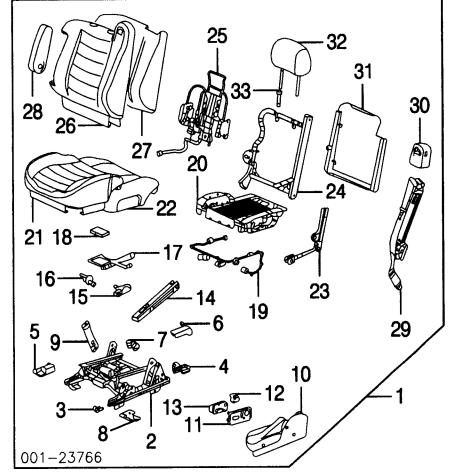


001-20441				
1 Seat Assy, Front				
Cloth	03 89046559	.3	d1829.27	
	04 89041196	.3	d1784.65	
	05-09 N.A.	.3	0.00	
Leather	03-04 89041200	.3	d2110.70	
	05 89041202	.3	d2069.31	
	06-09 89041184	.3	d1829.27	
#Order by Application				
2 Adjuster, Front Seat (a)	88941226	#1.1	660.34	
#w/Seat Assy Removed				

HUMMER H2/H2 SUT 2003-09

FRONT SEAT Cont'd			
PASSENGER SIDE Cont'd			
3	Cover, Front Adjuster Outer (a)	12473318	9.80
4	Cover, Rear Adjuster Outer (a)	88935562	4.37
5	Cover, Inner (a)	12478524	d4.26
6	Buckle, Seat Belt (a)	03-04 88957881	71.75
		05-09 89023187	71.75
7	Cover, Side (a)	88941540	31.58
8	Bezel, Adjuster Switch (a)	03-04 88943884	11.56
		05-09 88942390	51.09
9	Switch, Lumbar Control (a)	12473558	75.49
10	Switch, Adjuster (a)	12450254	97.57
11	Bracket, Adjuster Outer (a)	88941831	23.39
12	Motor, Recliner (a)	88940269	91.28
13	Bracket, Motor (a)	88940268	48.82
14	Harness, Seat Wiring (a)	03-05 88942796	120.17
		06-09 19126822	88.89
15	Frame, Seat Cushion (a)	03-04 88940277	#.6 38.09
		05-09 88976585	#.6 63.89
16	Cover, Seat Cushion (a)		
	Ebony	05-09 89040749	#.6 409.45
	Wheat		
	Cloth	88940374	#.6 d146.61
	Leather	88940378	#.6 568.96
17	Pad, Seat Cushion (a)	88940350	#.6 63.20
	#R&R Complete, w/Seat Assy Removed		
18	Recliner, Seat (a)	88940877	182.96
19	Frame, Seat Back (a)		
	2003		
	1st Design	88940315	#.6 53.75
	2nd Design	88978378	#.6 118.07
	2004-07	88978378	#.6 118.07
20	Lumbar, Seat Back (a)		
	2003		
	1st Design	88940325	#.6 218.68
	2nd Design	88978361	#.6 257.01
	2004-09	88978361	#.6 257.01
21	Cover, Seat Back (a)		
	Ebony	05-09 19127875	#.6 518.00
	Wheat		
	Cloth	88940366	#.6 188.01
	Leather	88940370	#.6 729.16
22	Pad, Seat Back (a)	88940358	#.6 70.33
	#R&R Complete, w/Seat Assy Removed, Includes R&R Seat Back Panel		
23	Armrest, Seat (a)		
	Ebony	05-09 88942429	.3 151.00
	Wheat	88940788	.3 322.74
24	Retractor, Seat Belt (a)		
	Ebony	05-09 89023190	111.38
	Wheat	89024703	113.43
	Pretensioner, Seat Belt-Serviced w/Seat Belt Retractor		
25	Cover, Seat Belt Guide (a)	R/L 12473304-3	10.70
26	Panel, Seat Back (a)	88941750	#.6 24.94
	#w/Seat Assy Removed		
27	Headrest (a)		
	Ebony	05-09 88976763	#.2 221.05
	Wheat	88940654	#.2 223.44
	#Included in R&R Seat Back Cover		
28	Support, Headrest (a)		
	Ebony	05-09 R/L 19122625	3.90
	Wheat	R/L 88943844	4.44
	(a) Included w/Front Seat Assy		

DRIVER SIDE			
R&I Seat Assy.....L			.3

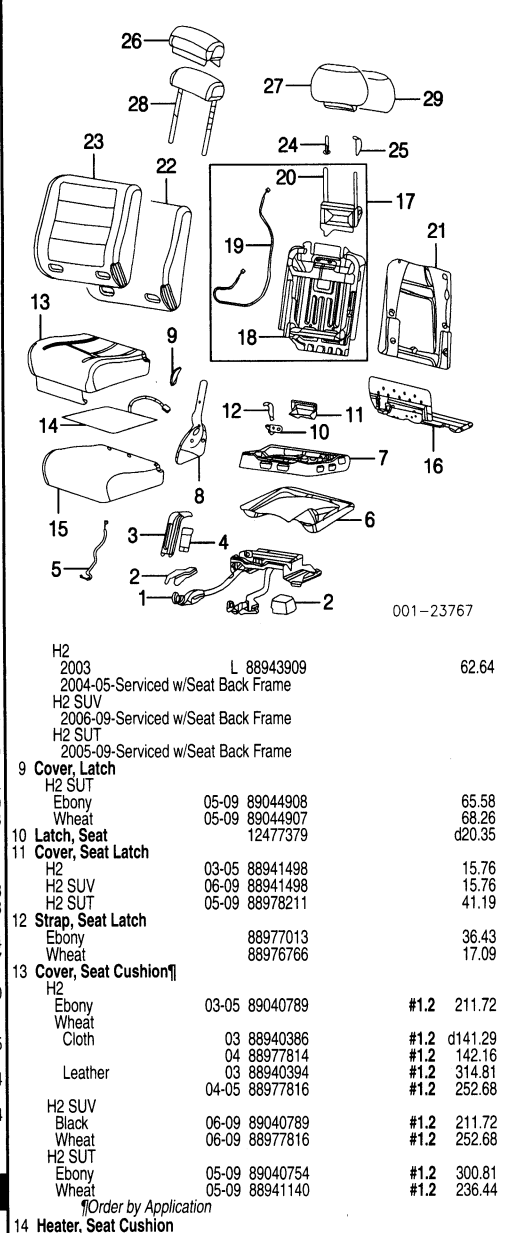


1	Seat Assy, Front¶		
	Cloth	03-04 88941825	.3 d1829.27
	Leather	05-09 N.A.	.3 0.00
		03-04 89041199	.3 d2059.22
		05 89041201	.3 d2110.70
		06-09 N.A.	.3 0.00
	¶Order by Application		
2	Adjuster, Front Seat (a)	88941225	#1.1 816.49
	#w/Seat Assy Removed		
	Cover, Adjuster Outer (a)		

3	Front	12473317	14.80
4	Rear	12473317	14.80
	Cover, Adjuster Inner (a)		
5	Front	15763293	7.05
6	Rear	15065767	11.65
7	Cover, Recliner Inner (a)	12478511	4.37
8	Bracket, Harness (a)	88940328	37.73
9	Buckle, Seat Belt (a)		
	Ebony	89023188	71.75
	Wheat	88957877	75.35
10	Cover, Side (a)	88941539	31.58
11	Bezel, Adjuster Switch (a)	03-04 88943883	23.28
		05-09 88942385	53.66
12	Switch, Lumbar Control (a)	12473558	75.49
13	Switch, Adjuster (a)	12450166	110.62
14	Bracket, Adjuster Outer (a)	88941830	23.39
15	Motor, Recliner (a)	89026367	113.66
16	Potentiometer (a)	88938614	211.46
17	Bracket, Motor (a)	12475950	4.49
18	Module, Seat Memory¶ (a)	15835069	521.94
19	Harness, Seat Wiring¶ (a)	03-05 88978721	131.60
		06-09 19126820	67.80
	¶Order by Application		
20	Frame, Seat Cushion (a)	03-04 88976586	#.6 40.00
		05-09 88976586	#.6 40.00
21	Cover, Seat Cushion (a)		
	Ebony	05-09 19127878	#.6 332.84
	Wheat		
	Cloth	88940372	#.6 d145.56
	Leather	19127877	#.6 334.46
22	Pad, Seat Cushion (a)	88940349	#.6 60.22
	#R&R Complete, w/Seat Assy Removed		
23	Recliner, Seat (a)	88940876	187.43
24	Frame, Seat Back (a)		
	2003		
	1st Design	88940292	#.6 66.42
	2nd Design	88978377	#.6 161.02
	2004-09	88978377	#.6 161.02
25	Lumbar, Seat Back (a)		
	2003		
	1st Design	88940295	#.6 251.41
	2nd Design	88978360	#.6 325.10
	2004-09	88978360	#.6 325.10
26	Cover, Seat Back (a)		
	Ebony	05-09 19127871	#.6 417.59
	Wheat		
	Cloth	88940364	#.6 182.84
	Leather	88940368	#.6 707.70
27	Pad, Seat Back (a)	88940357	#.6 60.28
	#R&R Complete, w/Seat Assy Removed, Includes R&R Seat Back Panel		
28	Armrest, Seat (a)		
	Ebony	05-09 88942427	.3 159.23
	Wheat	88940787	.3 347.18
29	Retractor, Seat Belt (a)		
	Ebony	05-09 89023189	102.04
	Wheat	88956030	102.27
	Pretensioner, Seat Belt-Serviced w/Seat Belt Retractor		
30	Cover, Seat Belt Guide (a)	R/L 12473304-3	10.70
31	Panel, Seat Back (a)		
	Cloth	88941749	#.6 7.81
	Leather	88942442	#.6 146.05
	#w/Seat Assy Removed		
32	Headrest¶ (a)	88940654	#.2 223.44
	#Included in R&R Seat Back Cover		
33	Support, Headrest¶ (a)	R/L 88943844	4.44
	¶Order by Application		
	(a) Included w/Front Seat Assy		

CENTER SEAT

RIGHT SIDE			
R&I Seat Assy.....L			.4
Illustration Located in Next Column			
1	Riser, Seat	03 88943932	#.2 256.50
		04-09 88941234	#.2 212.75
	#w/Seat Assy Removed		
2	Cover, Riser	03-06 R 15065769	15.86
		L 15065771	7.90
		07-09 R 15065770	15.86
		L 15065771	7.90
3	Bracket, Seat Cushion	R/L 12477386	19.42
4	Cover, Bracket		
	H2	03-05 R/L 88976614	31.01
	H2 SUV	06-09 R/L 88976614	31.01
	H2 SUT	05-09 R/L 88976615	4.35
5	Cable, Seat Back Lock	03 R/L 12479972	31.21
		04-09 R/L 88941330	33.91
6	Panel, Seat Cushion		
	H2, Seat	05-09 88938523	241.33
7	Frame, Seat Cushion		
	H2	03-04 12477374	#1.2 215.19
		05 88976873	#1.2 142.55
	H2 SUV	06-09 88976873	#1.2 142.55
	H2 SUT	05 88938512	#1.2 135.28
		06-09 88977080	#1.2 176.16
8	Latch, Seat Back		
	Right	03 R 88943908	84.53
	H2	04-05 R 88978728	167.35
	H2 SUV	06-09 R 88978728	167.35
	H2 SUT	05-09 R 88940893	126.37



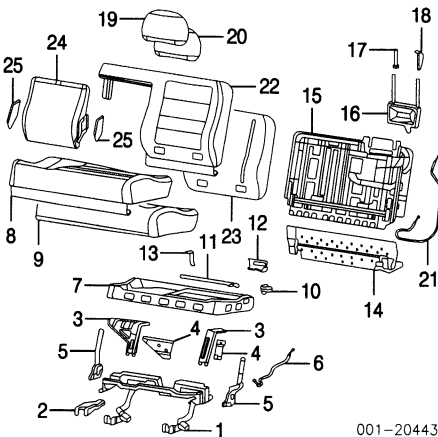
14	Heater, Seat Cushion		
	H2 SUT	05-09 88937979	#1.2 127.41
15	Pad, Seat Cushion		
	H2	03 88940354	#1.2 72.60
	H2 SUV	04-05 88977821	#1.2 57.44
	H2 SUT	06-09 88977821	#1.2 57.44
		05-09 88942802	#1.2 116.61
	#R&R Complete, w/Seat Assy Removed		
16	Filler, Seat Back		
	Ebony	88942443	155.00
	Wheat	88943930	85.95
17	Frame Assy, Seat Back		
	H2	03 88939510	#.9 182.83
		04-05 89046497	#.9 137.58
	H2 SUV	06-09 88977821	#.9 137.58
	H2 SUT	05-09 88942802	#.9 137.58
	#R&R Complete, w/Seat Assy Removed		
18	Frame, Seat Back (a)		
	H2		
		2003-05-Serviced w/Seat Back Frame Assy	
	H2 SUV	2006-09-Serviced w/Seat Back Frame Assy	
	H2 SUT	05-09 89041165	#.9 138.40
	#w/Seat Assy Removed		
19	Cable, Adjuster (a)		
	H2	03 12479768	17.19
		04-05 88978646	19.25
	H2 SUV	06-09 88978646	19.25
20	Guide, Headrest (a)		
	H2 SUV	05-09 88934527	d58.45
	(a) Included w/Seat Back Frame Assy		
21	Panel, Seat Back		
	H2 SUT	05-09 88941125	.3 283.33
22	Pad, Seat Back		
	H2	03 88940352	#.9 d65.21
		04-05 88977807	#.9 53.33
	H2 SUV	06-09 88977807	#.9 53.33
	H2 SUT	05-09 88941142	#.9 115.20
23	Cover, Seat Back¶		
	H2		
	001-23766		

HUMMER H2/H2 SUT 2003-09

Ebony	03-05 89040785	#.9	187.57
Wheat			
Cloth	03 88940382	#.9	d143.60
	04 88977810	#.9	143.25
Leather	03 88940390	#.9	290.89
	04-05 88977812	#.9	237.53
H2 SUV			
Black	06-09 89040785	#.9	187.57
Wheat	06-09 88977812	#.9	237.53
H2 SUT			
Ebony	05-09 89040752	#.9	250.09
Wheat	05-09 88941134	#.9	249.47
*Order by Application			
*R&R Complete, w/Seat Assy Removed, Included in R&R Seat Back Frame			
24 Support, Headrest (2)			
H2	03 88943844		4.44
	04-05 N.A.		0.00
	06-09 N.A.		0.00
H2 SUV			
H2 SUT			
Ebony	05-09 19122625		3.90
Wheat	05-09 88943844		4.44
25 Cover, Support (2)			
H2	03-05 89041116		43.72
H2 SUV	06-09 89041116		43.72
26 Cover, Headrest			
H2 SUT			
Ebony	05-09 89040756	#.4	72.16
Wheat	05-09 88941157	#.4	82.57
27 Cover, Headrest			
H2			
Ebony	03-05 88977016	#.4	92.53
Wheat	03 88978259	#.4	54.05
	04-05 88978259	#.4	54.05
H2 SUV			
Ebony	06-09 88977016	#.4	92.53
Wheat	06-09 88978259	#.4	54.05
28 Pad, Headrest			
H2 SUT			
H2 SUT	88938513	#.4	33.35
29 Pad, Headrest			
H2			
Ebony	03 88938075	#.4	142.96
Wheat	04-05 88940648	#.4	91.70
H2 SUV	06-09 88940648	#.4	91.70
*R&R Complete			

LEFT SIDE 2003

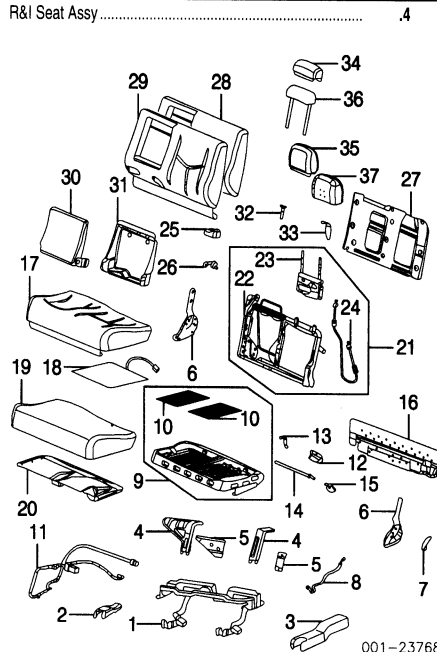
R&I Seat Assy..... 4



1 Riser, Seat	88943931	#.2	256.50
*w/Seat Assy Removed			
2 Cover, Riser	R/L 15065770-69		15.86
3 Bracket, Seat Cushion	R 12477386		31.35
	L 12477386		19.42
4 Cover, Bracket	R 88976615		4.35
	L 88976614		31.01
5 Latch, Seat Back	R 88943911		61.11
	L 88943910		96.14
6 Cable, Seat Back Lock	R 88938043		34.37
	L 12479972		31.21
7 Frame, Seat Cushion	12477349	#1.2	161.83
8 Cover, Seat Cushion*			
Cloth	88940384	#1.2	d168.39
Leather	88940392	#1.2	465.88
*Order by Application			
9 Pad, Seat Cushion	88940353	#1.2	d93.06
*R&R Complete, w/Seat Assy Removed			
10 Latch, Seat	88934753		36.88
11 Rod, Latch	88934752		34.42
12 Cover, Seat Latch	88941498		15.76
13 Strap, Seat Latch	88976766		17.09
14 Filler, Seat Back	88943929		137.94
15 Frame, Seat Back*	88939509	#.9	178.06
*Order by Application			
*w/Seat Assy Removed			
16 Guide, Headrest	88934526		d59.17
17 Support, Headrest (2)	88943844		4.44
18 Cover, Support (2)	89041116		43.72
19 Cover, Headrest	88978259	#.4	54.05
20 Pad, Headrest	88938075	#.4	142.96
*R&R Complete			
21 Cable, Adjuster	12479768		17.19

22 Cover, Seat Back*]			
Cloth	88940380	#.9	176.86
Leather	88940388	#.9	385.77
*Order by Application			
23 Pad, Seat Back	88940351	#.9	56.68
*R&R Complete, w/Seat Assy Removed, Included in R&R Seat Back Frame			
24 Armrest	88943925	.2	485.07
25 Cover, Armrest Finish	R 88943927		4.31
	L 88943926		4.45

LEFT SIDE 2004-09



R&I Seat Assy.....				4
1 Riser, Seat	88941240	#.2	212.16	
*w/Seat Assy Removed				
2 Cover, Riser	H2 SUT 05-09 15065771		7.90	
3 Cover, Riser	H2 04-05 15065770		15.86	
	H2 SUV 06-09 15065770		15.86	
4 Bracket, Seat Cushion	R 12477386		19.42	
	L 12477364		31.35	
5 Cover, Bracket	R 88976614		31.01	
	L 88976615		4.35	
6 Latch, Seat Back	H2 04-05 R 88978727		152.99	
	L 88978726		154.21	
H2 SUV 06-09 R 88978727			152.99	
	L 88978726		154.21	
H2 SUT 05-09 R 88940891			125.68	
	L 88940893		126.37	
7 Cover, Latch	H2 SUT 05-09 89044908		65.58	
Ebony				
Wheat	05-09 89044907		68.26	
8 Cable, Seat Back Lock	H2 04-05 88941330		33.91	
H2 SUV 06-09 88941330			33.91	
H2 SUT 05-09 88941497			25.68	
9 Frame Assy, Seat Cushion	H2 04-05 88976873	#1.2	142.55	
	H2 SUV 06-09 88976873	#1.2	142.55	
	H2 SUT 05-09 88977070	#1.2	430.88	
10 Support, Seat Cushion*]				
H2 04-05 R 88938518		#1.2	4.37	
	L 88938522	#1.2	4.58	
H2 SUV 06-09 R 88938518		#1.2	4.37	
	L 88938522	#1.2	4.58	
*Included w/Seat Cushion Frame Assy				
11 Wire, Control	H2 SUT 05-09 88938332		144.52	
12 Cover, Seat Latch	H2 04-05 R/L 88941498		15.76	
	H2 SUV 06-09 R/L 88941498		15.76	
	H2 SUT 05-09 R/L 88978210-09		41.19	
13 Strap, Seat Latch (2)	Ebony 88977013		36.43	
	Wheat 88976766		17.09	
14 Rod, Latch	88934752		34.42	
15 Latch, Seat	R/L 88934754-3		36.88	
16 Filler, Seat Back	N.A.		0.00	
17 Cover, Seat Cushion	H2 04-05 89040787	#1.2	267.36	
Ebony				
Wheat	04-05 88977803	#1.2	163.32	
Cloth	04-05 88977805	#1.2	419.75	
H2 SUV 06-09 89040787		#1.2	267.36	
Ebony				
Wheat	06-09 88977803	#1.2	163.32	
Cloth				

Leather	06-09 88977805	#1.2	419.75
H2 SUT			
Ebony	05-09 89040755	#1.2	459.65
Wheat	05-09 88941138	#1.2	313.32
18 Heater, Seat Cushion	H2 SUT 05-09 88937979	#1.2	127.41
19 Pad, Seat Cushion	H2 04-05 88977808	#1.2	91.28
	H2 SUV 06-09 88977808	#1.2	91.28
	H2 SUT 05-09 88942801	#1.2	129.18
20 Panel, Seat Cushion	H2 SUT 05-09 88941126	#1.2	273.47
*R&R Complete, w/Seat Assy Removed			
21 Frame Assy, Seat Back	H2 04-05 89046496	#.9	221.16
H2 SUV 06-09 89046496		#.9	221.16
H2 SUT			
2005-07-Serviced by Components			
22 Frame, Seat Back	H2, H2 SUV (a)-Serviced w/Seat Back Frame Assy	#.9	87.46
	H2 SUT 05-09 15924680		
23 Guide, Headrest (a)	H2, H2 SUV-Serviced w/Seat Back Frame Assy		
24 Cable, Recliner (a)	H2 04-05 88978646		19.25
	H2 SUV 06-09 88978646		19.25
(a) Included w/Seat Back Frame Assy			
25 Cover, Seat Belt Guide	Ebony 88977019		16.11
	Wheat 88978261		7.32
	88941767		d56.57
26 Guide, Seat Belt	H2 SUT 05-09 89041186	#.9	194.84
27 Panel, Seat Back	H2 04-05 88977806	#.9	74.05
	H2 SUV 06-09 88977806	#.9	74.05
	H2 SUT 05-09 88941141	#.9	117.14
28 Pad, Seat Back	H2 04-05 88977806	#.9	74.05
	H2 SUV 06-09 88977806	#.9	74.05
	H2 SUT 05-09 88941141	#.9	117.14
29 Cover, Seat Back	H2 04-05 N.A.	#.9	0.00
Ebony			
Wheat	04-05 88978862	#.9	172.12
Cloth	04-05 88978864	#.9	d374.73
Leather	04-05 88978864	#.9	d374.73
H2 SUV 06-09 N.A.		#.9	0.00
Ebony			
Wheat	06-09 88978862	#.9	172.12
Cloth	06-09 88978864	#.9	d374.73
Leather	06-09 88978864	#.9	d374.73
H2 SUT 05-09 89040753		#.9	350.91
	05-09 19127895	#.9	341.52
*R&R Complete, w/Seat Assy Removed			
30 Armrest	H2 SUT 88977017	#.2	245.45
Ebony			
Wheat	88978260	#.2	302.63
31 Panel, Armrest	H2, H2 SUV-Serviced w/Armrest		
H2 SUT			
Ebony	05-09 88976998	#.2	21.51
Wheat	05-09 89046610	#.2	19.72
32 Support, Headrest (2)	H2 04-05 N.A.		0.00
H2 SUV 06-09 N.A.			0.00
H2 SUT			
Ebony	05-09 19122625		3.90
Wheat	05-09 88943844		4.44
33 Cover, Support (2)	H2 04-05 89041116		43.72
H2 SUV 06-09 89041116			43.72
34 Cover, Headrest	H2 SUT 05-09 89040756	#.4	72.16
Ebony			
Wheat	05-09 88941157	#.4	82.57
35 Cover, Headrest	H2 04-05 88977016	#.4	92.53
	04-05 88978259	#.4	54.05
Ebony			
H2 SUV 06-09 88977016		#.4	92.53
Wheat	06-09 88978259	#.4	54.05
36 Pad, Headrest	H2 SUT 05-09 88938513	#.4	33.35
37 Pad, Headrest	H2 04-05 88940648	#.4	91.70
	H2 SUV 06-09 88940648	#.4	91.70
*R&R Complete			

REAR SEAT

Use Procedure Explanation 30 with the following text.

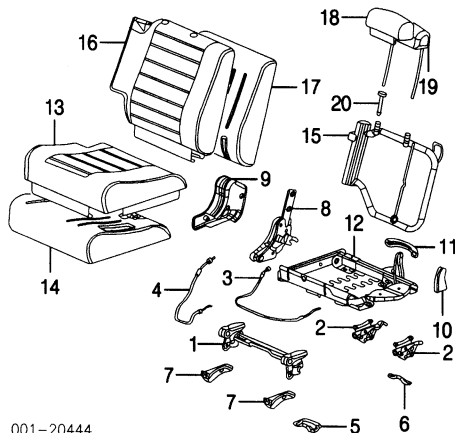
R&I Seat Assy..... R/L .3

Illustration Located in Next Column

Latch, Seat Cushion			
1 Front	R 19127808	#.2	201.28
	L 19127677	#.2	119.12
2 Rear	R 19127806	#.2	87.35
	L 19127807	#.2	108.95
*w/Seat Assy Removed			
3 Cable, Interlock	R/L 12478355		11.18
4 Cable, Latch Release Striker, Latch	R/L 12478354		10.79
5 Front	R/L 15038813		35.11
6 Rear	R/L 15013755		17.54
7 Cover, Latch (2/Side)	R/L 88943887		5.14

HUMMER H2/H2 SUT 2003-09

REAR SEAT Cont'd



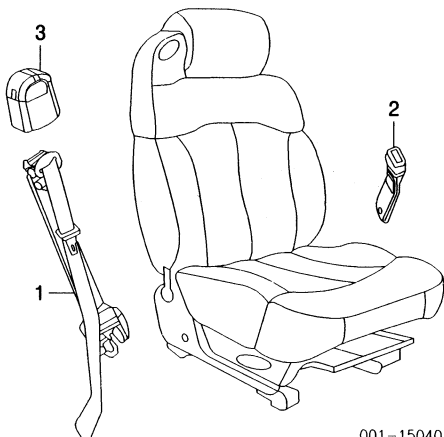
001-20444

8 Latch, Seat Back	R/L	88939134-3	205.49
9 Cover, Seat Back Latch			
Ebony	R	88977023	58.80
Wheat	L	19128176	58.80
Wheat	R	88943886	47.81
Wheat	L	N.A.	0.00
10 Cover, Seat Hinge			
Ebony		88976614	31.01
Wheat		88943885	4.88
11 Handle, Assist	R/L	15056578	d19.37
12 Frame, Seat Cushion	R	88977735	#.7 215.10
L	L	19127672	#.7 147.32
13 Cover, Seat Cushion			
Ebony	R	19127666	#.7 154.37
Brick	L	19127669	#.7 149.70
Brick	R	19127665	#.7 154.37
Brick	L	19127668	#.7 149.70
14 Pad, Seat Cushion	R	19127675	#.7 72.64
L	L	19127676	#.7 59.79
#R&R One Side Complete, w/Seat Assy Removed			
15 Frame, Seat Back	R	19127670	#.7 82.98
L	L	19127671	#.7 66.26
16 Cover, Seat Back			
Ebony	R	19127660	#.7 154.37
Brick	L	19127663	#.7 154.37
Brick	R	19127659	#.7 154.00
Brick	L	19127662	#.7 150.05
17 Pad, Seat Back	R	19127673	#.7 71.72
L	L	19127674	#.7 58.46
#R&R One Side Complete, w/Seat Assy Removed			
18 Headrest			
Ebony	R/L	19127991	#.4 55.47
Brick	R/L	19127992	#.4 55.47
19 Pad, Headrest-Serviced w/Headrest		88943844	# 4.44
20 Support, Headrest (2)			
#R&R One Side Complete			

SEAT BELTS

Use Procedure Explanation 30 with the following text.

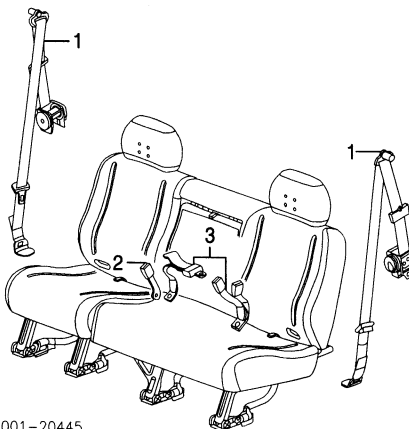
FRONT



001-15040

- 1 Retractor, Seat Belt-See Front Seat Section
- 2 Buckle, Seat Belt-See Front Seat Section
- 3 Cover, Seat Belt Guide-See Front Seat Section

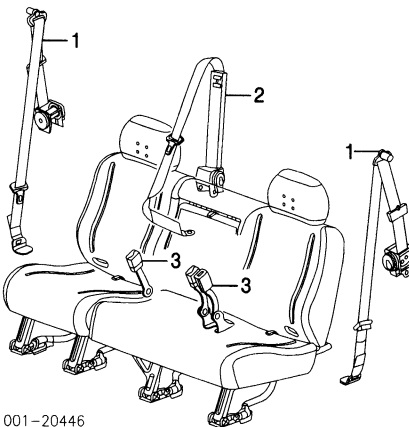
CENTER 2003



001-20445

1 Retractor, Outer Seat Belt	R/L	89022243-2	.7 106.88
2 Buckle, Outer Seat Belt			
Right	R	88954872	.2 71.75
Left-Serviced w/Center Seat Belt			
3 Belt/Buckle, Center Seat		88955571	.2 123.66

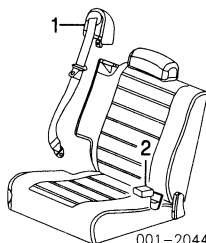
CENTER 2004-09



001-20446

1 Retractor, Outer Seat Belt			
2004	R	89022240	.7 107.64
2005	L	89022241	.7 102.50
H2	R	89024702	.7 102.36
H2 SUT	L	89024701	.7 97.20
2006-09	R/L	89024700-699	.7 100.75
H2	R	89024702	.7 102.36
H2 SUV	L	89024701	.7 97.20
H2 SUT	R/L	89024700-699	.7 100.75
2 Retractor, Center Seat Belt			
04	89022239	.2 95.25	
05-09	89023191	.2 98.78	
3 Buckle, Seat Belt			
04 R/L	88957883-2	.2 75.35	
05-09 R	89023186	.2 75.35	
L	89023194	.2 78.29	

REAR



001-20447

1 Retractor, Seat Belt	03-04	88955572	#.8 102.40
05-09	89023192	#.8 107.32	
#Includes R&I/R&R Lock Pillar Trim Panel			
2 Buckle, Seat Belt	03-04	88954871	.5 75.35

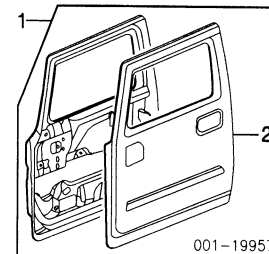
05-09 89023193 .5 75.35

FRONT DOOR

Use Procedure Explanations 16 and 28 with the following text.

SHEET METAL

Refinish Door Outside	R/L	2.3
Add for Jamb & Interior	R/L	1.0
Add for Jamb	R/L	.5
R&I Door Assy	R/L	1.0
Add to R&R Door Shell		
w/Side Impact Sensor	R/Lm	.3



001-19957

1 Shell Assy, Door	03-07 R	25887985	#4.5 946.81
L	25887984	#4.5 959.88	
08-09 R	25887985	#4.5 946.81	
L	25887984	#4.5 959.88	

#Includes R&I/R&R Rear View Mirror

2 Panel, Door Repair	R	15192373	#7.5 436.60
L	15192372	#7.5 430.11	

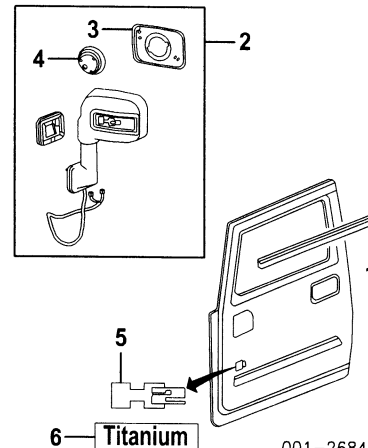
†Includes w/Door Shell Assy

#Includes R&I/R&R Rear View Mirror & Door Glass

EXTERIOR TRIM

R&I Outer Belt Moulding	R/L	.2
R&I Rear View Mirror	R/L	#.6

#Includes R&I Trim Panel



001-26844

1 Moulding, Outer Belt			
2003-07	R	15101756	.2 69.30
L	L	15101755	.2 122.69
2008			
1st Design	R	15101756	.2 69.30
L	L	15101755	.2 122.69
2nd Design	R	15101756	.2 69.30
L	L	15101755	.2 122.69
2009	R	15101756	.2 69.30
L	L	15101755	.2 122.69
2 Mirror Assy, Rear View			
2003-05			
w/Chrome Trim Pkg (RPO-R13)	R	25774401	#.3 654.51
L	L	25774400	#.3 663.48
w/o Chrome Trim Pkg	R	10399954	#.3 574.73
L	L	10399953	#.3 896.70
2006	R	25774401	#.3 654.51
L	L	25774400	#.3 663.48
2007	R	25774401	#.3 654.51
L	L	25774400	#.3 663.48
2008-09	R	25910186	#.3 305.07
L	L	25910185	#.3 398.61

†Order by Application

#w/Trim Panel Removed

3 Glass, Mirror			
2003-05	R	88979812	.3 114.18
L	L	88979813	.3 379.61
2006	R	19120841	.3 47.61
L	L	19120842	.3 244.59
2007			
1st Design	R	19120841	.3 47.61
L	L	19120842	.3 244.59
2nd Design	R	19167554	.3 80.54

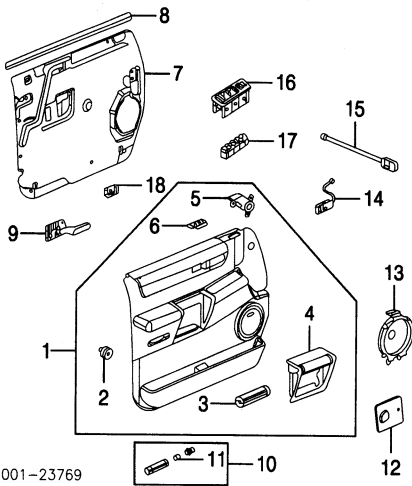
HUMMER H2/H2 SUT 2003-09

2008-09	L 19167555	.3	253.51
	R 19167554	.3	80.54
	L 19167555	.3	253.51
4 Motor, Mirror (a)	R/L 19167560		69.44
(a) Included w/Rear View Mirror Assy			
Nameplate (Adhesive)			
5 "H2"	R/L 15771366	.2	39.77
6 "Titanium"	09 R/L 20787683	.2	54.69

**INTERIOR TRIM
2003-07**

R&I Trim PanelR/L .3

NOTE: All Parts in this section are included in R&R Trim Panel unless noted otherwise.



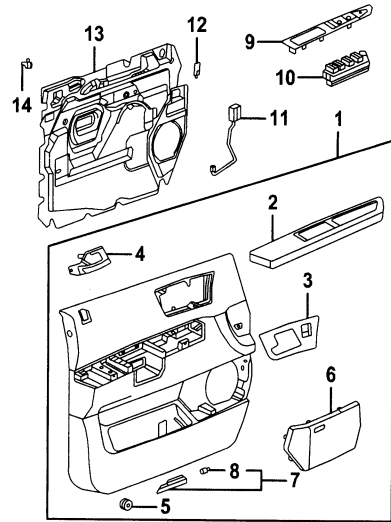
001-23769

1 Panel Assy, Door Trim			
Cloth	03-04 R 10358788	.4	656.38
	L 10358786	.4	716.82
	05-07 R 15846874	.4	734.68
	L 15846872	.4	730.21
Leather	03-04 R 10358792	.4	868.36
	L 10358790	.4	847.18
	05-07 R 15846878	.4	749.40
	L 15846876	.4	749.40
2 Retainer, Panel (S/ Side)	R/L 11519032		4.88
3 Handle, Inside Pull (a)	R/L 88954393	.1	86.62
4 2005-07	R/L 10376209	.1	251.23
w/Luxury Pkg	R/L 10376210	.1	161.46
5 Duct, Air (a)	R 88954391		62.48
	L 88954392		60.96
6 Vent, Air (a)	R 88954389		22.93
	L 88954390		22.45
(a) Included w/Door Trim Panel Assy			
7 Shield, Moisture	R 15779319	#	31.56
	L 15779318	#	32.98
#w/Trim Panel Removed, Not Included in R&R Trim Panel			
8 Moulding, Inner Belt	R 15223812		37.17
	L 15223811		39.58
9 Handle, Inside-See Hardware Section	R 15021518		29.67
10 Lamp Assy, Courtesy	R 15021517		29.78
	L 15021517		29.78
11 Bulb, Lamp (a)	R/L 9425542		1.33
(a) Included w/Courtesy Lamp Assy			
12 Bezel, Handle	03-04 R 15103762		38.03
	L 15103761		83.84
	05-07 R 15129833		29.12
	L 15129832		83.84
13 Speaker, Front Door	R/L 15236987	#.2	85.48
#w/Trim Panel Removed, Not Included in R&R Trim Panel			
Switch, Seat Heater			
Right Side	R 15117124		107.49
Left Side	03-04 L 15117126		147.07
	05-07 L 15117125		185.71
16 Bezel, Door Lock	R 15103770	#.3	6.94
	L 15103769	#.3	35.56
17 Switch, Door Lock/Window (b)	03-04 R 19115820	#.3	188.71
	L 15883319	#.3	194.49
	05 R 19115820	#.3	188.71
	L 15883429	#.3	232.19
	06-07 R 19115820	#.3	188.71
	L 15883429	#.3	232.19
(b) Order by Application			
#R&R One Side Complete, w/Trim Panel Removed Deduct .2			
18 Lever, Lock	R/L 15176140		17.54

**INTERIOR TRIM
2008-09**

R&I Trim PanelR/L .3

NOTE: All Parts in this section are included in R&R Trim Panel unless noted otherwise.



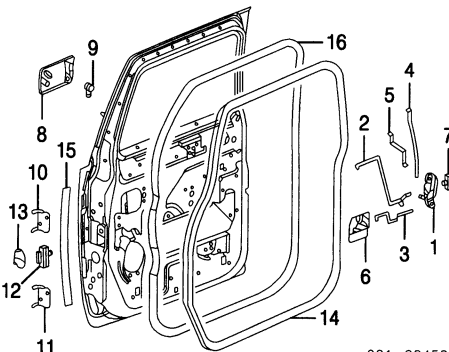
001-26845

1 Panel Assy, Door Trim (a)	R 20823436	.4	478.95
	L 25954159	.4	451.80
2 Armrest (a)	R 15794626		34.82
	L 15794325		215.19
3 Bezel, Inside Handle (a)	R 25879763		133.30
	L 25879761		133.30
(a) Order by Application			
4 Handle, Inside Door (a)	R 25879765	.1	30.65
	L 25879547	.1	31.33
5 Retainer, Trim Panel (a)	R/L 11519031		4.35
(a) As Required			
6 Cover, Speaker (a)	R/L 15924041-0		47.84
7 Lamp Assy, Courtesy (a)	R 15021518		29.67
	L 15021517		29.78
8 Bulb, Lamp (a) (b)	R/L 9425542		1.33
(a) Included w/Door Trim Panel Assy			
(b) Included w/Courtesy Lamp Assy			
Moulding, Inner Belt	R 15223812		37.17
	L 15223811		39.58
9 Plate, Switch (a)	R 25923211	#.3	247.36
	L 25923208	#.3	240.15
(a) Order by Application			
10 Switch, Door Lock/Window			
2008			
1st Design	R 10377669	#.3	210.98
	L 10377668	#.3	219.56
2nd Design	R 25976512	#.3	177.19
	L 25976511	#.3	122.21
2009			
	R 25976512	#.3	177.19
	L 25976511	#.3	122.21
#R&R One Side Complete			
11 Switch, Seat Heater	R N.A.	.2	0.00
	L 12451497	.2	46.89
Speaker, Door	R/L 15236987		85.48
12 Knob, Lock Rod	R/L 15844616		4.46
13 Shield, Moisture	08 R/L 25848850-49		49.99
	09 R/L N.A.	#	0.00
#w/Trim Panel Removed, Not Included in R&R Trim Panel			
14 Bracket, Trim Panel	R/L 22675533		4.29

HARDWARE

Refinish Upper Door Side HingeR/L	.5
Refinish Upper Side Body HingeR/L	.5
Refinish Lower Door Side HingeR/L	.5
Refinish Lower Side Body HingeR/L	.5
R&I Outside HandleR/L	#1.2

#Includes R&I/R&R Door Glass



001-20450

1 Latch, Door		
2003-05	R 15816393	#.5 148.77
	L 15816392	#.5 160.90
2006-07	R 15277648	#.5 108.17
	L 15816392	#.5 160.90

2008			
1st Design	R 15231184	#.5	112.77
	L 25943724	#.5	107.41
2nd Design	R 25943725	#.5	117.03
	L 25943724	#.5	107.41
2009	R 20785788	#.5	112.60
	L 25943726	#.5	114.98

#w/Trim Panel Removed, Includes R&I/R&R Window Guide

2 Rod, Lock	03-07 R/L 15055888-7		4.30
	08-09 R 10396616		3.81
	L 10396615		3.97
3 Rod, Inside Handle	R 15128758		4.14
	L 15128757		4.39
4 Rod, Outside Handle	R 15055893		4.44
	L 15055892		4.48
5 Rod, Lock Cylinder			
Right Side	03-05 R 15055886		4.44
Left Side	L 15055885		4.66
6 Handle, Inside			
2003-07			
w/Luxury Pkg	R 15130012	#.2	69.93
	L 15130013	#.2	74.42
w/o Luxury Pkg	R 15186043	#.2	44.26
	L 15186042	#.2	38.88

#w/Trim Panel Removed

2008-09-See Interior Trim Section			
7 Striker, Front Door	R/L 12451555		.2 14.09
8 Handle, Outside			
w/Chrome Trim Pkg (RPO-R13)	03-05 R 15104791	#1.2	116.25
	L 25845866	#1.2	76.93
	06-07 R 25845867	#1.2	72.39
	L 25845866	#1.2	76.93
w/o Chrome Trim Pkg			
2003-05	R 15104793	#1.2	54.04
	L 15104792	#1.2	68.34
2006-07	R 10360326	#1.2	40.63
	L 15104792	#1.2	68.34
2008 (a)	R 25845867	#1.2	72.39
	L 25845866	#1.2	76.93
2009 (a)			
w/Special Edition Pkg	R/L 25910181-0	#1.2	78.37
w/o Special Edition Pkg	R 25845867	#1.2	72.39
	L 25845866	#1.2	76.93

(a) Order by Application

9 Cylinder, Lock	03-07 R/L 15298924	#1.2	87.22
	08-09 R N.A.	#1.2	0.00
	L 15898566	#1.2	92.47

#R&R One Side Complete, Includes R&I/R&R Door Glass

10 Hinge, Upper			
Door Side	R 15771318	#.3	61.05
	L 15771319	#.3	67.88
Body Side	R 15134976	#.3	75.21
	L 15134975	#.3	79.41
11 Hinge, Lower			
Door Side	R 15771318	#.3	61.05
	L 15771319	#.3	67.88
Body Side	R 15134976	#.3	75.21
	L 15134975	#.3	79.41

#w/Door Removed

12 Check, Door	R 15828959	#.2	55.56
	L 15828958	#.2	52.98

#w/Trim Panel Removed

13 Grommet, Door Check	R/L 15771323		13.51
14 W/Strip, Door Opening-See Rocker/Pillars/Floor Section	R 25868655	.2	68.29
15 W/Strip, Lower Aux (On Door)	L 25868654	.2	69.15

16 W/Strip, Door (On Door)			
2003-07	R 25977403	.3	58.01
	L 25877402	.3	89.12

2008			
1st Design	R 25977403	.3	58.01
	L 25977402	.3	89.12
2nd Design	R 25977403	.3	58.01
	L 25977402	.3	89.12
2009			
	R 25977403	.3	58.01
	L 25977402	.3	89.12

Harness, Door Wiring			
	03-04 R 15292411		93.16
	L 15142719		98.78
	05 R 15292411		93.16
	L 15830249		128.23
	06-07 R 15830248		93.16
	L 15830249		128.23
	08-09 R 25888227		98.02
	L 25904928		116.49

GLASS & PARTS

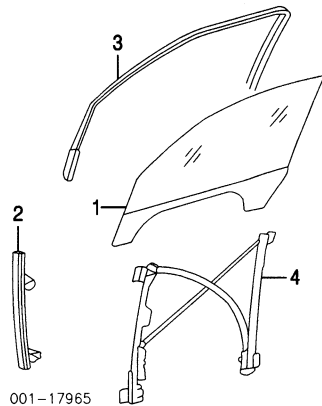
Illustration Located in Next Column

1 Glass, Front Door			
Hummer	R 15114961	.9	555.02
	L 15114960	.9	547.05
NAGS (Green)			
w/Attachments	R DD10175GTY	.9	0.00
	L DD10176GTY	.9	0.00
w/o Attachments	R DD10175GTN	.9	186.90
	L DD10176GTN	.9	186.90
2 Guide, Window	R 15068266	#.2	35.60
	L 15068265	#.2	35.90
#w/Trim Panel Removed			
3 Run, Glass	R 15785353	#.2	101.61
	L 15785352	#.2	109.89
4 Regulator Assy, Window	R/L 10390765-4	#.5	324.16
Motor, Regulator (a)	R 88958034	#.2	107.00
	L 88958035	#.2	106.14
(a) Included w/Window Regulator Assy			

HUMMER H2/H2 SUT 2003-09

FRONT DOOR Cont'd

GLASS & PARTS Cont'd



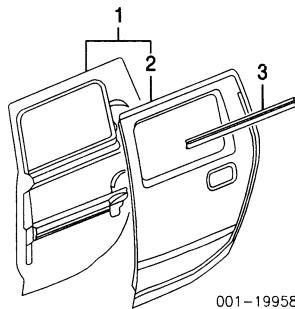
#w/Trim Panel Removed

REAR DOOR

Use Procedure Explanations 16 and 28 with the following text.

SHEET METAL/EXTERIOR TRIM

Refinish Door Outside	R/L	2.3
Add for Jambs & Interior	R/L	1.0
Add for Jambs	R/L	.5
R&I Door Assy.	R/L	1.0
R&I Outer Belt Moulding	R/L	.2
Add to R&R Door Shell	R/Lm	.3
w/Side Impact Sensor	R/Lm	.3



001-19958

1 Shell Assy, Door	R/L	10396626-5	4.3	834.41
2 Panel, Repair	R	15192381	#7.5	412.68
	L	15192380	#7.5	430.11
<i>†Included w/Door Shell Assy</i>				
<i>#Includes R&R/R&R Door Glass</i>				
3 Moulding, Outer Belt				
2003-07	R	25805145	.2	96.02
	L	15101757	.2	99.49
2008				
1st Design	R	25805145	.2	96.02
	L	15101757	.2	99.49
2nd Design	R	25805145	.2	96.02
	L	15101757	.2	99.49
2009	R	25805145	.2	96.02
	L	15101757	.2	99.49

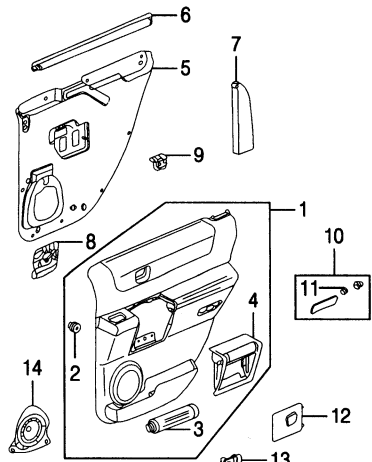
INTERIOR TRIM 2003-07

R&I Trim Panel	R/L	.3
----------------	-----	----

NOTE: All Parts in this section are included in R&R Trim Panel unless noted otherwise.

Illustration Located in Next Column

1 Panel Assy, Door Trim				
Ebony	03-04 R	10358808	.4	758.22
	L	10358810	.4	736.12
	05-07 R	15909245	.4	711.68
	L	15909247	.4	711.68
Wheat	03-04 R	10358804	.4	644.06
	L	10358806	.4	650.26
	05-07 R	15909241	.4	493.25
	L	15909243	.4	494.82
2 Retainer, Panel (4/Side)	R/L	11519032		4.88
Handle, Pull				

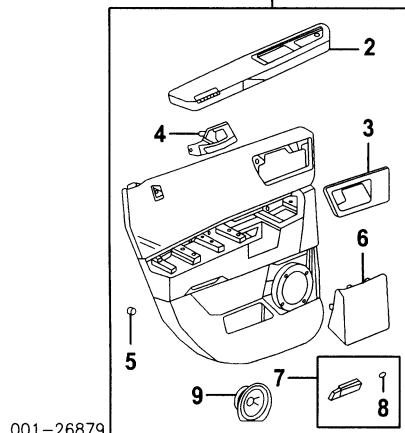
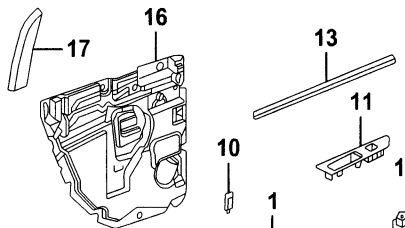


3	2003-04	R/L	88954393	.1	86.62
4	2005-07				
	Ebony	R/L	10376210	.1	161.46
	Wheat	R/L	10376209	.1	251.23
<i>†Included w/Door Trim Panel Assy</i>					
5	Shield, Moisture	R	15779311	#	39.83
		L	15779310	#	37.91
<i>#w/Trim Panel Removed, Not Included in R&R Trim Panel</i>					
6	Moulding, Inner Belt	R/L	15173637-6		34.44
7	Moulding, Rear Garnish				
	Ebony	05-07 R	10392664	.1	30.11
		L	10392662	.1	29.58
	Wheat	R	10358840	.1	28.98
		L	10358837	.1	18.53
8	Handle, Inside-See Hardware Section				
9	Switch, Rear Window	R/L	15093146	.2	40.41
10	Lamp Assy, Courtesy	R	15021518		29.67
		L	15021517		29.78
		R/L	9425542		1.33
	<i>(a) Included w/Courtesy Lamp Assy</i>				
12	Bezel, Handle	03-04 R	15103762		38.03
		L	15103761		83.84
		05-07 R	15129833		29.12
		L	15129832		83.84
13	Lever, Lock	R/L	15176140	#.2	17.54
14	Speaker, Rear Door	R	15054681	#.2	83.33
		L	15054680	#.2	71.04
<i>#w/Trim Panel Removed, Not Included in R&R Trim Panel</i>					

INTERIOR TRIM 2008-09

R&I Trim Panel	R/L	.3
----------------	-----	----

NOTE: All Parts in this section are included in R&R Trim Panel unless noted otherwise.



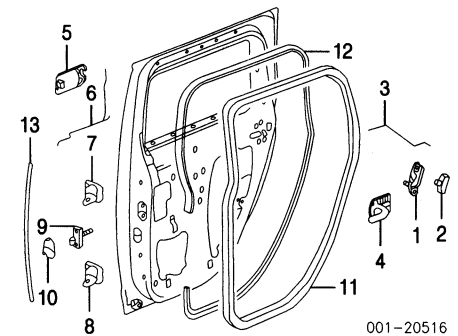
1 Panel Assy, Door Trim	08 R	25954247	.4	480.25
	L	25888415	.4	470.86

09 R	20823472	.4	d493.60	
L	25954245	.4	486.20	
2	Armrest (a)	R/L	15796118-7	215.19
3	Bezel, Inside Handle (a)	R	25879640	133.30
	L	25879638	133.30	
<i>†Order by Application</i>				
4	Handle, Inside (a)	R	25879765	.1
	L	25879547	.1	31.33
5	Retainer, Trim Panel (a) (b)	R/L	11519031	4.35
	<i>(b) As Required</i>			
6	Cover, Speaker (a)	R/L	15924039-8	35.10
7	Lamp Assy, Courtesy (a)	R	15021518	29.67
	L	15021517	29.78	
8	Bulb, Lamp (a) (c)	R/L	9425542	1.33
	<i>(c) Included w/Courtesy Lamp Assy</i>			
9	Speaker, Radio (a)	R/L	25725733	#.2
	<i>(a) Included w/Door Trim Panel Assy</i>			
<i>#w/Trim Panel Removed, Not Included in R&R Trim Panel</i>				
10	Knob, Door Lock	R/L	15844616	4.46
11	Bezel, Switch			
	1st Design	R/L	15798099-8	#.3
	2nd Design	R	25943349	#.3
		L	25943346	#.3
		R	25943349	#.3
		L	25943346	#.3
		R/L	25915861	#.3
12	Switch, Window	R/L	15173637-6	34.44
	<i>#R&R One Side Complete</i>			
13	Moulding, Inner Belt	R/L	15173637-6	34.44
14	Cover, Handle	R/L	25947306-5	3.97
15	Cover, Pull Handle	R/L	25853514	18.66
<i>†Order by Application</i>				
16	Shield, Moisture	R/L	25848852-1	#
	<i>#w/Trim Panel Removed, Not Included in R&R Trim Panel</i>			40.61
17	Moulding, Upper	R	25887108	0.00
	L	25887106	18.79	

HARDWARE

Refinish Upper Door Side Hinge	R/L	.5
Refinish Upper Side Body Hinge	R/L	.5
Refinish Lower Door Side Hinge	R/L	.5
Refinish Lower Side Body Hinge	R/L	.5
R&I Outside Handle	R/L	#1.3

#Includes R&R/R&R Door Glass



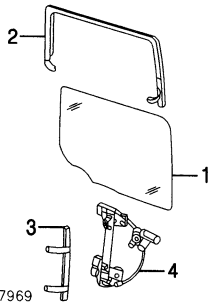
001-20516

1	Latch, Door			
	2003-07	R	15816391	#.3
		L	15816390	#.3
	2008			
	1st Design	R	25840364	#.3
		L	25876579	#.3
	2nd Design	R	25876580	#.3
		L	25876579	#.3
	2009	R	25876580	#.3
		L	25876579	#.3
<i>#w/Trim Panel Removed</i>				
2	Striker, Rear Door	R/L	12451555	.2
3	Rod, Lock	03-07 R/L	15189346-5	15.64
		08-09 R	25906557	3.81
		L	10396636	3.81
4	Handle, Inside			
	Chrome	05-07 R	15130012	#.2
		L	15130013	#.2
		08-09 R	25879765	#.2
		L	25879547	#.2
	Ebony	R	15188043	#.2
		L	15186042	#.2
<i>#w/Trim Panel Removed</i>				
5	Handle, Outside			
	2003-07			
	w/Chrome Trim Pkg (RPO-R13)	R	25845865	#1.3
		L	25845864	#1.3
	w/o Chrome Trim Pkg	R	15104796	#1.3
		L	15104797	#1.3
	2008	R	25845865	#1.3
		L	25845864	#1.3
	2009			
	w/Special Edition Pkg	R	25992321	#1.3
		L	25845864	#1.3
	w/o Special Edition Pkg	R	25845865	#1.3
		L	25845864	#1.3
<i>#Includes R&R/R&R Door Glass</i>				
6	Rod, Outside Handle	R/L	15189248-7	18.70
7	Hinge, Upper			
	Door Side	R	15905607	#.3
		L	15905606	#.3
	Body Side	R	15905609	#.3
		L	15905608	#.3

HUMMER H2/H2 SUT 2003-09

8 Hinge, Lower Door Side	R 15905607	#.3	57.63
	L 15905606	#.3	56.70
Body Side	R 15905609	#.3	71.83
	L 15905608	#.3	58.71
#w/Door Removed			
9 Check, Door	R 15828957	#.2	40.97
	L 15828956	#.2	37.85
#w/Trim Panel Removed			
10 Grommet, Door Check	R/L 15771323		13.51
11 W/Strip, Door Opening-See Rocker/Pillars/Floor Section			
12 W/Strip, Door (On Door)			
2003-07	R 25977405	.3	53.79
	L 25977404	.3	54.29
2008			
1st Design	R 25977405	.3	53.79
	L 25977404	.3	54.29
2nd Design	R 25977405	.3	53.79
	L 25977404	.3	54.29
2009	R 25977405	.3	53.79
	L 25977404	.3	54.29
13 W/Strip, Front Aux (On Door)	R/L 15190528	.1	62.06
Harness, Door Wiring	03-07 R 15846698		122.27
	L 15292418		124.22
	08-09 R/L 25904941-0		82.86

GLASS & PARTS



001-17969

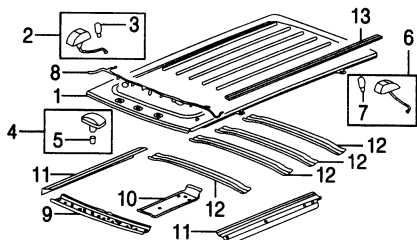
1 Glass, Door Hummer	R 15189211	#1.1	588.98
	L 15189210	#1.1	572.73
NAGS			
w/Attachments			
Gray Privacy	R DD10177YPY	#1.1	0.00
	L DD10178YPY	#1.1	0.00
w/o Attachments			
Green	R DD10177GTN	#1.1	263.70
	L DD10178GTN	#1.1	263.70
Gray Privacy	R DD10177YPN	#1.1	189.40
	L DD10178YPN	#1.1	189.40
#Includes R&R/R Glass Guide			
2 Run, Glass	R 15785355	.2	109.88
	L 15785354	.2	109.03
3 Guide, Glass	R 15068268	#.2	35.90
	L 15068267	#.2	34.14
4 Regulator Assy, Window Motor, Regulator (a)	R/L 15771355-4	#.5	313.28
	R 88981021	#.7	137.18
	L 88981020	#.7	135.80
(a) Included w/Window Regulator Assy			
#w/Trim Panel Removed			

ROOF

Use Procedure Explanations 17 and 28 with the following text.

SHEET METAL/EXTERIOR TRIM H2 2003-05

Refinish Roof Outside	5.0
R&I Front Clearance Lamp Assy	
Outer	R/L .1
Inner (3)	.1
R&I Rear Clearance Lamp Assy	
Outer	R/L .1
Add to R&R Roof Panel	
w/Side Curtain Air Bags	m 1.6
Front	m 1.0
Rear	m 1.0



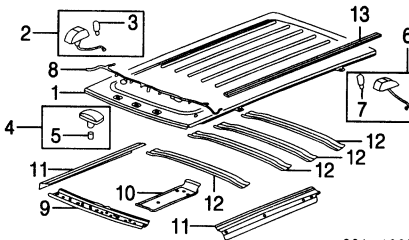
001-19938

1 Panel, Roof w/Sunroof			
-------------------------	--	--	--

2003			
w/Antenna Hole	88980805	#17.5	d912.15
w/o Antenna Hole	25812445	#17.5	959.58
2004-05	25812445	#17.5	959.58
w/o Sunroof			
2003			
w/Antenna Hole	88980795	#16.5	862.38
w/o Antenna Hole	15106986	#16.5	990.77
2004-05	15106986	#16.5	990.77
#Does Not Include R&R/R Quarter Glass			
2 Lamp Assy, Front Outer Clearance	R 15060524	.1	113.69
	L 15060523	.1	112.78
	R/L 9421330		.84
#Included w/Front Outer Clearance Lamp Assy			
4 Lamp Assy, Front Inner Clearance (3)	25809312	.1	99.75
5 Bulb, Front Inner Clearance Lamp (a) (3)	9421330		.84
(a) Included w/Rear Inner Clearance Lamp Assy			
6 Lamp Assy, Rear Outer Clearance	R 15060526	.1	118.75
	L 15060525	.1	120.57
7 Bulb, Rear Outer Clearance Lamp (b)	R/L 9421330		.84
(b) Included w/Rear Outer Clearance Lamp Assy			
8 Harness, Wiring			
2003	15197909		605.19
2004	15106179		280.43
2005			
w/Satellite Radio	15292003		179.07
w/o Satellite Radio	15292004		133.69
9 Panel, Front Header			
Upper	15773322	1.5	100.15
Lower	15201551	1.5	68.56
10 Bracket, Roof Console			
w/o Sunroof	15174510	.5	61.13
11 Rail, Side Roof	R 15061627	2.0	120.15
	L 15061626	2.0	115.25
12 Panel, Roof Bow			
2003-04			
w/Sunroof (3)	15175582	1.0	81.67
w/o Sunroof (4)	15175582	1.0	81.67
2005 (4)	15175582	1.0	81.67
13 Mldg, Roof Joint Finish	R/L 15097191	#.3	103.88
#w/Luggage Rack Removed			

SHEET METAL/EXTERIOR TRIM H2 SUV 2006-09

Refinish Roof Outside	5.0
R&I Front Clearance Lamp Assy	
Outer	R/L .1
Inner (3)	.1
R&I Rear Clearance Lamp Assy	
Outer	R/L .1
Add to R&R Roof Panel	
w/Side Curtain Air Bags	m 1.6
Front	m 1.0
Rear	m 1.0



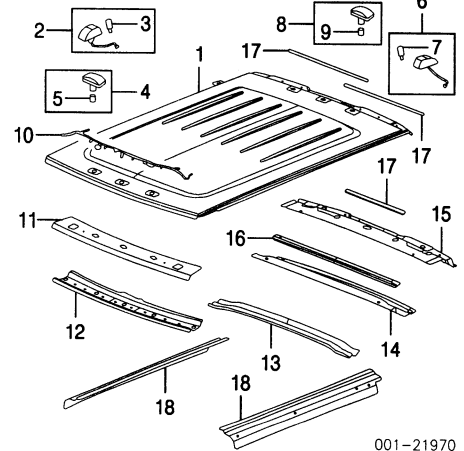
001-19938

1 Panel, Roof w/Sunroof	25812445	#17.5	959.58
	15106986	#16.5	990.77
#Does Not Include R&R/R Quarter Glass			
2 Lamp Assy, Front Outer Clearance	R 15060524	.1	113.69
	L 15060523	.1	112.78
	R/L 9421330		.84
#Included w/Front Outer Clearance Lamp Assy			
4 Lamp Assy, Front Inner Clearance (3)	25809312	.1	99.75
5 Bulb, Front Inner Clearance Lamp (a) (3)	9421330		.84
(a) Included w/Front Inner Clearance Lamp Assy			
6 Lamp Assy, Rear Outer Clearance	R 15060526	.1	118.75
	L 15060525	.1	120.57
7 Bulb, Rear Outer Clearance Lamp (b)	R/L 9421330		.84
(b) Included w/Rear Outer Clearance Lamp Assy			
8 Harness, Wiring			
2006			
w/Satellite Radio	15292003		179.07
w/o Satellite Radio	15292004		133.69
1st Design	15292004		133.69
2nd Design	15846326		128.38
2007			
w/Satellite Radio	15292003		179.07
w/o Satellite Radio	15846326		128.38
2008-09	25907968		177.31
9 Panel, Front Header			
Upper	15773322	1.5	100.15
Lower	15201551	1.5	68.56
	08-09 25912618	1.5	75.74
10 Bracket, Roof Console			

w/o Sunroof	06-07 15174510	.5	61.13
11 Rail, Side Roof	R 15061627	2.0	120.15
	L 15061626	2.0	115.25
12 Panel, Roof Bow (4)	06 15175582	1.0	81.67
	07-09 25923329	1.0	86.56
13 Mldg, Roof Joint Finish	06 R/L 15097191		103.88

SHEET METAL/EXTERIOR TRIM H2 SUT 2005-09

Refinish Roof Outside	3.8
R&I Front Clearance Lamp Assy	
Outer	R/L .1
Inner (3)	.1
R&I Rear Clearance Lamp Assy	
Outer	R/L .1
Inner (3)	.1
Add to R&R Roof Panel	
w/Side Curtain Air Bags	m 1.6
Front	m 1.0
Rear	m 1.0



001-21970

1 Panel, Roof	25812446	15.0	773.85
2 Lamp Assy, Front Outer Clearance	R 15060524	.1	113.69
	L 15060523	.1	112.78
	R/L 9421330		.84
#Included w/Front Outer Clearance Lamp Assy			
4 Lamp Assy, Front Inner Clearance (3)	25809312	.1	99.75
	9425542		1.33
(a) Included w/Front Inner Clearance Lamp Assy			
6 Lamp Assy, Rear Outer Clearance	R 15060526	.1	118.75
	L 15060525	.1	120.57
7 Bulb, Rear Outer Clearance Lamp (b)	R/L 9421330		.84
(b) Included w/Rear Outer Clearance Lamp Assy			
8 Lamp Assy, Rear Inner Clearance (3)	25809313	.1	96.72
	9425542		1.33
(c) Included w/Rear Inner Clearance Lamp Assy			
10 Harness, Wiring			
2005			
w/Satellite Radio	15292003		179.07
w/o Satellite Radio	15292004		133.69
2006			
w/Satellite Radio	15292003		179.07
w/o Satellite Radio	15292004		133.69
1st Design	15292004		128.38
2nd Design	15846326		128.38
2007			
w/Satellite Radio	15292003		179.07
w/o Satellite Radio	15846326		128.38
2008-09	25907968		177.31
Panel, Front Header			
Upper	15773322	1.5	100.15
Lower	05-07 15201551	1.5	68.56
	08-09 25912618	1.5	75.74
Panel, Roof Bow			
13 Front	05-06 15175582	1.0	81.67
	07-09 25923329	1.0	86.56
	15098223	1.0	89.97
14 Rear	10381497	1.5	112.50
15 Panel, Rear Header	15098264	.5	17.64
16 Channel, Roof	15098292	.1	20.01
17 Seal, Panel (3)	R 15061627	2.0	120.15
	L 15061626	2.0	115.25

Illustration Located in Next Column

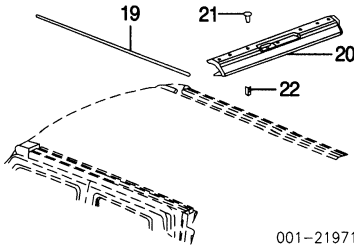
19 Moulding, Joint	05-06 R/L 15104479	#.3	75.56
#w/Luggage Rack Removed			
20 Moulding, Rear Roof	25953711	#1.2	235.66
#Includes R&R Side Mouldings			

HUMMER H2/H2 SUT 2003-09

ROOF Cont'd

SHEET METAL/EXTERIOR TRIM

H2 SUT 2005-09 Cont'd

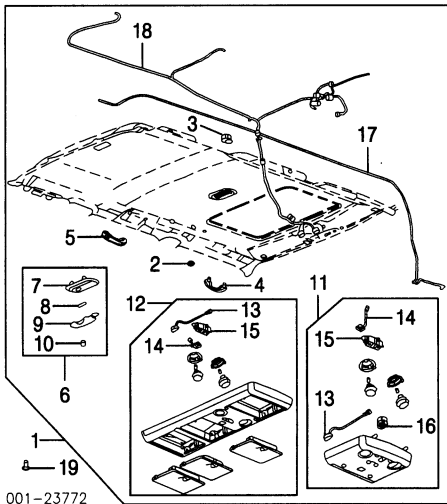


001-21971

21 Screw, Mounting (4)	11518329	4.04
22 Nut, Attaching (4)	11609317	.48

INTERIOR TRIM H2 2003-05

R&I Headliner..... 4.5

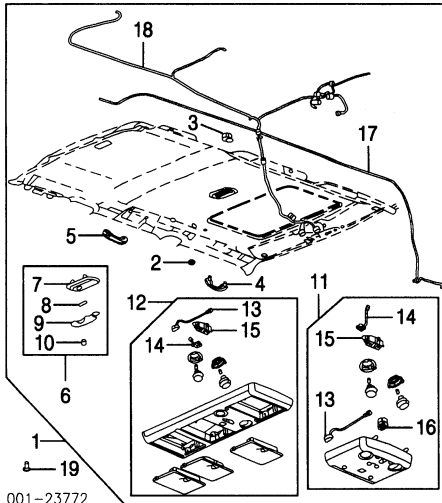


001-23772

1 Headliner Assy w/Sunroof 2003	15103713	4.5	d2417.61
2004		4.5	d2417.61
1st Design	15103713	4.5	d2417.61
2nd Design	15938020	4.5	1350.89
2005		4.5	d1511.07
1st Design	15211577	4.5	d1511.07
2nd Design	15938020	4.5	1350.89
w/o Sunroof		4.5	d1291.21
2003	15222131	4.5	d1291.21
2004		4.5	d1291.21
1st Design	15222131	4.5	d1291.21
2nd Design	15827926	4.5	1226.92
2005		4.5	d1291.21
1st Design	15222131	4.5	d1291.21
2nd Design	15827926	4.5	1226.92
2 Aspirator, Vent	15075507	12.77	
3 Sensor, Aspirator Handle, Grab	25903301	45.66	
4 Front	R/L 15191516	.1	26.20
	R 15079242	.1	26.20
5 Rear (c)	L 15079241	.1	28.40
<i>(c) Order by Application</i>			
6 Lamp Assy, Dome	25966025	.2	51.40
7 Housing, Dome Lamp (a)	15032587	59.63	
8 Bulb, Dome Lamp (a)	12450074	2.37	
9 Lens, Dome Lamp (a)	15032588	34.02	
10 Switch, Dome Lamp (a)	15166059	4.60	
<i>(a) Included w/Dome Lamp Assy</i>			
Console Assy, Roof			
11 w/Sunroof	10358690	.2	1006.57
12 w/o Sunroof	15222133	.2	1494.53
13 Microphone, On-Star (b)	15264477	44.20	
14 Microphone, Sound System (b)	15240415	45.07	
15 Transmitter, Garage Door Opener (b)		194.75	
	15057866	20.06	
	15089942		
<i>(b) Included w/Roof Console Assy</i>			
17 Hose, Washer Nozzle	15192801	46.98	
18 Harness, Roof Serviced w/Headliner Assy	15100743	4463.38	
<i>(a) Included w/Headliner Assy</i>			
19 Retainer, Headliner (10)	15192013	5.05	

INTERIOR TRIM H2 SUV 2006-07

R&I Headliner..... 4.5



001-23772

1 Headliner Assy w/Sunroof	15938020	4.5	1350.89
w/o Sunroof	15938018	4.5	1963.46
2 Aspirator, Vent	15075507	12.77	
3 Sensor, Aspirator Handle, Grab	25903301	45.66	
4 Front	R/L 15191516	.1	26.20
	R 15079242	.1	26.20
5 Rear (c)	L 15079241	.1	28.40
<i>(c) Order by Application</i>			
6 Lamp Assy, Dome	25966025	.2	51.40
7 Housing, Dome Lamp (a)	15032587	59.63	
8 Bulb, Dome Lamp (a)	12450074	2.37	
9 Lens, Dome Lamp (a)	15032588	34.02	
10 Switch, Dome Lamp (a)	15166059	4.60	
<i>(a) Included w/Dome Lamp Assy</i>			
Console Assy, Roof			
11 w/Sunroof	10358690	.2	1006.57
12 w/o Sunroof	15222133	.2	1494.53
13 Microphone, On-Star (b)	15264477	44.20	
14 Microphone, Sound System (b)	15240415	45.07	
15 Transmitter, Garage Door Opener (b)		194.75	
	15057866	20.06	
	15089942		
<i>(b) Included w/Roof Console Assy</i>			
17 Hose, Washer Nozzle	15192801	46.98	
18 Harness, Roof Serviced w/Headliner Assy	15100743	4463.38	
<i>(a) Included w/Headliner Assy</i>			
19 Retainer, Headliner (10)	15192013	5.05	

INTERIOR TRIM H2 SUV 2008-09

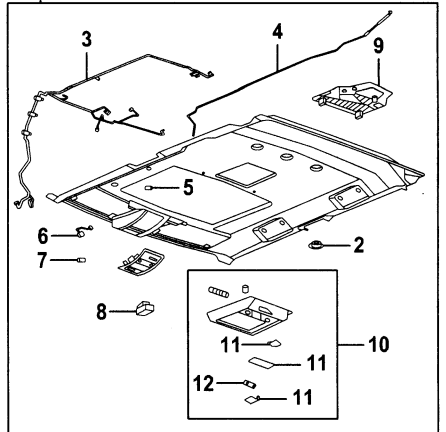
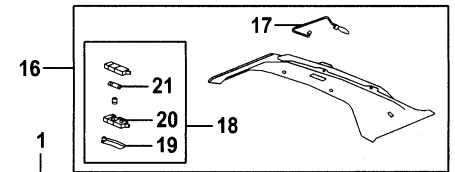
R&I Headliner..... 4.5

Add to R&I/R&R Headliner

w/Front Console..... 4

Illustration Located in Next Column

1 Headliner Assy w/Sunroof	08 19206658	4.5	1057.42
w/Entertainment System	09 N.A.	4.5	0.00
w/o Entertainment System	08 19206657	4.5	899.84
	09 N.A.	4.5	0.00
w/o Sunroof	08 19206656	4.5	849.14
	09 N.A.	4.5	0.00
2 Deflector, Air Outlet (4)	25835392	8.38	
3 Harness, Roof Serviced w/Headliner Assy			
4 Hose, Rear Washer Serviced w/Headliner Assy			
5 Aspirator, Vent	15075507	12.77	
6 Microphone, On-Star	15264477	44.20	
7 Bezel, Microphone	22666403	12.78	
8 Retainer	R 15877253	27.33	
	L 15877252	30.88	
9 Bracket, DVD Player	15287715	28.51	
10 Clip, Bracket (2)	11588650	3.68	
11 Console Assy, Rear (a)	25817052	.2	173.50
<i>(a) Order by Application</i>			
11 Lens (b)			
Outer	R/L 15853942-1	5.46	
Center	15853943	7.25	
12 Bulb (b) (2)	9431809	2.66	
<i>(b) Included w/Headliner Assy</i>			
13 DVD Player	15948136	.6	429.83

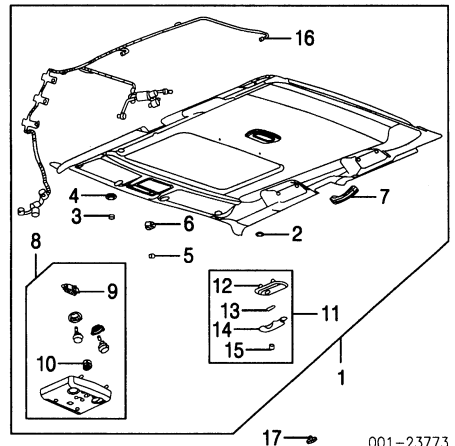


001-26867

14 Handle Assy, Assist (a)	R/L 25858022	.1	14.30
<i>(a) Ebony listed, Order by Application</i>			
15 Spacer, Handle (e)	R/L 25825867		3.51
<i>(e) Included w/Assist Handle Assy</i>			
16 Trim Assy, Rear Headliner	19206661	.3	380.74
17 Harness (c)	25830548		18.60
18 Lamp Assy, Rear Dome (c)	25966025	.2	51.40
19 Lens, Dome Lamp (c) (d)	15032588		34.02
20 Housing, Dome Lamp (c) (d)	15032587		59.63
21 Bulb, Lamp (c) (d) (3)	12450074		2.37
<i>(c) Included w/Rear Headliner Trim Assy</i>			
<i>(d) Included w/Rear Dome Lamp Assy</i>			

INTERIOR TRIM H2 SUT 2005-07

R&I Headliner..... 3.7



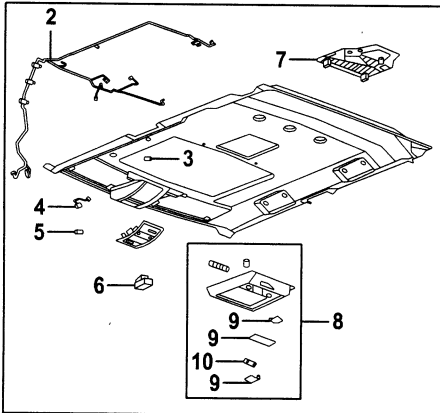
001-23773

1 Headliner Assy	05 10358688	3.7	d1303.51
	06-07 15938022	3.7	1637.78
2 Retainer, Rear Panel (4)	11588305	4.58	
3 Microphone, On-Star	15264477	44.20	
4 Bezel, Microphone	22666403	12.78	
5 Aspirator, Vent	15075507	12.77	
6 Sensor, Aspirator	25903301	45.66	
7 Handle, Grab	R 15079242	26.20	
	L 15079241	28.40	
8 Console Assy, Roof	10358690	.2	1006.57
9 Transmitter, Garage Door Opener (a)			
	15057866	194.75	
10 Switch, Sunroof (a)	15089942	20.06	
<i>(a) Included w/Roof Console Assy</i>			
11 Lamp Assy, Dome	25966025	.2	51.40
12 Housing, Dome Lamp (b)	15032587	59.63	
13 Bulb, Dome Lamp (b)	12450074	2.37	
14 Lens, Dome Lamp (b)	15032588	34.02	
15 Switch, Dome Lamp (b)	15166059	4.60	
<i>(b) Included w/Dome Lamp Assy</i>			

16 Harness, Roof- Serviced w/Headliner Assy Included w/Headliner Assy		
17 Retainer, Front Panel (2)	15763887	4.95

**INTERIOR TRIM
H2 SUT
2008-09**

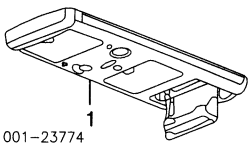
R&I Headliner	3.7
Add to R&I/R&R Headliner w/Front Console	.4
w/Entertainment System	.6



001-26869

1 Headliner Assy			
w/Sunroof			
w/Entertainment System	19206660	3.7	943.19
w/Entertainment System	19206659	3.7	821.98
w/o Sunroof	N.A.	3.7	0.00
2 Harness, Roof- Serviced w/Headliner Assy			
3 Aspirator, Vent	15075507		12.77
4 Microphone, On-Star	15264477	.4	44.20
5 Bezel, Microphone	22666403		12.78
6 Retainer	R 15877253		27.33
	L 15877252		30.88
7 Bracket, DVD Player	15287715		28.51
8 Clip, Bracket (2)	11588650		3.68
8 Console Assy, Rear (a)	25817052	.2	173.50
(a) Order by Application			
9 Lens (b)			
Outer	R/L 15853942-1		5.46
Center	15853943		7.25
10 Bulb (b) (2)	9431809		2.66
Included w/Headliner Assy			
Included w/Rear Console Assy			
11 DVD Player	15948136	.6	429.83
12 Handle, Assist (a)	R 25858022	.1	14.30
	L 25858022		14.30
(a) Ebony listed, Order by Application			
13 Spacer, Handle	R/L 25825867		3.51

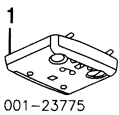
**OVERHEAD CONSOLE
2003-07
W/FULL CONSOLE**



001-23774

1 Console Assy, Roof-See Interior Section

**OVERHEAD CONSOLE
2003-07
W/O FULL CONSOLE**



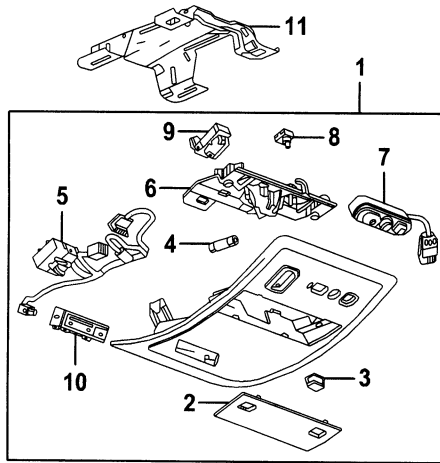
001-23775

1 Console Assy, Roof-See Interior Section

**OVERHEAD CONSOLE
2008-09**

R&I Front Console Assy	.4
------------------------	----

NOTE: All Parts in this section are included in R&R Front Console unless noted otherwise.

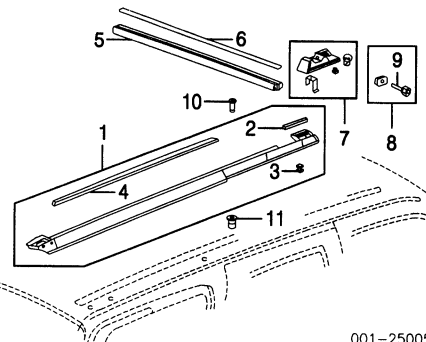


001-26868

1 Console Assy, Front			
w/Sunroof			
w/Entertainment System	25853058	.6	193.53
w/o Entertainment System	25857312	.6	155.63
w/o Sunroof	08 25857310	.6	132.45
	09 25898253	.6	135.56
Order by Application			
2 Lens, Lamp (a)	15911049		9.48
3 Switch, Lamp (a) (2)	15853948		3.95
4 Bulb, Lamp (a) (2)	9431809		2.66
5 Harness, Console (a)	N.A.		0.00
6 Lamp, Courtesy (a)	N.A.	.2	0.00
7 Switch, On-Star (a)	15856545	.2	39.18
8 Switch, Lamp (a)	N.A.	.2	0.00
9 Switch, Sunroof (a)	15259348	.2	18.92
10 Indicator, Air Bag Module (a) (b)	22627868		32.34
(a) Included w/Front Console Assy			
(b) Order by Application			
11 Bracket, Console	25948860	#.2	96.54
#Not Included in R&R Front Console Assy			

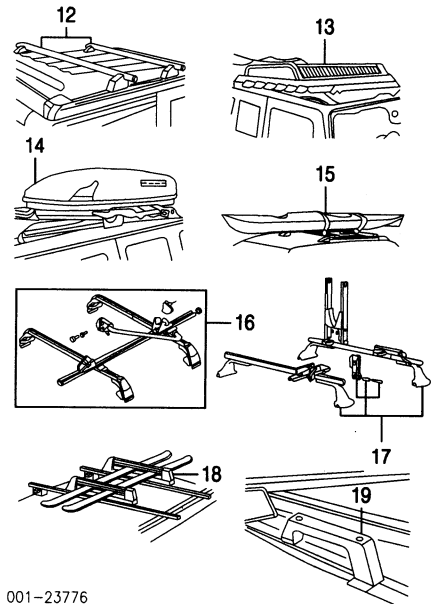
**ROOF LUGGAGE RACK
H2
2003-05**

R&I Luggage Rack	.6
R&I Cross Rail	R/L .3
R&R Luggage Rack Complete	.8
R&R Cross Rail	R/L .3



001-25005

1 Rail Assy, Side	R 15241412	.5	387.74
	L 15241411	.5	400.34
Order by Application			
2 Cover, Side Rail (c)			
2003-04	R 15184355		66.51
	L 15184354		67.66
2005-Serviced w/Side Rail Assy			
3 Nut, Mounting (c) (2/Side)	R/L 25536302		5.37
4 Gasket (c)			
2003	R 12335675		d19.64
	L 12335671		20.03
2004-05-Serviced w/Side Rail Assy			
(c) Included w/Side Rail Assy			
5 Rail, Cross (2)			
Aluminum	12335654	.3	415.91
Black	12335656	.3	298.07
6 Slat, Cross (2)	88962550	.3	24.00
7 Adjuster, Rail	R 12335652		174.44
	L 12335653		139.79
8 Cap Assy, Rail	88980071		31.28
9 Key, Cap (a) (b)	88980076		12.36
(a) Order by Application			
(b) Included w/Rail Cap Assy			
10 Bolt, Mounting (20)	11562052		.98
11 Nut, Mounting (20)	11609317		.48

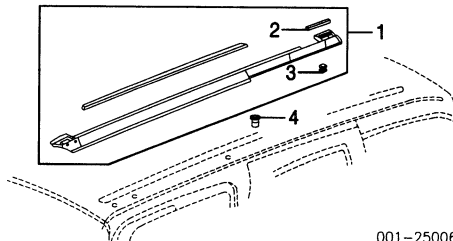


001-23776

12 Cross Rail Kit			
Dealer Installed			
Black	89006960	#	419.00
Chrome	17801157	#	443.00
#See Headnotes for Labor Time			
13 Basket Kit, Roof			
Dealer Installed	89006880		1054.00
14 Carrier Kit, Hard Shell			
Dealer Installed	89006760		560.00
15 Carrier Kit, Canoe			
Dealer Installed	89006755		166.00
Carrier Kit, Bicycle			
Dealer Installed			
Fork Mount	89006890		169.00
Wheel Mount	89006730		179.00
18 Carrier Kit, Ski			
Dealer Installed			
4 Pairs	89006740		178.00
6 Pairs	89006750		191.00
19 Handle Kit, Roof Rail			
Dealer Installed	12499199		318.00

**ROOF LUGGAGE RACK
H2 SUV
2006-09**

R&I Luggage Rack	.6
R&I Side Rail	R/L .3
R&R Luggage Rack Complete	.8
R&I Roof Rack Cross Rail	
Front	.3
Rear	.3
R&R Roof Rack Cross Rail	
Front	.3
Rear	.3
R&R Cross Rail	R/L .3



001-25006

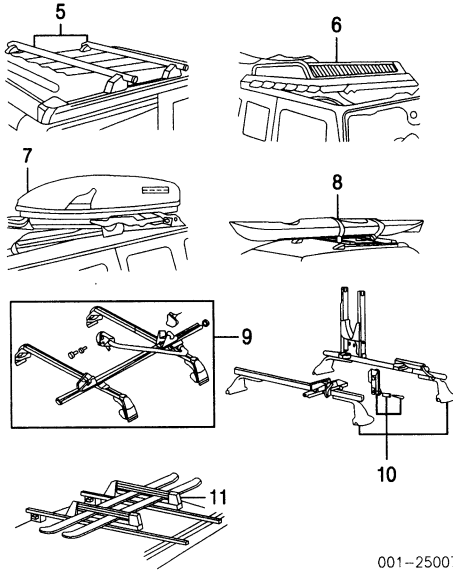
1 Rail, Side	R/L N.A.		
2 Cover, Side Rail-Serviced w/Side Rail Assy		.5	0.00
3 Nut, Mounting (2/Side)-Serviced w/Side Rail Assy			
4 Nut (a)	11609317		.48
(a) As Required			
Illustration Located in Next Column			
5 Cross Rail Kit			
Dealer Installed	17801158	#	419.00
Order by Application			
#See Headnotes for Labor Time			
6 Basket Kit, Roof			
Dealer Installed	89006880		1054.00
7 Carrier Kit, Hard Shell			

HUMMER H2/H2 SUT 2003-09

ROOF Cont'd

ROOF LUGGAGE RACK

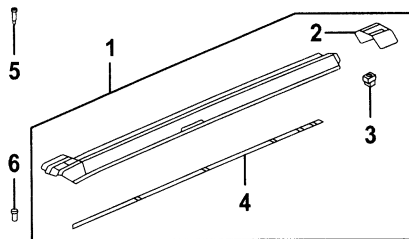
H2 SUV
2006-09 Cont'd



Dealer Installed	89006760	560.00
8 Carrier Kit, Canoe		
Dealer Installed	06 89006755	166.00
Carrier Kit, Bicycle		
Dealer Installed		
9 Fork Mount	89006890	169.00
10 Wheel Mount	89006730	179.00
11 Carrier Kit, Ski		
Dealer Installed		
4 Pairs	89006740	178.00
6 Pairs	89006750	191.00

ROOF LUGGAGE RACK H2 SUT 2005-09

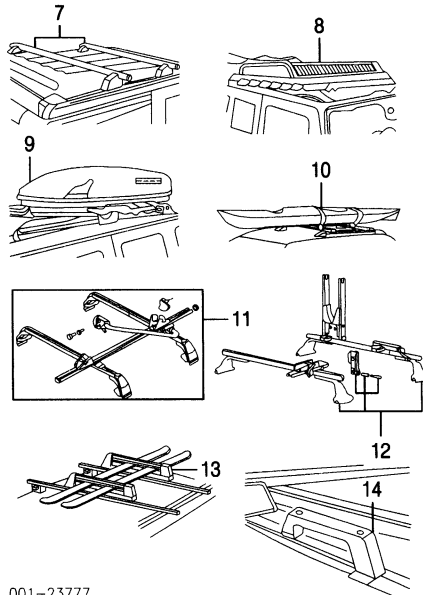
R&I Luggage Rack6
R&I Cross Rail R/L	.3
R&R Luggage Rack Complete8
R&R Cross Rail R/L	.3



001-26870		
1 Rail Assy, Side	R 15847168	.5 183.22
	L 15847167	.5 174.50
2 Cap, Side Rail	R/L 15871915-4	39.51
3 Nut, Cap	Service w/Side Rail Assy	
4 Gasket, Rail	Service w/Side Rail Assy	
	Included w/Side Rail Assy	
5 Bolt, Side Rail (a)	R/L 11562052	.98
	(a) As Required	
6 Nut, Expansion (7/Side)	R/L 11609317	.48

Illustration Located in Next Column

7 Cross Rail Kit		
Dealer Installed		
Black	89006960	# 419.00
Chrome	17801157	# 443.00
#See Headnotes for Labor Time		
8 Basket Kit, Roof	89006880	1054.00
Dealer Installed		
9 Carrier Kit, Hard Shell	89006760	560.00
Dealer Installed		
10 Carrier Kit, Canoe	89006755	166.00
Carrier Kit, Bicycle		

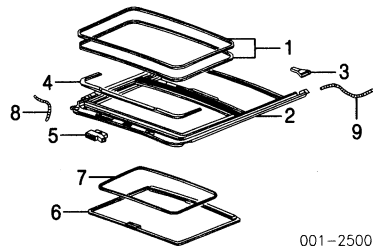


001-23777		
Dealer Installed		
11 Fork Mount	89006890	169.00
12 Wheel Mount	89006730	179.00
13 Carrier Kit, Ski		
Dealer Installed		
4 Pairs	89006740	178.00
6 Pairs	89006750	191.00
14 Handle Kit, Roof Rail		
Dealer Installed	12499199	318.00

SUNROOF

R&I Sunroof Assy	#.6
O/H Sunroof Assy	#2.0
#w/Headliner Removed		

NOTE: All Parts in this section are included in overhaul unless noted otherwise.



001-25008		
1 Glass, Sunroof	15781625	.5 789.31
2 Frame, Sunroof	03-07 25810291	IOH 794.85
	08-09 25845141	IOH 583.15
3 Bracket, Sunroof Module	03-07 R/L 15172448	18.70
	08-09 R 15259991	38.20
	L 15259990	36.05
4 Deflector, Air		
2003	15174963	.3 214.48
2004		
1st Design	15174963	.3 214.48
2nd Design	19178431	.3 217.29
2005-09	19178431	.3 217.29
5 Motor, Sunroof		
H2	03-04 88944363	#.3 658.16
	05 88980804	#.3 462.33
H2 SUV	06-09 88980804	#.3 462.33
H2 SUT	05-09 88980804	#.3 462.33
6 Seal, Sunroof Opening	03-04 15191528	54.40
	05-09 15251369	200.94
7 Sunshade		
2003-07	25810301	#.2 495.10
2008-09	25810300	#.2 251.75
#w/Headliner Removed		
8 Hose, Front Drain	L 15826707	18.24
	L 15826706	17.49
9 Hose, Rear Drain		
H2	03-05 R/L 10386488	32.31
H2 SUT	05-09 R/L 10386488	32.31
H2 SUV	06-07 R/L 15129966	20.03
	08-09 R/L 15866193	32.02

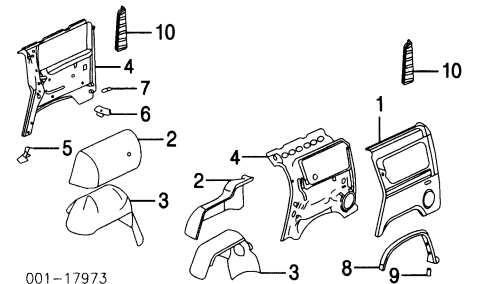
QUARTER PANEL

Use Procedure Explanations 20 and 28 with the following text.

SHEET METAL/EXTERIOR TRIM

H2
2003-05

Refinish Quarter Panel Outside R/L	2.5
Add for Pillar R/L	.5
Add to Edge Panel R/L	.5
Add for Inside R/L	.8
R&I Rear Wheel Opening Flare R/L	.2
R&I Quarter Panel Applique R/L	.2
R&R Both Quarter Panels	28.6
R&R Roof & Both Quarter Panels		
w/Sunroof	41.1
w/o Sunroof	40.1
Add to R&R Quarter Panel		
To R&I Quarter Glass R/L	.3
w/Side Curtain Air Bag		
Rear R/Lm	.5

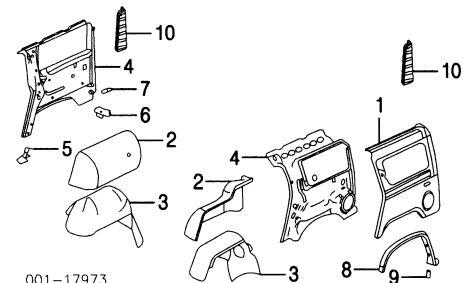


001-17973		
1 Panel, Outer	R 25983710	#14.5 517.41
	L 25983711	#15.0 524.08
#w/Root Removed Deduct 2.5		
2 Panel, Inner Whinse	R 10370686	6.0 88.07
	L 15773367	6.0 135.95
3 Shield, Inner	R 15111880	.3 152.07
	L 15111879	.3 163.22
4 Panel, Inner Qtr	R 88944236	4.5 475.37
	L 88944235	4.5 489.24
5 Insulator, Panel	R/L 25818911-0	31.41
6 Seal, Inner	R/L 15070071-0	33.09
7 Baffle, Side Panel	R/L 15072303-2	.4 21.97
8 Flare, Rear Wheel Opening		
Ebony	R 15255715	.2 95.00
	L 15255714	.2 94.69
9 Retainer, Flare	R/L 11561878	.96
*As Required		
10 Applique Assy, Quarter Panel	R 15206329	.2 47.27
	L 15206328	.2 52.03
Retainer, Applique (a) (2/Side)	R/L 10271562	5.74
(a) Included w/Quarter Panel Applique Assy		

SHEET METAL/EXTERIOR TRIM

H2 SUV
2006-09

Refinish Quarter Panel Outside R/L	2.5
Add for Pillar R/L	.5
Add to Edge Panel R/L	.5
Add for Inside R/L	.8
Refinish Rear Wheel Opening Flare R/L	1.0
R&I Rear Wheel Opening Flare R/L	.2
R&I Quarter Panel Applique R/L	.2
R&R Both Quarter Panels	28.6
R&R Roof & Both Quarter Panels		
w/Sunroof	41.1
w/o Sunroof	40.1
Add to R&R Quarter Panel		
To R&I Quarter Glass R/L	.3
w/Side Curtain Air Bag		
Rear R/Lm	.5



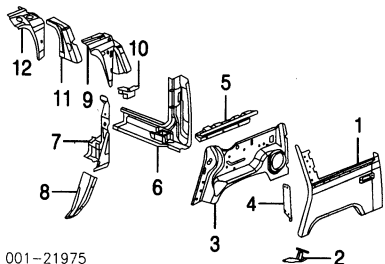
001-17973		
1 Panel, Outer	R 25983710	#14.5 517.41
	L 25983711	#15.0 524.08
#w/Root Removed Deduct 2.5		
2 Panel, Inner Whinse	R 10370686	6.0 88.07
	L 15773367	6.0 135.95
3 Shield, Inner	R 15111880	.3 152.07
	L 15111879	.3 163.22
4 Panel, Inner Qtr	R 88944236	4.5 475.37
	L 88944235	4.5 489.24

HUMMER H2/H2 SUT 2003-09

5 Insulator, Panel	06 R/L 25818911-0	31.41
	07 R/L 25818911-0	31.41
6 Seal, Inner	R/L 15070071-0	33.09
7 Baffle, Side Panel	R/L 15072303-2	21.97
8 Flare, Rear Wheel Opening		.4
	Ebony R 15255715	95.00
	L 15255714	94.69
Paint to Match	R/L 19120904-5	241.06
9 Retainer, Flare [¶]	R/L 11561878	.96
	<i>¶As Required</i>	
10 Applique Assy, Quarter Panel	R 15206329	47.27
	L 15206328	52.03
Retainer, Applique (a) (2/Side)	R/L 10271562	5.74
	<i>(a) Included w/Quarter Panel Applique Assy</i>	

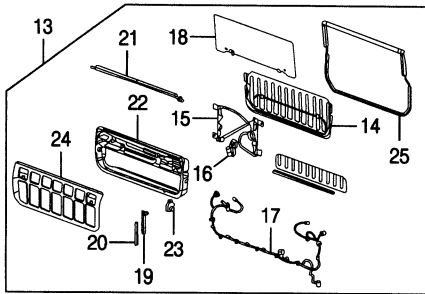
SHEET METAL/EXTERIOR TRIM H2 SUT 2005-09

Refinish Quarter Panel Outside	R/L	2.2
Add for Pillar	R/L	.5
Add to Edge Panel	R/L	.5
Add for Inside	R/L	.8
Refinish Rear Wheel Opening Flare	R/L	1.0
R&L Center Gate		.7
R&L Rear Wheel Opening Flare	R/L	.2
R&L Side Moulding	R/L	.5
R&L Rear Stationary Glass	R/L	#1.5
	<i>#Includes Clean Old Adhesive as Necessary</i>	
R&R Both Quarter Panels		23.6
R&R Roof & Both Quarter Panels		35.0



001-21975

1 Panel, Outer Qtr [¶]	R 25983712	#12.0	448.53
	L 25983713	#12.5	471.01
	<i>¶Order by Application</i>		
	<i>#w/Roof Removed Deduct 1.5</i>		
2 Insulator, Lower	R/L 25818911-0	3.5	31.41
3 Panel, Inner Qtr	R 19178301	3.5	327.63
	L 88980690	3.5	341.37
4 Baffle, Inner	R 15192224	.4	29.83
	L 15173928	.4	28.99
5 Reinf, Inner	R 15098127	1.0	129.92
	L 15098126	1.0	123.49
6 Panel, Rear Body	R 19121624	3.0	298.90
	L 19121625	3.0	251.64
7 Panel, Upper Outer	R 15189399	1.5	75.83
	L 15189398	1.5	73.98
8 Panel, Lower Outer	R 15068293	1.0	25.68
	L 15068292	1.0	24.63
9 Reinf, Upper	R 88980693	1.5	72.80
	L 88980692	1.5	69.32
10 Bracket, Reinf	R/L 15186298-7	.3	28.78
11 Panel, Inner	R/L 10366338-9	1.0	59.19
12 Panel, Upper	05-06 R/L 15148300-1	1.0	72.80
	07-09 R/L 15148300-1	1.0	72.80
Filler, Inner Panel	R 15170453	34.90	
	L 15170452	36.39	

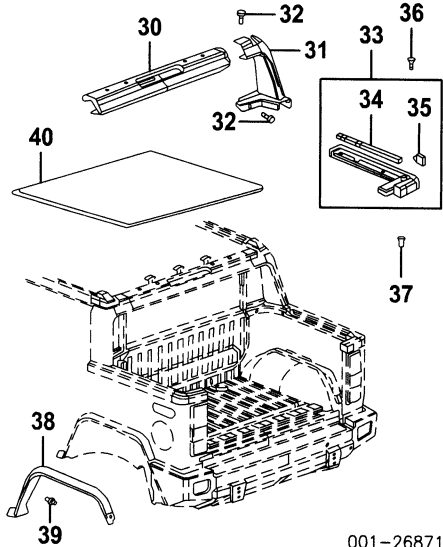


001-21976

13 Gate Assy, Center (a)	05 25850329	.7	1465.60
	06 15817498	.7	1183.13
	07-09 25850329	.7	1465.60
	<i>(a) Order by Application</i>		
14 Panel, Outer [¶]	88980210	#2.2	485.45

<i>#Includes R&R Inner Panel, Center Glass, Window Regulator & Motor</i>			
15 Regulator, Window [¶]	88980213	#.4	294.94
16 Motor, Regulator [¶]	05 88980245	#.3	256.86
	06-09 89046084	#.3	292.56
<i>#w/Center Glass Removed</i>			
17 Harness, Wiring [¶]	15097704		67.88
18 Glass, Center [¶]	Hummer	#1.2	634.40
	NAGS	#1.2	726.40

<i>#Includes R&R Inner Panel</i>			
19 Rail, Glass Guide [¶]	R/L 88980215-4		30.92
20 Run, Glass Channel [¶]	R/L 88980244		27.37
21 Moulding, Outer Belt [¶]	15243840	.2	190.34
22 Frame, Window [¶]	88980210	#2.4	485.45
<i>#Includes R&R Inner Panel, Outer Panel, Center Glass, Window Regulator & Motor</i>			
23 Latch, Gate [¶]	R 15184908		106.44
	L 15184907		96.76
24 Panel, Inner [¶]	88980211	.5	143.49
25 Weatherstrip, Gate [¶]	15871403	.4	148.34
	<i>¶Included w/Center Gate Assy</i>		
26 Glass, Side Stationary	R 10382316	#1.2	680.61
	L 10382315	#1.2	673.86
<i>#Includes Clean Old Adhesive as Necessary</i>			
27 Moulding, Lower	05 10392681		92.58
	06-09 10392681		92.58
28 Hinge, Gate	88980216		75.58
29 Cover, Hinge	R 10358749		21.04
	L 10358747		22.07



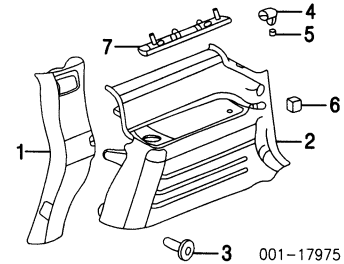
001-26871

30 Moulding, Rear Roof-See Roof Section			
31 Moulding, Side	R 25953708	.5	153.37
	L 25953707	.5	148.45
32 Screw, Mounting			
	Upper R/L 11518705		4.25
	Lower R/L 11518329		4.04
33 Protector Assy, Side Bed Panel	R/L 25953710-09	#.3	141.08
	<i>#Includes R&R Upper Rail, Included in R&R Side Moulding</i>		
34 Rail, Upper (b)	R/L 10397111-0	.2	40.56
35 Retainer (b) (5/Side)	R/L 11588882		3.68
	<i>(b) Included w/Side Bed Panel Protector Assy</i>		
36 Screw, Retaining (2/Side)	R/L 11518329		4.04
37 Nut, Expanding (2/Side)	R/L 11609317		.48
38 Flare, Rear Wheel Opening			
	Ebony R 15255715	.2	95.00
	Blue L 15255714	.2	94.69
	L 15293999	.2	228.03
	L 15293998	.2	182.42
Paint to Match	R/L 19120904-5	.2	241.06
39 Retainer, Flare (a)	R/L 11561878		.96
	<i>(a) As Required</i>		
40 Cover Pkg, Tonneau	Dealer Installed		12499433
			1200.00

INTERIOR TRIM H2 2003-05

Illustration Located in Next Column

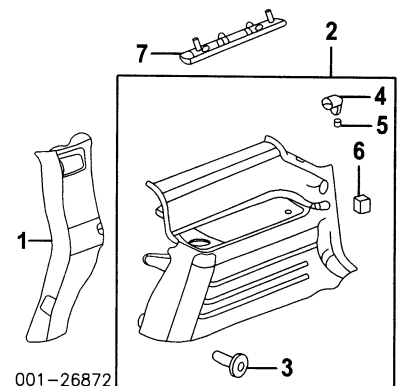
1 Panel, Lock Pillar Trim-See Rocker/Pillars/Floor Section		#.7	289.09
2 Panel, Side Trim	03-04 R 19121401	#.7	286.23
	L 19148788	#.7	286.23
	05 R 25819224	#.7	198.16
	L 15832121	#.7	283.83
	<i>#Includes R&R/R&R Lock Pillar Trim Panel</i>		
3 Retainer, Trim Panel (7/Side)	R/L 15111579		4.49
4 Retainer, Receptacle	R 12450047		5.34
5 Receptacle, Power	R 25774623		10.01



001-17975

6 Switch, Door Lock	R 15083089		28.36
7 Moulding, Window Garnish			
	2003 R 10358726	.2	48.58
	L 10358723	.2	446.26
	2004 R 10358726	.2	48.58
	To VIN 4H112737 L 10358723	.2	446.26
	From VIN 4H112738 L 10358723	.2	48.58
	L 10358723	.2	446.26
	2005 R 10358727	.2	47.30
	L 10358724	.2	47.30

INTERIOR TRIM H2 SUV 2006-07



001-26872

1 Panel, Lock Pillar Trim-See Rocker/Pillars/Floor Section		#.7	198.16
2 Panel Assy, Side Trim	R 25819224	#.7	283.83
	L 15832121	#.7	283.83
	<i>#Includes R&R/R&R Lock Pillar Trim Panel</i>		
3 Retainer, Receptacle [¶]	R 12450047		5.34
4 Receptacle, Power [¶]	R 25774623		10.01
5 Switch, Door Lock [¶]	R 15083089		28.36
	<i>¶Included w/Side Trim Panel Assy</i>		
6 Retainer, Trim Panel (7/Side)	R/L 15111579		4.49
7 Moulding, Window Garnish	R 10391807	.2	41.84
	L 10391805	.2	42.79

INTERIOR TRIM H2 SUV 2008-09

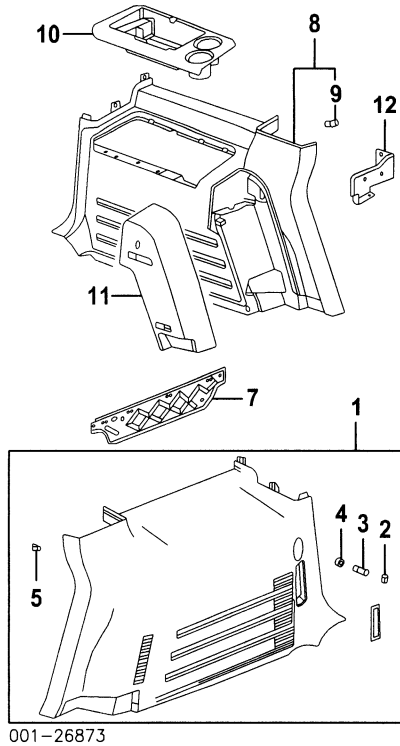
Illustration Located in Next Column

1 Panel Assy, Right Trim	R 25958042	.7	345.92
2 Receptacle, Power [¶]	R 15187371		6.14
3 Retainer [¶]	R 25774623		10.01
4 Retainer, Receptacle [¶]	R 25749635		5.22
5 Clip, Trim Panel [¶] (a)	R 11588650		3.68
	<i>¶Included w/Right Trim Panel Assy</i>		
	<i>(a) As Required</i>		
6 Bezel, Switch	R 15124700		7.87
7 Bracket, Trim	R 25789633		118.21
8 Panel Assy, Left Trim	L 25958044	.7	176.65
9 Clip, Trim Panel (a) (b)	L 11588650		3.68
	<i>(a) As Required</i>		
	<i>(b) Included w/Left Trim Panel Assy</i>		
10 Pocket, Front Panel	08 L 20794441	#.2	28.05
	09 L 20794441	#.2	28.05
11 Trim, Front Lower	L 25782245	#.3	61.34
	<i>#Included in R&R Trim Panel Assy</i>		
12 Reinf, Jack Brkt	L 15919576		59.79

HUMMER H2/H2 SUT 2003-09

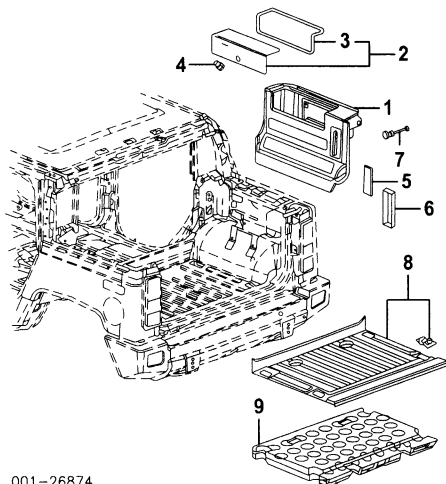
QUARTER PANEL Cont'd

INTERIOR TRIM
H2 SUV
2008-09 Cont'd



001-26873

INTERIOR TRIM
H2 SUT
2005-09



001-26874

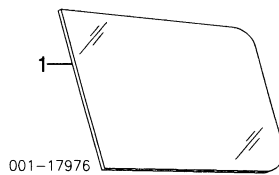
1 Panel, Side Trim	R 88980242	.7	252.74
	L 15211881	.7	101.91
2 Lid Assy, Storage Box	R 88980243		121.78
3 Seal, Lid	R 88980257		25.34
<i>#Included w/Storage Box Lid Assy</i>			
4 Cylinder, Lock	05-07 R 15298922		38.57
	08-09 R 15898568		59.42
5 Cover, Access Hole	R 88980255		29.93
6 Box, Side Storage	R 88980254		45.72
7 Receptacle, Power	R 15186332		58.90
Liner, Floor			
8 Outer	88980685	#.8	253.43
9 Inner	88980686	#.8	223.19

#R&R Complete

QUARTER GLASS

R&I Quarter Glass	R/L	#1.8
-------------------	-----	------

#Includes Clean Old Adhesive as Necessary



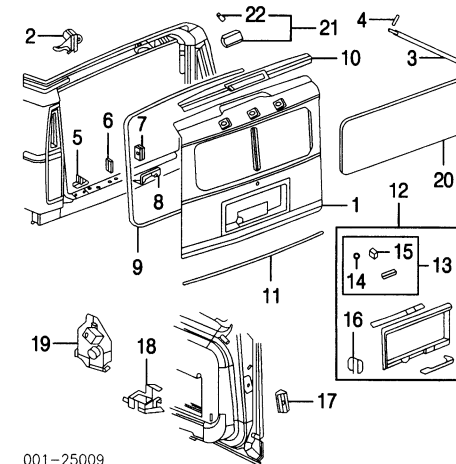
1 Glass, Quarter Hummer	03-07 R 15101579	#1.5	707.91
	L 15101578	#1.5	790.74
	08-09 R 15914842	#1.5	630.71
	L 15914841	#1.5	614.06
NAGS	03-07 R DQ10179YPY	#1.5	578.90
	L DQ10180YPY	#1.5	578.90
	08-09 R DQ11578YPY	#1.5	505.30
	L DQ11579YPY	#1.5	505.30
<i>#Includes Clean Old Adhesive as Necessary</i>			
Adhesive Kit	N.A.		0.00

LIFTGATE

Use Procedure Explanations 25 and 28 with the following text.

SHEET METAL/EXTERIOR TRIM

Refinish Liftgate Outside	2.2
Add for Underside	1.1
Refinish Liftgate Hinge	R/L .5
R&I Liftgate	1.0
R&I Liftgate Applique	#.5
R&I License Pocket Assy	#.6
<i>#Includes R&I Trim Panel</i>	
R&I Rear Clearance Lamp Assy	
Inner (3)	.1
Add to R&R Liftgate Panel	
To Transfer Liftgate Glass	.8



001-25009

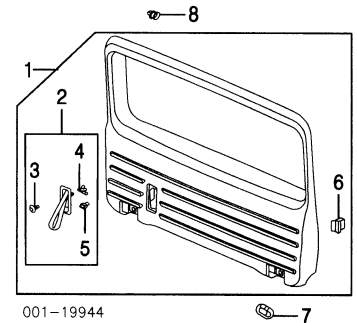
1 Panel, Liftgate	10384904	#4.0	945.53
<i>#Includes R&I/R&R Wiper Components</i>			
2 Hinge, Liftgate	R/L 88979799	#.3	53.60
<i>#w/Liftgate Removed</i>			
3 Strut, Liftgate			
	R 25997482	.2	27.37
	2003-08 L 25997481	.2	31.50
	2009		
	1st Design R 25997482	.2	27.37
	L 25997481	.2	31.50
	2nd Design R 25997482	.2	27.37
	L 25997481	.2	31.50
4 Stud, Ball (2/Side)	03-04 R/L 11517715		12.93
	05-09 R/L 11561330		11.95
5 Striker, Latch	R/L 15182587	.2	9.84
6 Protector, Wedge	R/L 10310141		4.60
7 Wedge, Body Side	R/L 10422037		4.86
8 Bracket, Handle	15067121		13.61
9 W/Strip, Liftgate (On Door)	1572338	.3	70.52
10 Applique, Liftgate	25894803	#.2	125.61
<i>#w/Liftgate Trim Panel Removed, Includes R&I/R&R High Mount Stop Lamp</i>			
Retainer, Applique (2)	11561878		.96
11 Moulding, Lower	03 21994821	.2	51.27
	04-09 21994821	.2	51.27
12 Pocket Assy, License			
	Chrome 15135442	#.3	473.22
	Black		
	2003-05 15135441	#.3	271.74
	2006-09 (c) 25833680	#.3	192.93
<i>(c) Order by Application</i>			
13 Lamp Assy, License	15060514	#.4	40.72
<i>#w/Liftgate Trim Panel Removed</i>			
14 Bulb, Lamp (a) (2)	9421330		.84
15 Socket, License Lamp (a) (2)	19120997	#10.08	
<i>(a) Included w/License Lamp Assy</i>			
16 Retainer Pocket (4)	11588650		3.68

<i>#Included w/License Pocket Assy</i>			
17 Wedge, Liftgate Side	R/L 15089910		28.34
18 Latch, Liftgate	R/L 15926026	#.3	88.54
<i>#w/Liftgate Trim Panel Removed</i>			
19 Control, Latch	15926027		281.50
20 Glass, Liftgate-See Glass & Parts Section			
21 Lamp Assy, Rear Inner Clearance (3)	25809313	.2	96.72
	9421330		.84
<i>(b) Included w/Rear Inner Clearance Lamp Assy</i>			
Strap Assy, Liftgate Pull-See Interior Trim Section			
Harness, Liftgate (c)	03-05 15231078		154.71
	06-09 15859802		140.47
<i>(c) Order by Application</i>			

INTERIOR TRIM

R&I Liftgate Trim Panel2
-------------------------	-------	----

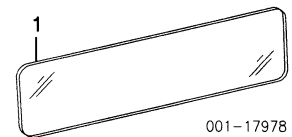
NOTE: All Parts in this section are included in R&R Trim Panel unless noted otherwise.



001-19944

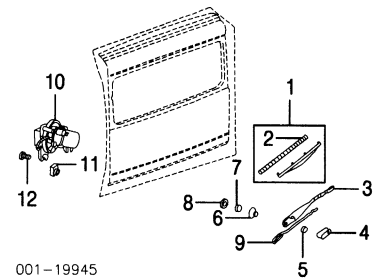
1 Panel Assy, Liftgate Trim	03-04 10358870	.2	458.21
	05-09 10392679	.2	412.52
2 Strap Assy, Liftgate Pull	03-04 15072789	.1	619.79
	05-09 10392674	.1	11.93
3 Screw, Strap Mtg (a)	11589014		4.46
4 Retainer, Screw (a)	25725191		3.82
5 Clip, Attaching (a)	15594543		5.21
<i>(a) Included w/Liftgate Pull Strap Assy</i>			
6 Clip, Trim Panel (12)	11588650		3.68
<i>#Included w/Liftgate Trim Panel Assy</i>			
7 Hook, Cargo (2)	03-05 15144442		25.79
8 Retainer, Trim Panel	R/L 15721297		.36

GLASS & PARTS



1 Glass, Liftgate			
	Hummer 15772337	#2.0	942.17
	NAGS		
	Green DB10181GTN	#2.0	560.70
	Gray Privacy DB10181YPN	#2.0	574.40
<i>#Includes Clean Up Old Adhesive as Necessary</i>			
Adhesive Kit	N.A.		0.00

WIPER SYSTEM



001-19945

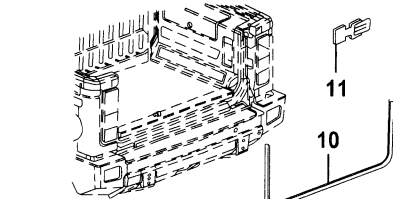
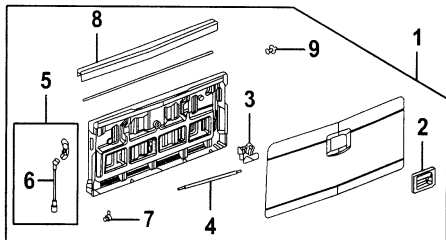
1 Blade Assy, Wiper	12335785	.1	#10.83
2 Blade, Insert	12335786	.1	#7.50
<i>#Included w/Wiper Blade Assy</i>			
3 Arm, Wiper	88944328	#.2	45.07
<i>#Includes R&R Wiper Blade</i>			
4 Cover, Arm	12335707		6.92
5 Nut, Arm	11589150		1.83
6 Cover, Pivot Shaft	15180183		20.49
7 Nut, Wiper Motor	1519619		7.26
8 Spacer, Wiper Motor	15284510		7.30
9 Nozzle, Washer	88944333		29.37
10 Motor, Wiper	03-07 15919492	#.3	297.32

	08-09 15248351	#.3	263.06
#w/Liftgate Trim Panel Removed			
11 Nut, Motor	11518121		1.84
12 Bolt, Motor	11517518		7.22
Pump, Washer-See Windshield Section			
Hose, Washer Nozzle			
Body Side-See Roof Section			
Liftgate Side	15179529		35.53

REAR GATE

Use Procedure Explanations 25 and 28 with the following text.

Refinish Tailgate Complete.....	2.9
Refinish Tailgate Outside.....	2.2
Refinish Tailgate Inside.....	1.0
R&I Tailgate Assy.....	.2



001-26875

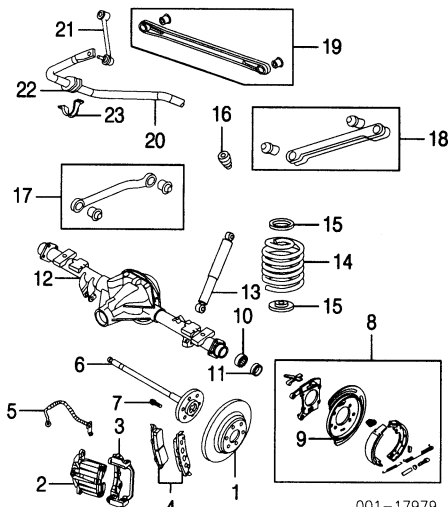
1 Tailgate Assy			
Black (RPO-41U)	05-09 25849288	.3	1100.05
Copper (RPO-55U)	09 25849294	.3	1107.96
Blue			
RPO-26U	08 25849285	.3	1055.20
RPO-27U	07 15894791	.3	924.12
RPO-48U	07-09 15894796	.3	1055.20
RPO-91U	06 15291435	.3	924.12
Gray			
RPO-16U	08-09 25849283	.3	1107.96
RPO-46U	05-08 15894795	.3	907.18
Orange			
RPO-28U	08-09 25849287	.3	1107.96
RPO-55U	06-07 15794207	.3	1139.95
Pewter (RPO-11U)	05-07 10382536	.3	778.90
Red			
RPO-49U	06-07 15250202	.3	778.90
	08-09 25849292	.3	1107.96
	05 15275454	.3	1107.96
	07 25849296	.3	1107.96
Redfire (RPO-72U)	05 10382540	.3	778.90
Sand (RPO-18U)	05-06 10382534	.3	778.90
Silver (RPO-17U)	08-09 25849284	.3	1107.96
White (RPO-50U)	05-08 15894798	.3	1029.03
Yellow (RPO-43U)	05-08 10382538	.3	778.90
2 Bezel, Handle		.1	70.49
3 Handle		#.3	43.83
#Includes R&R Handle Bezel			
4 Rod, Latch Release	88980702		133.10
5 Latch Assy, Gate	R 15938233	#.5	68.37
	L 15931521	#.5	65.58
#Includes R&R Handle			
6 Cable, Gate Support	(a)05-07 R/L 88980509-10	.2	14.71
	08-09 R/L 19179416-7	.2	0.00
(a) Included w/Gate Latch Assy			
7 Hinge, Gate Side	R 10382541	#.2	31.94
	L 15080226	#.2	21.31
#w/Tailgate Assy Removed			
8 Moulding, Upper Gate	88980701	.6	250.56
9 Striker, Latch	R/L 11570162		16.16
#Included w/Tailgate Assy			
10 W/Strip, Gate Opening (On Body)	15170074	.3	47.16
11 Emblem (Adhesive)			
"H2"			
2005-08	15771366	.2	39.77
2009			
w/Special Edition Pkg	20787683	.2	54.69
w/o Special Edition Pkg	15771366	.2	39.77
12 Hinge, Body Side	R 15078746	#.3	32.16
	L 15078745	#.3	32.69
#w/Tailgate Removed			

REAR SUSPENSION

Use Procedure Explanation 23 with the following text.

R&I Suspension/Axle Assy.....	m	2.5
Check Rear Alignment.....	m	.8
Add to Adjust Front Alignment.....	m	1.3
Bleed Brake System.....	m	1.0

NOTE: R&I/R&R Does Not include alignment or bleed brake system.



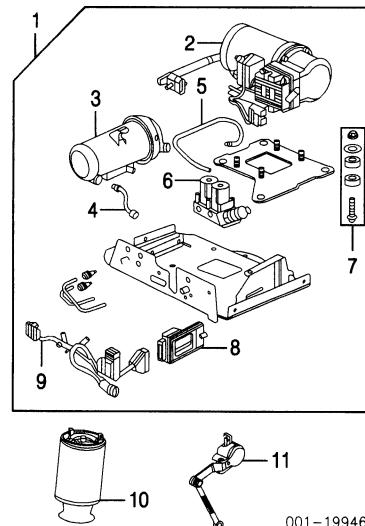
001-17979

1 Rotor, Brake	R/L 15712801	m	#.6	111.98
#R&R Both Sides 1.0				
2 Caliper, Brake	R 25848000	m	#.5	227.74
	L 18040100	m	#.5	d236.43
3 Bracket, Caliper	R 18040099	m	#.5	106.36
	L 25997048	m	#.5	106.31
#R&R One Side Complete, R&R Both Sides .8				
4 Pad Set, Brake		m	#1.0	143.03
2003-07	18041762			
2008	25976453		#1.0	154.28
2009	25924485		#1.0	m224.24
#Deduct .5 for Each Caliper Removed				
5 Hose, Brake	03-05 R 15852644	m	#.3	88.20
	L 15832643	m	#.3	89.61
	06-09 R 15852644	m	#.3	88.20
	L 15852643	m	#.3	89.61
#Order by Application				
#w/Caliper Removed Deduct .2				
6 Shaft, Axle	03-07 R/L 12479214	m	#1.3	714.81
	08-09 R/L 19168555	m	#1.3	714.81
#Includes R&R Rotor, R&R Both Sides 2.4				
7 Stud, Wheel (R/Side)	R/L 11588810	m	#.6	16
8 Brake, Parking	03-07 R/L 15888325	m	#.5	143.28
#w/Axle Shaft Removed				
9 Shield, Brake-Serviced w/Parking Brake				
10 Bearing, Wheel	R/L 9435561	m	#1.3	95.12
11 Seal, Housing	R/L 19180849	m	#1.3	17.52
#R&R One Side Complete, Includes R&R Axle & Rotor, R&R Both Sides 2.4				
12 Housing, Axle	03-05 12479199	m	#.6.3	1897.07
	06-09 19121939	m	#.6.3	2276.30
#Includes R&R Rotors, Axle Shafts, Bearings, Seals & Backing Plates				
Sensor, Rear ABS-See ABS/Brakes Section				
13 Absorber, Shock				
2003-07				
w/Off Road Pkg (RPO-ZM6)	R/L 15839042	m	#.8	m118.17
w/o Off Road Pkg	R/L 88965332	m	#.8	126.65
2008-09	R/L 15251934	m	#.8	126.20
#R&R Both Sides 1.4				
14 Spring, Coil	R/L 25956183-2	m	#.8	141.89
#R&R Both Sides 1.4				
15 Insulator, Spring (2/Side)	R/L 15765071	m		10.05
16 Spring, Aux				
w/Off Road Pkg (RPO-ZM6)	R/L 15062871	m		72.55
w/o Off Road Pkg	R/L 15057984	m		22.72
17 Arm, Upper Control	R/L 15767252	m	#.9	85.40
#R&R Both Sides 1.6				
18 Arm, Lower Control	03-05 R/L 15239738	m	#.6	50.15
	06-09 R/L 15286145	m	#.6	55.61
#R&R Both Sides 1.0				
19 Rod, Axle Tie	15039398	m	.7	66.19
20 Shaft, Stabilizer				
w/Off Road Pkg (RPO-ZM6)	03-07 15063127	m	#1.0	121.83
	08-09 15240964	m	#1.0	173.07
	03-07 15057869	m	#1.0	179.07
	08-09 15240965	m	#1.0	173.07
#Includes R&R Stabilizer Links, Clamps & Brackets				
21 Link, Stabilizer	R/L 15257472	m	.4	43.74
22 Bushing, Stabilizer Bar	R/L 14062929	m	#.3	11.88
23 Clamp, Bushing	R/L 889891781	m	#.3	5.48
#R&R One Side Complete				

LEVEL CONTROL 2003-04

Illustration Located in Next Column

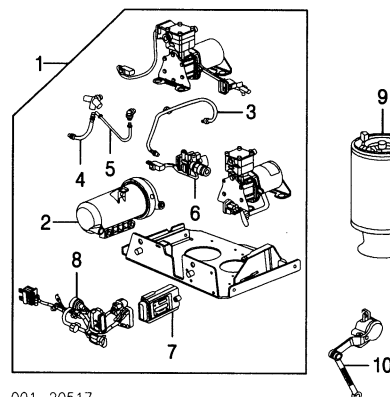
1 Compressor Assy, SLS	89038592	m	.8	1463.15
2 Compressor, Air	89038592	m	.8	1463.15
3 Drier, Compressor	88982410	m		311.06
Tube, Compressor Air				



001-19946

4 Short	88982466	m		12.16
5 Long	88982467	m		28.03
6 Valve, Control	88982408	m		590.15
7 Isolator, Auto Level	88982407	m		111.38
8 Module, Level Control	89060585	m	.8	396.99
9 Harness, Level Control	88982405	m		163.20
#Included w/SLS Compressor Assy				
10 Spring, Air	R/L 15938306	m	#.8	174.78
#R&R Both Sides 1.4				
11 Sensor, Level Control	R 15124929	m	.6	143.77
	L 15124930	m	.6	145.18
Tube, Air	R 25903601	m		81.86
	L 15178511	m		14.55

LEVEL CONTROL 2005-09



001-20517

1 Compressor Assy, SLS				
2005				
1st Design	89038592	m	.8	1463.15
2nd Design	89060581	m	.8	1698.96
2006-07	89060581	m	.8	1698.96
2008-09	25964200	m	.8	1022.65
	88982410	m	1.0	311.06
2 Drier, Compressor Air				
Tube, Compressor Air				
3 Drier to Valve	89060587	m		28.35
4 Drier to Manifold	88982467	m		28.03
5 Compressor to Compressor	89060588	m		14.54
6 Valve, Solenoid				
2005				
1st Design	88982408	m	.9	590.15
2nd Design	89060584	m	.9	560.76
2006-09	89060584	m	.9	560.76
7 Module, Level Control				
2003-07	89060585	m	.9	396.99
2008-09 (a)	25964781	m	.9	383.69
8 Harness, Level Control	(a) 89060586	m		217.75
#Included w/SLS Compressor Assy				
(a) Order by Application				
9 Spring, Air	R/L 15938306	m	#.8	174.78
#R&R Both Sides 1.4				
10 Sensor, Level Control	R 15124929	m	.6	143.77
	L 15124930	m	.6	145.18
Tube, Air	R 25903601	m		81.86
	L 15178511	m		14.55

FUEL TANK

2003

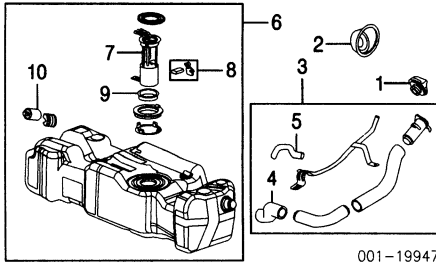
R&I Fuel Tank.....	m	1.7
--------------------	---	-----

HUMMER H2/H2 SUT 2003-09

FUEL TANK Cont'd

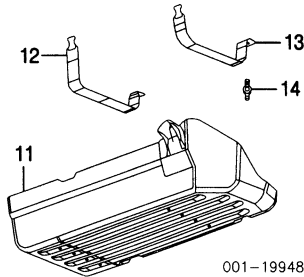
2003 Cont'd

NOTE: R&R Does Not include drain and refill.



001-19947

1 Cap, Filler	15064311		37.65
2 Housing, Filler Pipe	15903412		20.41
3 Pipe Assy, Fuel Filler	15191438		d227.25
4 Pipe, Lower	15191441		119.96
5 Hose, Vent	15191442		d120.16
*Included w/Fuel Filler Pipe Assy			
6 Tank Assy, Fuel	15203679	m	1.7 1445.19
7 Pump/Sender, Fuel (a)	19180102	m	2.0 407.65
8 Sensor, Level (a)	25358783	m	256.89
9 Seal, Sender (a)	15034832	m	16.61
10 Filter, Fuel (a)	88983068	m	0.00
(a) Included w/Fuel Tank Assy			



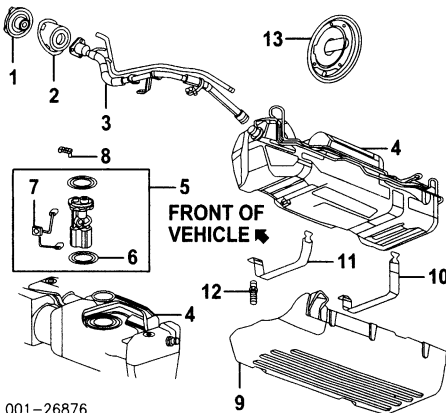
001-19948

11 Shield, Fuel Tank	25884456	.5	364.32
12 Strap, Front Mounting	15795684		31.45
13 Strap, Rear Mounting	15795683		32.67
14 Stud, Strap (2)	15724226		4.46

2004-09

R&I Fuel Tank.....m 1.7

NOTE: R&R Does Not include drain and refill.



001-26876

1 Cap, Filler			
Black	04-05 25827646		35.59
	06-07 25827646		35.59
Chrome	25835357		25.83
2 Housing, Filler Pipe	15903412		20.41
3 Pipe, Filler	04-06 25853757		177.97
	07 25853757		177.97
	08 15937674		157.73
	09 25784809		181.85
4 Tank, Fuel	88967295	m	1.7 1175.37
5 Pump/Sender Assy, Fuel	04-07 19167485	m	2.0 0.00
	08 19179566	m	2.0 468.27
	09 19206564	m	2.0 454.63
6 Seal, Pump/Sender	22682111	m	15.06
7 Sensor, Fuel Level	04-07 88965384	m	220.14
	08 19178003	m	123.81
	09 19206566	m	93.37
*Included w/Fuel Pump/Sender Assy			

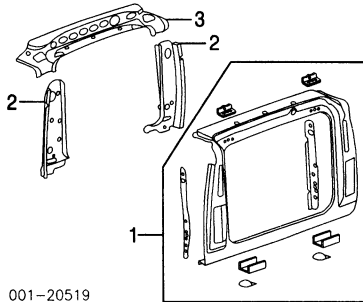
8 Sensor, Tank Pressure	04-07 16238399	m	86.63
	08-09 13502903	m	68.54
9 Shield, Fuel Tank	25884456	.5	364.32
10 Strap, Front Mounting	04-05 15795684		31.45
	06 15795684		31.45
	07-09 15795684		31.45
11 Strap, Rear Mounting	04-05 15795683		32.67
	06-09 15795683		32.67
12 Stud, Strap (2)	15724226		4.46
13 Door Kit, Fuel			
Factory Installed	06-07 15844367	.5	199.98
	08-09 25980675	.5	239.98
Dealer Installed	19159135	.5	200.00

REAR BODY

Use Procedure Explanations 26 and 28 with the following text.

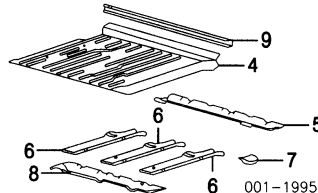
SHEET METAL H2 2003-05

Refinish Rear Body Panel	3.5
Add for Inside	1.7
Refinish Rear Floor Panel	1.5
Add for Underside	.8



001-20519

1 Panel, Rear Body	89025532	#14.5	1189.23
*w/Liftgate Removed, w/Roof Removed Deduct 3.0, w/Each Quarter Panel Removed Deduct 2.5			
2 Panel, Gate Opening	R 15773350	3.0	137.32
	L 15773349	3.0	136.06
3 Panel, Upper	15773342	3.5	301.24

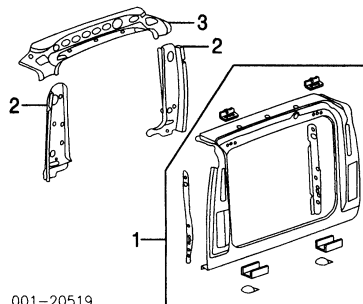


001-19950

4 Panel, Rear Floor	88944252	#7.5	328.32
*w/Rear Body Panel Removed			
5 Sill, No. 4 Cross	03 88944228	2.0	171.16
	04-05 88980622	2.0	175.44
6 Reinf, Rear Floor (3)	15059365	1.5	44.39
7 Spacer, Rear Floor	R/L 15059480	.3	18.53
8 Sill, No. 5 Cross	88944229	3.0	334.29
9 Sill, Rear Cross	15098181	2.0	64.39

SHEET METAL H2 SUV 2006-09

Refinish Rear Body Panel	3.5
Add for Inside	1.7
Refinish Rear Floor Panel	1.5
Add for Underside	.8

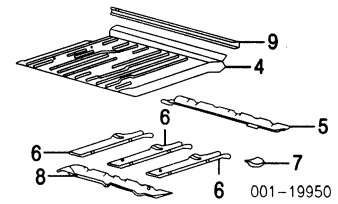


001-20519

1 Panel, Rear Body	89025532	#14.5	1189.23
*w/Liftgate Removed, w/Roof Removed Deduct 3.0, w/Each Quarter Panel Removed Deduct 2.5			
2 Panel, Gate Opening	06-07 R 15773350	3.0	137.32

L 15773349	3.0	136.06
08-09 R 15148328	3.0	137.32
L 15148329	3.0	150.33
06-07 15773342	3.5	301.24
08-09 15148327	3.5	220.93

3 Panel, Upper

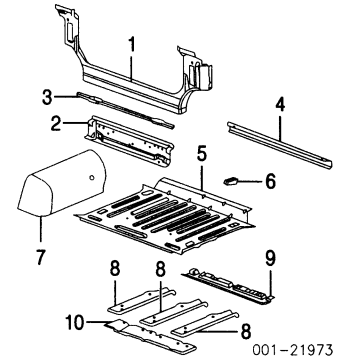


001-19950

4 Panel, Rear Floor	2006-07	88944252	#7.5	328.32
*w/Rear Body Panel Removed				
2008-09-Not Serviced				
5 Sill, No. 4 Cross	06-07	88980622	2.0	175.44
	08-09	15148234	2.0	39.66
6 Reinf, Rear Floor	2006-07 (3)	15059365	1.5	44.39
	2008-09 (2)	15059365	1.5	44.39
Reinf, Center (2)	08-09	15148236		9.95
7 Spacer, Rear Floor	R/L	15059480	.3	18.53
8 Sill, No. 5 Cross		88944229	3.0	334.29
9 Sill, Rear Cross		15098181	2.0	64.39

SHEET METAL H2 SUT 2005-09

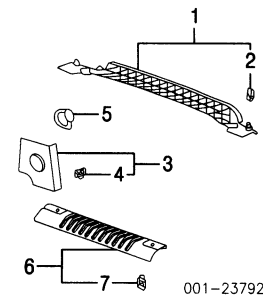
Refinish Rear Body Panel	2.0
Add for Inside	.8
Refinish Rear Floor Panel	1.5
Add for Underside	.8



001-21973

1 Panel, Rear Body	10381649	#6.5	218.03	
*Includes R&I Tailgate, w/Quarter Panel Removed Deduct 1.0				
2 Panel, Rear Sill	88980694	2.0	207.11	
3 Reinf, Rear	15098259	1.0	39.17	
4 Sill, Rear Cross	05-07 15098181	2.0	64.39	
	08-09 15148234	2.0	39.66	
5 Panel, Rear Floor	05-07 15098144	#7.5	312.20	
	08-09 25880821	#7.5	257.73	
*w/Rear Body Panel Removed				
6 Valve, Drain (4)	15126861		9.18	
7 Panel, Inner Whilse	R 10370686	6.0	88.07	
	L 15773367	6.0	135.95	
8 Reinf, Floor	2005-07 (3)	15059365	1.5	44.39
	2008-09 (2)	15059365	1.5	44.39
9 Sill, Rear Floor		88980695	1.0	93.09
10 Sill, Rear Inner		88944229	3.0	334.29

INTERIOR TRIM



001-23792

1 Panel Assy, Upper Trim			
H2	03-04 10358720	.2	d46.76
	05 10358721	.2	46.76
H2 SUV	06-07 10391802	.2	30.72
	08 25921279	.2	76.88
	09 25921279	.2	76.88

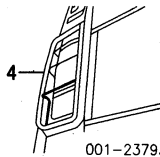
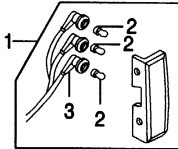
HUMMER H2/H2 SUT 2003-09

2 Clip, Upper Trim (a) (2)	11588650	3.68
<i>(a) Included w/Upper Trim Panel Assy</i>		
3 Panel Assy, Corner Trim H2		
2003	R 10358738	.2 154.94
	L 10358735	.2 155.33
2004		
To VIN 4H112737	R 10358738	.2 154.94
	L 10358735	.2 155.33
From VIN 4H112738	R 10358739	.2 134.04
	L 10358736	.2 131.09
2005		
	R 10358739	.2 134.04
	L 10358736	.2 131.09
H2 SUV	06-09 R 10391811	.2 102.41
	L 10391809	.2 102.41
4 Retainer, Corner Trim (b) (4/Side)	R/L 11588650	3.68
<i>(b) Included w/Corner Trim Panel Assy</i>		
5 Speaker, Rear		
H2	03-05 R/L 15054683	#.2 77.54
H2 SUV	06-09 R/L 15054683	#.2 77.54
<i>#w/Upper Corner Trim Panel Removed</i>		
6 Plate Assy, Sill		
H2	03-04 10358867	.2 d83.34
	05 10358868	.2 43.79
H2 SUV	06-09 10392652	.2 42.07
7 Retainer, Sill Plate (c)		
Ebony	05-09 11588650	3.68
Wheat	15721297	.36
<i>As Required</i>		
<i>(c) Included w/Sill Plate Assy</i>		

REAR LAMPS

COMBINATION LAMP

R&I Combination Lamp Assy	R/L	.2
R&I Lamp Guard	R/L	.2
R&R Lamp Guard	R/L	.2

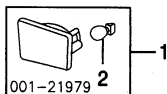


001-23793

1 Lamp Assy, Combination		
H2	03-04 R 15193459	.2 281.18
	L 15193458	.2 282.55
	05 R 25874014	.2 208.90
	L 10367732	.2 261.63
H2 SUV	06-07 R 25874014	.2 208.90
	L 10367732	.2 261.63
	08-09 R 25874014	.2 208.90
	L 25784335	.2 207.06
H2 SUT	05-09 R/L 25784334	.2 201.96
	L 25784335	.2 207.06
2 Bulb, Lamp (3/Side)		
H2	03-05 R/L 12450182	#.2 10.10
H2 SUV	06-07 R/L 12450182	#.2 10.10
	08-09 R/L 9441839	#.2 3.35
H2 SUT	05-09 R/L 9441839	#.2 3.35
<i>#Included in R&R Combination Lamp</i>		
3 Harness, Rear Lamps Wire	03-07 R/L 12335953-4	9.24
	08-09 R/L 19177219	46.43
<i>#Included w/Combination Lamp Assy</i>		
4 Guard Kit, Lamp		
Dealer Installed		
Black	17801243	# 240.00
Chrome		
H2	05 17801242	# d363.00
H2 SUV	06-08 17801242	# d363.00
	09 N.A.	# 0.00
H2 SUT	05-08 17801244	# 363.00
	09 N.A.	# 0.00
<i>#See Headnotes for Labor Time</i>		

BACK-UP LAMP

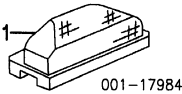
R&I Back-Up Lamp Assy	R/L	.2
-----------------------	-----	----



001-21979

1 Lamp Assy, Back-Up	05-09 R 25952324	.2 107.03
	L 25952325	.2 105.66
2 Bulb, Back-Up (1)	05-09 R/L 12450108	#.2 4.09
<i>#Included w/Back-Up Lamp Assy</i>		
<i>#Included in R&R Back-Up Lamp Assy</i>		

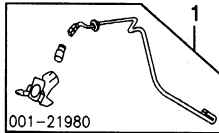
LICENSE LAMP 2003-05



001-17984

1 Lamp Assy, License-See Liftgate Section

LICENSE LAMP 2006-09

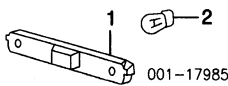


001-21980

1 Lamp Assy, License-See Wheel Section

SIDE MARKER LAMP

R&I Side Marker Lamp	R/L	#.2
<i>#Included in R&R Quarter Panel</i>		

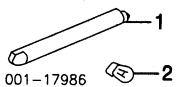


001-17985

1 Lamp, Side Marker	R/L 15114677	#.2 116.96
<i>#Included in R&R Quarter Panel</i>		
2 Bulb, Marker	R/L N.A.	#.2 0.00
<i>#Included in R&R Side Marker Lamp</i>		

HIGH MOUNT STOP LAMP

R&I Stop Lamp		#.1
<i>#w/Liftgate Trim Panel Removed</i>		



001-17986

1 Lamp, Stop	15145321	#.1 168.66
2 Bulb, Stop Lamp (1)	N.A.	#.1 0.00
<i>As Required</i>		
<i>#R&R Complete, w/Liftgate Trim Panel Removed</i>		

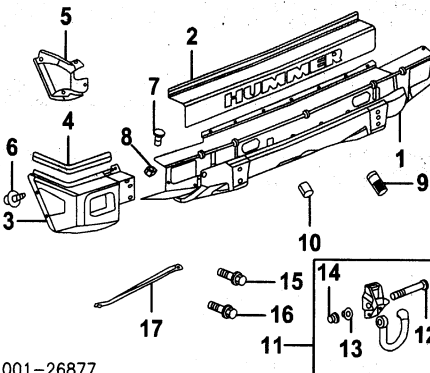
REAR BUMPER

Use Procedure Explanations 27 and 28 with the following text.

H2 2003-05

Refinish Impact Bar	1.0
R&I Bumper Assy	.6
O/H Bumper Assy (Includes R&I)	1.2
Add to R&I/R&R or O/H Rear Bumper w/Spare Tire Carrier	.8

NOTE: All Parts in this section are included in overhaul unless noted otherwise.



001-26877

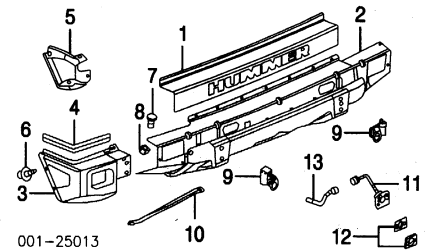
1 Bar, Impact	12335668	.8 309.20
2 Cover, Bar	12335667	.8 218.57
3 Cap, Bumper End	R 12335666	#.2 182.46
	L 12335665	#.2 183.54
<i>#w/Rear Bumper Removed</i>		
4 Moulding, Bumper Outer	R 12335676	68.65

5 Support, Bumper End	L 12335677	69.77
	R 12335670	1.0 148.15
	L 12335669	1.0 153.61
6 Retainer, Fascia (3/Side)	R/L 10134407	.85
7 Bolt, Attaching (5/Side)	R/L 11519771	5.26
8 Nut, Bolt (4/Side)	R/L 11516781	4.82
Nut, Cover Retainer		
9 Nut, Cover Retainer	11516763	4.25
10 Plug, Harness-See Frame Section		
11 Hook Assy, Tow	R/L 15109572	.2 158.87
12 Bolt, Hook Brkt (b)	R/L 11562051	15.56
Washer, Bolt		
13 Washer, Bolt (b)	R/L 15204555	14.44
Nut, Bolt (b)		
14 Nut, Bolt (b)	R/L 11589152	7.05
<i>(b) Included w/Tow Hook Assy</i>		
15 Bolt, Upper Mounting (2/Side)	R/L 11561764	3.51
16 Bolt, Lower Mounting (2/Side)	R/L 11518591	4.04
17 Bracket, Bumper Support	R 15115464	82.48
	L 15115463	77.31

H2 SUV 2006-09

Refinish Impact Bar	1.0
R&I Bumper Assy	.6
O/H Bumper Assy (Includes R&I)	1.2
Add to R&I/R&R or O/H Rear Bumper w/Rear View Camera	.6

NOTE: All Parts in this section are included in overhaul unless noted otherwise.



001-25013

1 Cover, Bar	89026784	.8 219.20
2 Bar, Impact		
w/Rear View Camera	19178227	1.2 912.64
w/o Rear View Camera	19121393	1.2 908.71
3 Cap, Bumper End	R 89026959	#.2 161.88
	L 89026960	#.2 159.59
<i>#w/Rear Bumper Removed</i>		
4 Moulding, Bumper Outer	R 12335676	68.65
	L 12335677	69.77
5 Support, Bumper End	R 12335670	1.0 148.15
	L 12335669	1.0 153.61
6 Retainer, Fascia (3/Side)	R/L 10134407	.85
7 Bolt, Attaching (5/Side)	R/L 11519771	5.26
8 Nut, Bolt (1)	R/L 11516781	4.82
<i>As Required</i>		
9 Latch Assy, Support-See Wheel Section		
10 Bracket, Bumper Support	R 15115464	82.48
	L 15115463	77.31
11 Camera, Rear View	06-07 25824429	#.4 360.37
	08-09 15907724	#.4 369.37
	25824442	# 17.83
12 Bracket, Camera	06 15296898	#.2 271.14
13 Harness, Rear View Camera	07-09 N.A.	#.2 0.00
<i>#w/Rear Bumper Removed, Not Included in R&R or O/H</i>		

H2 SUT 2005-09

Refinish Impact Bar	1.0
R&I Bumper Assy	.6
O/H Bumper Assy (Includes R&I)	1.2
Add to R&I/R&R or O/H Rear Bumper w/Spare Tire Carrier	.8
w/Rear View Camera	.6

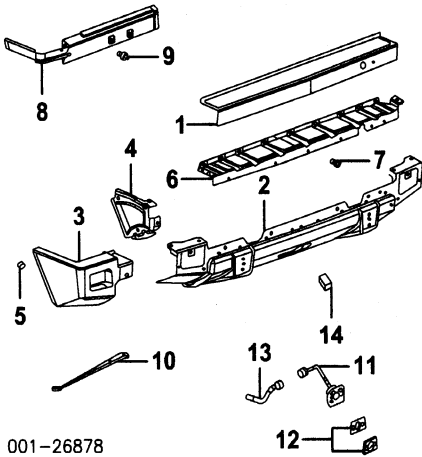
NOTE: All Parts in this section are included in overhaul unless noted otherwise.

Illustration Located in Next Column

1 Cover, Bar		
2005-07	88980684	.8 186.25
2008		
1st Design	88980684	.8 186.25
2nd Design	N.A.	.8 0.00
2009	N.A.	.8 0.00
2 Bar, Impact		
2005-07	88980629	1.2 483.03
2008 (P)	19178228	1.2 920.46
2009	N.A.	1.2 0.00
<i>(P) Paint to Match</i>		
3 Cap, Bumper End	05-08 R 88980634	#.2 146.57
	L 88980633	#.2 150.10
	09 R/L N.A.	#.2 0.00
<i>#w/Rear Bumper Removed</i>		
4 Support, Bumper End (1)	05-08 R 12335670	1.0 148.15
	L 12335669	1.0 153.61

REAR BUMPER Cont'd

H2 SUT
2005-09 Cont'd



001-26878

5 Retainer, Fascia (3/Side)	09 R/L N.A.	1.0	0.00
6 Support, Center	R/L 10134407		.85
	05-08 88980630	IOH	268.73
	09 N.A.	IOH	0.00
7 Bolt, Mtg (15)	11589032		2.20
<i>Included w/Face Bar Assy</i>			
8 Panel, Filler	R/L 15194500-1		60.71
9 Retainer, Filler (4/Side)	R/L 15149708		1.05
10 Bracket, Outer	R 15115464		82.48
	L 15115463		77.31
11 Camera, Rear View	07 25824429	#.4	360.37
	08-09 15907724	#.4	369.37
12 Bracket, Camera	07 25824442	#	17.83
	08-09 25824442	#	17.83
13 Harness, Rear View Camera	15296898	#	271.14
<i>#w/Rear Bumper Removed, Not Included in R&R or O/H</i>			
14 Plug, Harness-See Frame Section			